



HVAC/REFRIGERATION PRESSURE SENSOR

81CP52-01, 82CP59-01, 82CP60-01 and 82CP61-01

WORLD CLASS PERFORMANCE

The 81/82CP Series is ideal for demanding Air Conditioning and Refrigeration applications where long-term reliability & accuracy is a must. This series provides proven reliability at a competitive price.

Sensata Technologies has been a leading global supplier of pressure sensors & switches for over 50 years.

Features & Benefits

- UL recognized
- Ceramic capacitive sensor
- Durable, compact design
- Low cost
- Accurate performance over wide temperatures
- Overvoltage and short circuit protected

Applications

- Discharge and suction pressure monitoring
- Subcooling and superheat calculations
- Compressor oil pressure monitoring
- Condenser fan control
- Compressor staging and unloading
- Electronic expansion valve control
- Remote systems diagnostics and trending

Technical Specifications

Pressure Ranges

0-10 Bar(a)	81CP52-01
0-20 Bar(a)	82CP59-01
0-35 Bar(a)	82CP60-01
0-46 Bar(a)	82CP61-01

Performance

Accuracy ±0.6% F.S. typ.
(linearity, hysteresis, repeatability, and calibration)

Static Error Band @ 25°C, 5.0 VDC

Total Error Band:

-20°C to +85°C ±0.8% F.S. typ.

-40°C to +125°C ±1.0% F.S. typ.

(Values are typical. Higher accuracies are possible, consult factory.)

Operating Temperature -40°C to 135°C

Storage Temperature -40°C to 150°C

Physical

Proof Pressure.....	81CP52-01	3.5X
	82CP59-01	3X
	82CP60-01	2X
	82CP61-01	2X

Burst Pressure 110 Bar(a)

Cycle Life 10M F.S. cycles

Random Vibration (50-2000 Hz) 11 g

Drop (any Axis) 1.5 m

Electrical Connection ... Nema 4X, IP65

Electrical

Supply Voltage (V_{in}) 4.5 to 5.5 Vdc

Output Voltage (V_{out}) 0.5 to 4.5 Vdc typical

Supply Current 8 mA max
(Max @ 5.5Vdc with no load)

Output Current 2.5 mA
(Max sink or source)

Output Load 10K ohms typical

Output Response Time 10 mS

Overvoltage Protection 16 Vdc

Reverse Voltage -14 Vdc

Short Circuit Protected Yes

EMC (512 MHz-1 GHz) 50 V/m

EMC (1 MHz-512 MHz) 100 V/m

ESD (CDF-AEC-Q100-002) 15kV

Agency

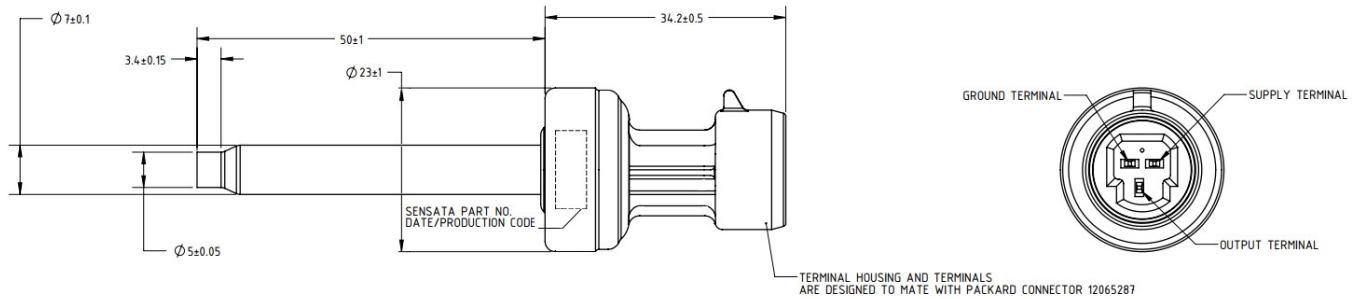
UL recognized File #SA995
(up to 22 Bar application pressure)

RoHS compliant according 2002/95/EC

HVAC/REFRIGERATION PRESSURE SENSOR

81CP52-01, 82CP59-01, 82CP60-01 and 82CP61-01

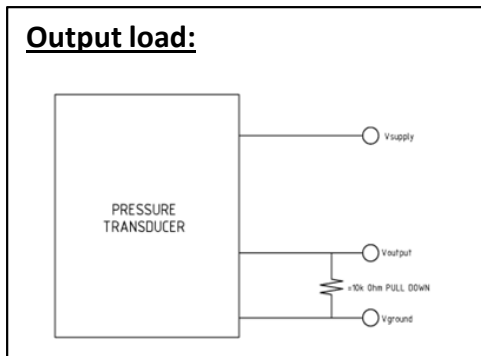
Dimensions



Material:

Housing.....Stainless Steel
 Connector.....Polyetherimide Resin (PEI) 20% Glass, Color Black
 Tube.....CDA122 Copper

Output load:



Refrigerant Compatibility	Seal Material	Maximum Seal Temperature Range
R12 R22 R134a R404a R407c R410a R502 R507	Neoprene*	-40°C to 120°C
R134a R404a R407c R410a R507	HNBR (Hydrogenated Nitrile)*	-20°C to 135°C

* Seal selection also depends on oil type used.



The World Depends on Sensors and Controls

Sensata Technologies

529 Pleasant Street, MS B19
 Attleboro, MA 02703-2964
 Phone 1-888-438-2214
 Fax: 508-236-2349
 email: sensors@sensata.com
www.sensata.com

Important Notice: Sensata Technologies (Sensata) reserves the right to make changes to or discontinue any product or service identified in this publication without notice. Sensata advises its customers to obtain the latest version of the relevant information to verify, before placing any orders, that the information being relied upon is current. Sensata assumes no responsibility for infringement of patents or rights of others based on Sensata applications assistance or product specifications since Sensata does not possess full access concerning the use or application of customers' products. Sensata also assumes no responsibility for customers' product designs.