

S X ? ?

?

SERIES

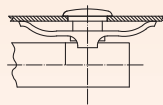
CUT OUT

DRAWING

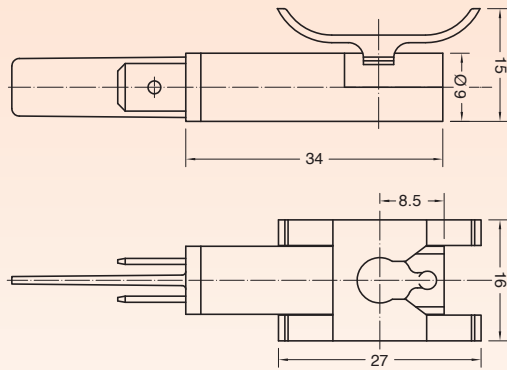
27



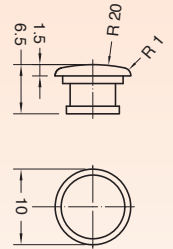
○
ø 8 mm
th 0.5 ... 2 mm



M No lens



P Drawing M + lens



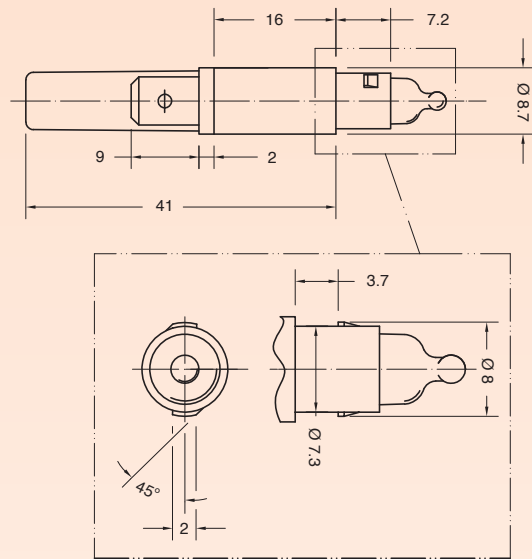
Lens available also separately SX27TP...

28

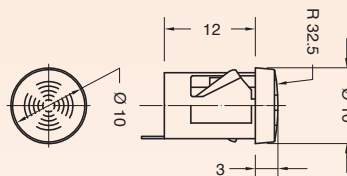


Custom

9 No lens

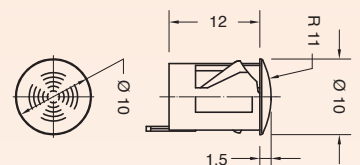


6 Drawing 9 + lens



Lens available also separately SX28T6...

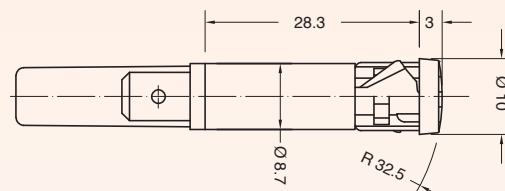
F Drawing 9 + lens



Lens available also separately SX28TF...

Further lens shapes available on demand

H One piece



○
ø 9 mm
th 0.5 ... 2 mm



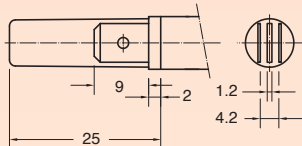
○
ø 9 mm
th 0.5 ... 2 mm

S	X	SERIES	DRAWING	TERMINAL	FUNCTION	VOLTAGE	TEMP.	COLOUR	WIRES	0	0

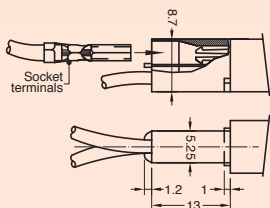
?	?	?	?	?	?	?	?	?	?	0	0
---	---	---	---	---	---	---	---	---	---	---	---

TERMINAL

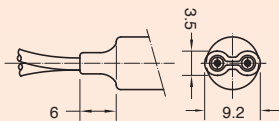
1 Series 27 - 28
Tabs 6.3 x 0.8



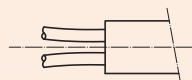
C Series 27 - 28
Signal Click



K Series 28
Wires crimped



R Series 27 - 28
Wires sealed



FUNCTION

1 Series 27 - 28



Neon or Fluorescent lamp

2 Series 27 - 28



Neon or Fluorescent lamp with anti-luminescence

3 Series 27 - 28



Incandescent lamp

5 Series 27 - 28



LED
DC or AC current
2 ÷ 24 V

6 Series 28
Terminal 1



LED
AC current
110 ÷ 250 V

7 Series 28
Terminal C - K - R



LED
AC current
110 ÷ 250 V

VOLTAGE

1 Function 5

2 V

2 Function 3 - 5

12 V

3 Function 3 - 5

24 V

4 Function 1 - 2 - 6 - 7

110 V

5 Function 1 - 2 - 6 - 7

125 V

6 Function 1 - 2 - 6 - 7

230 V

7 Function 1 - 2 - 6 - 7

250 V

8 Function 1 - 2

400 V

VDE or UL certified

?

Available on demand

X

Custom

TEMPERATURE

A

T 75 °C

1 Function 1 - 2 - 3

T 90 °C

2 Function 1 - 2

T 120 °C

3 Function 1 - 2

T 150 °C

COLOUR

NO LENS ✖



red light



green light

ILLUMINATED ✖



red



orange



green



white



custom

WIRES

000 Terminal 1 - C

Indicator light without wires

??? Terminal K - R

Indicator light with wires

Wires Material:

- PVC (up to T90 °C)
- SILICONE (up to T200 °C)

Wires Length:

from 60 mm to 600 mm (special version available up to 1.450 mm)

Wires Ends:

- pre-stripped (from 5.5 to 18 mm)
- stripped (from 5.5 to 18 mm)
- not stripped
- crimp terminals