

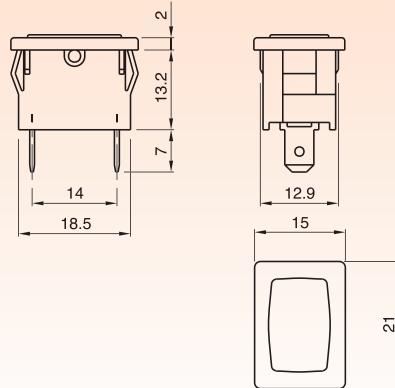


A5

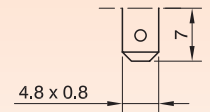
| | |
|--------------------------------|---------------------------|
| FUNCTION | Indicator light A1 series |
| AMBIENT TEMPERATURE | 125 °C |
| GWT | 850 °C |
| GWT NO FLAME (<2sec) | 650 °C |

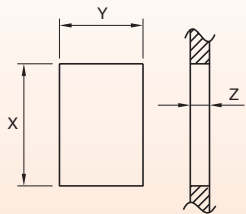

A
5

DRAWING


?

TERMINAL

1




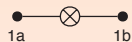
| Z | Y | X |
|--------------|-----------|-----------|
| 0,7 ... 1,25 | 13,0 ±0,1 | 19,0 ±0,2 |
| 1,25 ... 2,0 | 13,0 ±0,1 | 19,3 ±0,2 |
| 2,0 ... 3,0 | 13,0 ±0,1 | 19,6 ±0,2 |

A 5
TERMINAL FUNCTION RATING BODY COLOR LENS COLOR
0 0 0 0 0

?

FUNCTION

1



?

RATING

2

200 - 250 VAC
T125 °C
VDE 710

200 - 250 VAC
T65 °C
UL 496
CSA C22.2

?

BODY COLOR

1

black

X

?

custom

?

LENS COLOR

ILLUMINATED ✨

G

red

H

orange

E

green

X

?

custom

0 0 0 0 0