

S X ? ?

?

SERIES

CUT OUT

DRAWING

41

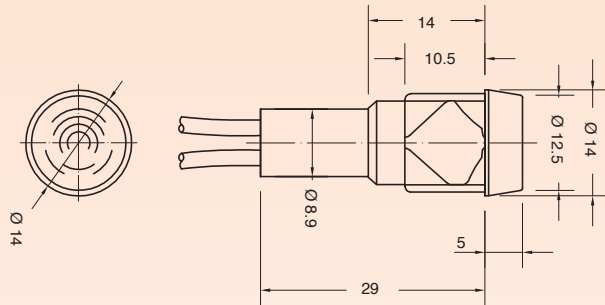


○
ø 12 mm
th 0.8 ... 2 mm

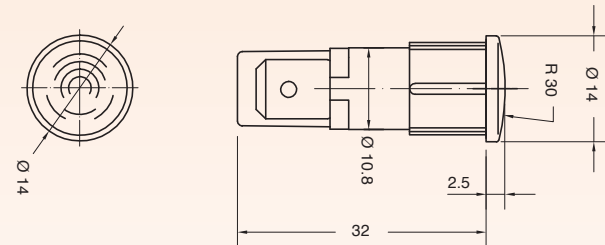


○
ø 12 mm
th 0.8 ... 2 mm

1



2

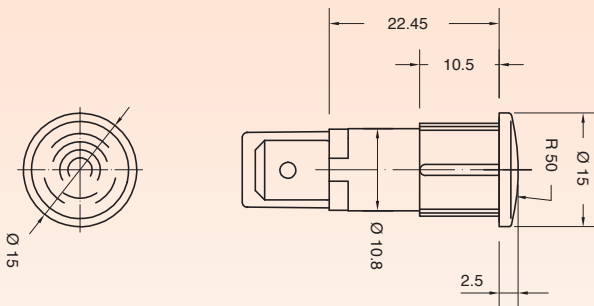


43



○
ø 13 mm
th 0.8 ... 2 mm

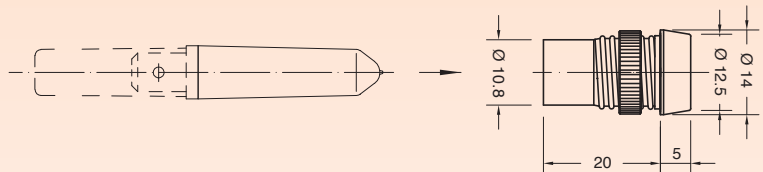
2



ACCESSORY LENSES FOR SERIES SX213...

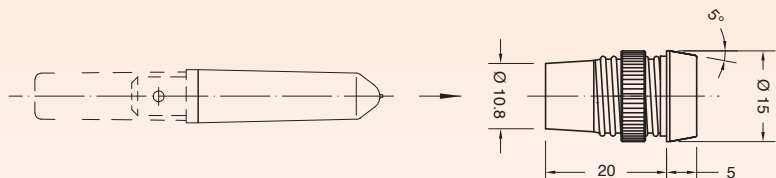
SX21T511...

○
ø 12 mm
th 0.8 ... 6.5 mm



SX21T531...

○
ø 13 mm
th 0.8 ... 6.5 mm

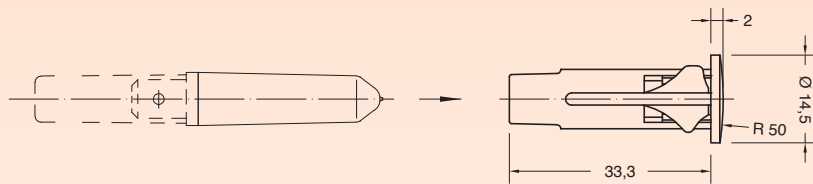


S	X	SERIES	DRAWING	TERMINAL	FUNCTION	VOLTAGE	TEMP.	COLOUR	WIRES	0	0
---	---	--------	---------	----------	----------	---------	-------	--------	-------	---	---

?	?	?	?	?	?	?	?	?	?	?	0	0
TERMINAL	FUNCTION	VOLTAGE	TEMPERATURE	COLOUR	WIRES							
<p>1 Series 41 - 43 Tabs 6.3 x 0.8</p> <p>R Series 41 Wires sealed</p>	<p>1</p> <p>2</p> <p>3</p> <p>5</p> <p>6 Terminal 1</p> <p>7 Terminal R</p>	<p>1 Function 5 2 V</p> <p>2 Function 3 - 5 12 V</p> <p>3 Function 3 - 5 24 V</p> <p>4 Function 1 - 2 - 6 - 7 110 V</p> <p>5 Function 1 - 2 - 6 - 7 125 V</p> <p>6 Function 1 - 2 - 6 - 7 230 V</p> <p>7 Function 1 - 2 - 6 - 7 250 V</p> <p>8 Function 1 - 2 400 V</p> <p>VDE or UL certified</p> <p>? Available on demand</p> <p>X Custom</p>	<p>A T 75 °C</p> <p>1 Function 1 - 2 - 3 T 90 °C</p> <p>2 Function 1 - 2 T 120 °C</p> <p>3 Function 1 - 2 T 150 °C</p>	<p>ILLUMINATED ✨</p> <p>G red</p> <p>H orange</p> <p>E green</p> <p>L white</p> <p>X custom</p> <p>?</p>	<p>000 Terminal 1 - C Indicator light without wires</p> <p>??? Terminal K - R Indicator light with wires</p> <p>Wires Material:</p> <ul style="list-style-type: none"> PVC (up to T90 °C) SILICONE (up to T200 °C) <p>Wires Length: from 60 mm to 600 mm (special version available up to 1.450 mm)</p> <p>Wires Ends:</p> <ul style="list-style-type: none"> pre-stripped (from 5.5 to 18 mm) stripped (from 5.5 to 18 mm) not stripped crimp terminals 							

SX21T572...
with antirotation rib

ø 10.2 mm
 th 0.8 ... 2 mm



SX21T572...
without antirotation rib

SX21T592...

ø 13 mm
 th 0.5 ... 2.5 mm

