

STF

10 A / 250 VAC EN 60320
 10 A / 250 VAC
 15 A / 125 VAC
 UL 498

TYPICAL APPLICATIONS Ironing systems, appliance inlet for cold/warm conditions with earthing contact, mounting hole with 90° countersink

WIRING DIAGRAMS 2-pole + earth

CUT OUT screw fixing

GWT 850 °C

GWT NO FLAME (<2sec) 750 °C on demand

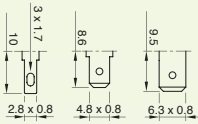


CUT OUT

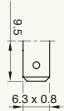
Mounting hole 90° countersink
 On small side

DRAWING

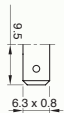
STF...
 C14
 Class I
 T 70 °C



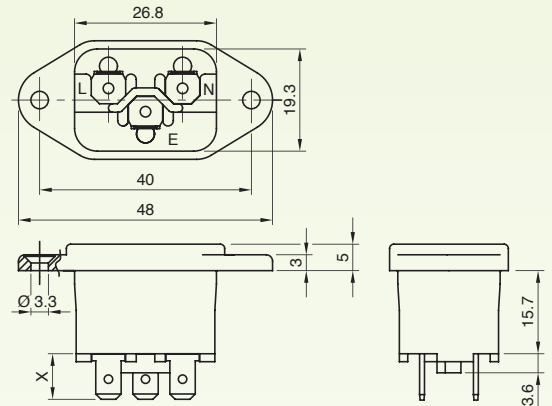
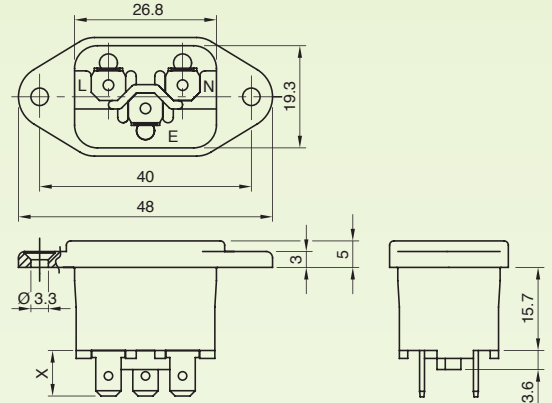
STF...
 C16
 Class I
 T 120 °C



STF...
 C16
 Class I
 T 120 °C



Mounting hole 90° countersink
 On small side



Mounting hole 90° countersink
 On large side

