

on demand

SHADED POLE MOTOR Ø 58

FEATURES

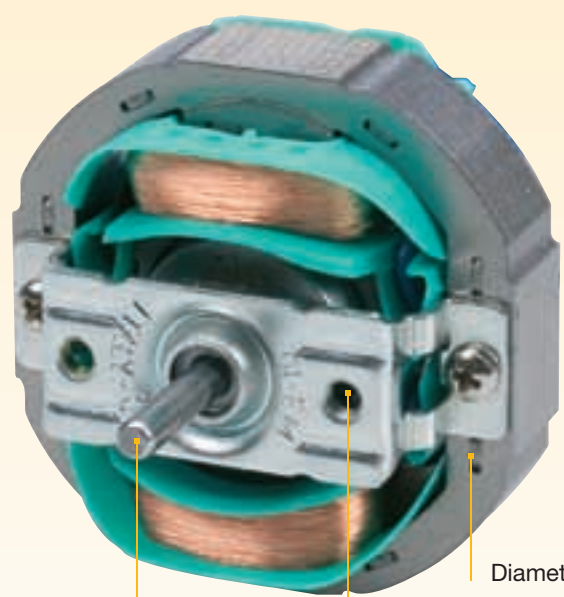
Motor life: from 3.000 hours (brass bearings) to 30.000 hours (ball bearings)

Heat and fire resistance version available
GWIT 775 °C

2-speed version available

Class of insulation according to IEC 85: B or F

Voltage: 12 - 110 - 230 - 240 VAC



Shaft diameter 4 mm;
clock-wise and counter clock-wise

Diameter: 58 mm

Fixing holes threaded M4

OPTIONS



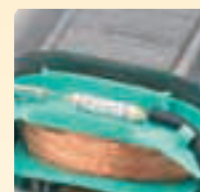
Shaft can be smooth, milled or with grooves with length on demand



Brass bearings or ball bearings



Stack height from 16 to 30 mm



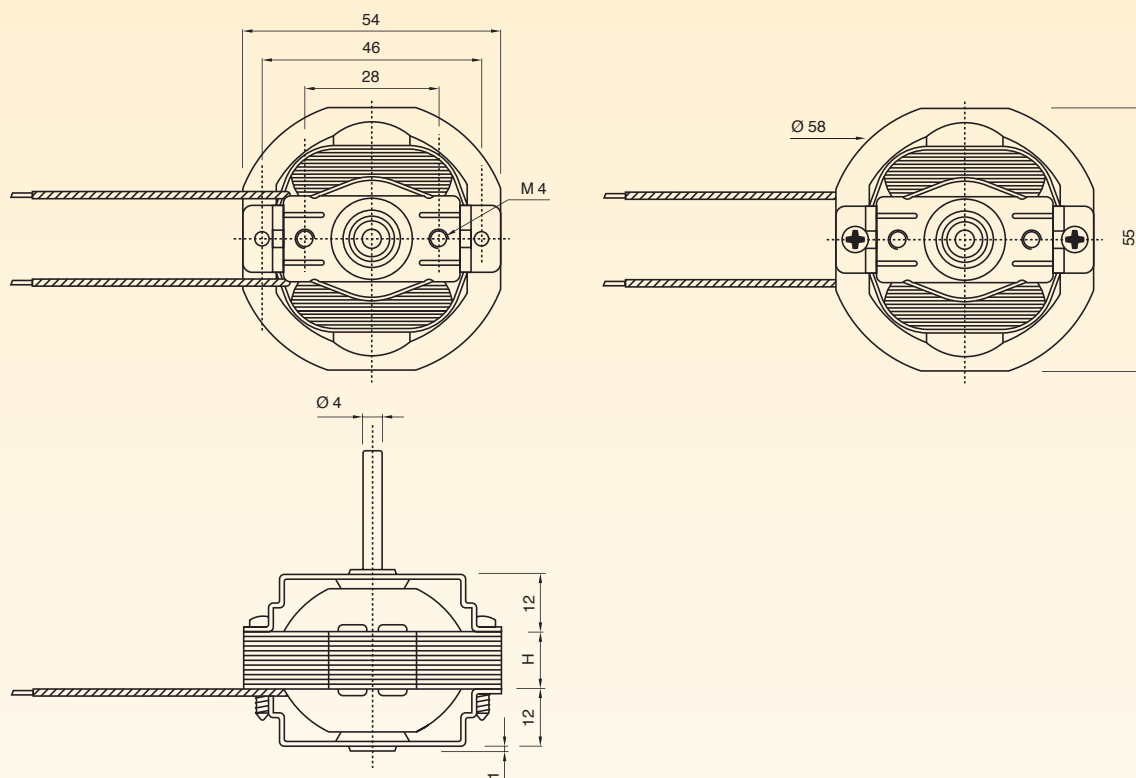
Fuse



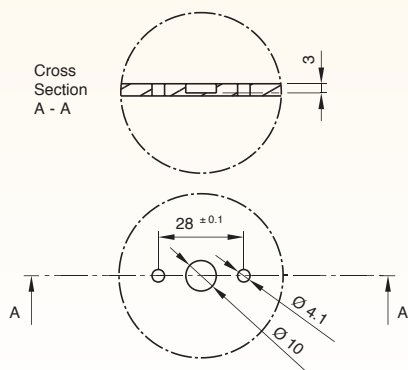
Thermostat

Motors protected by motor impedance or thermal protected by fuse or thermostat (autoreset or PTC)

DIMENSIONS



CUT OUT



TECHNICAL FEATURES

Stack height (H) mm	Power absorption W		
	Low consumption version	Normal version	Powered version
12	8	15	25
16	10	20	30
20	15	25	30
25	15	25	35
30	20	30	40
35	20	35	50