



# SHADED POLE MOTOR Ø 52

## FEATURES

Motor life: from 3.000 hours (brass bearings) to 30.000 hours (ball bearings)

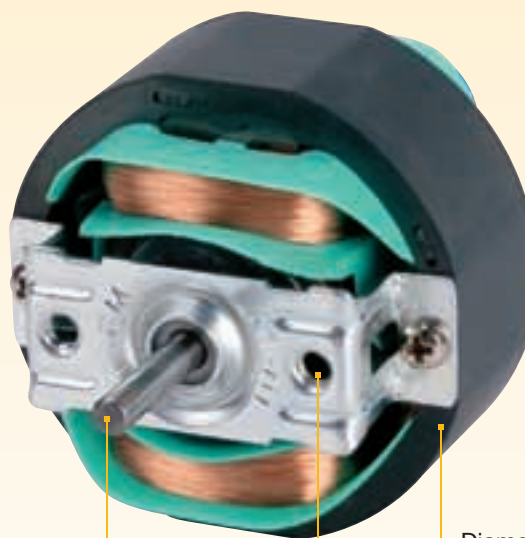
Heat and fire resistance version available  
GWIT 775 °C

2-speed version available

Class of insulation according to IEC 85: B or F

Voltage: 12 - 110 - 230 - 240 VAC

Ideal for reduced space, they are available in a wide range of versions and they are featuring high electromagnetic efficiency. This allows Giem to meet several application requirements: ventilators, fan heaters, air cleaners, and humidifiers



Diameter: 52 mm

Shaft diameter 4 mm;  
clock-wise and counter clock-wise

Fixing holes threaded M4

## OPTIONS



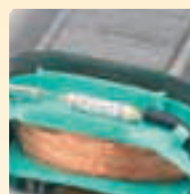
Shaft can be smooth, milled or with grooves with length on demand



Brass bearings or ball bearings



Stack height from 16 to 30 mm



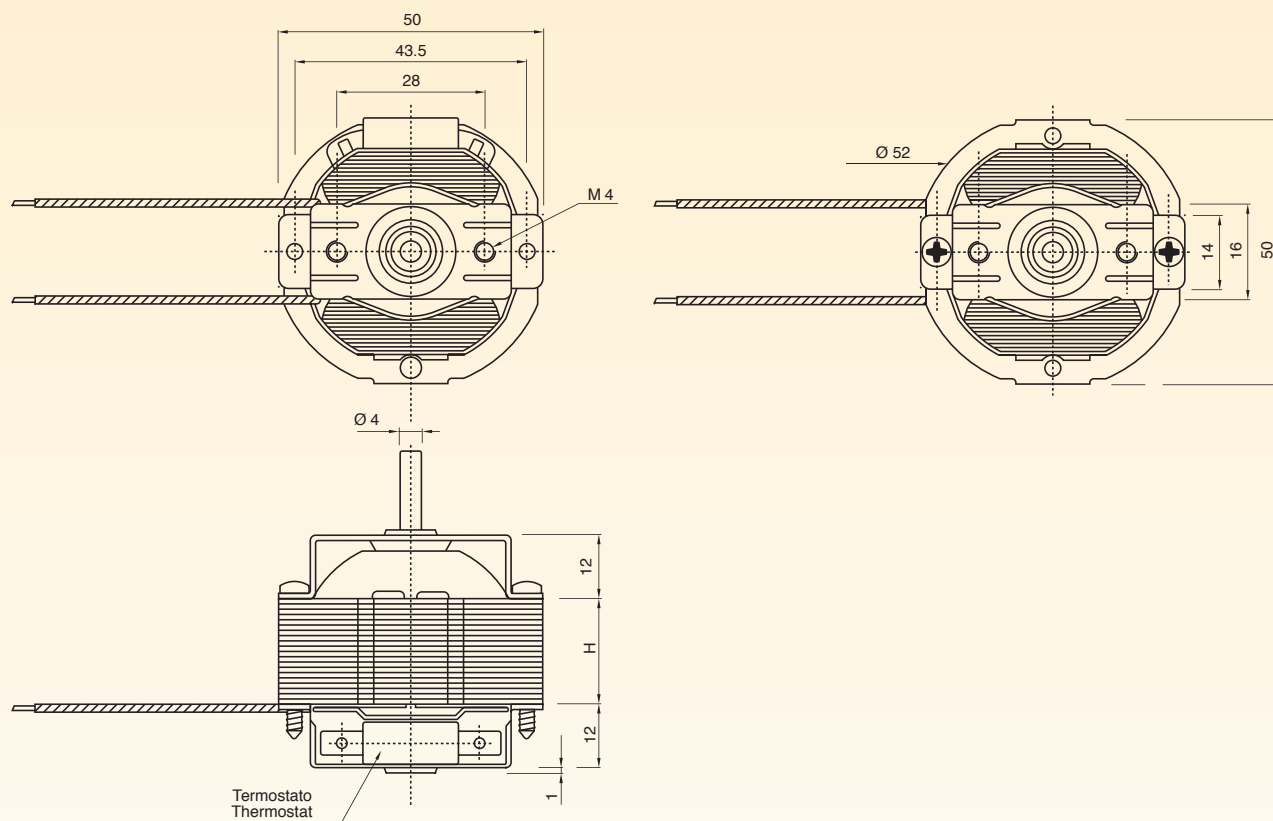
Fuse



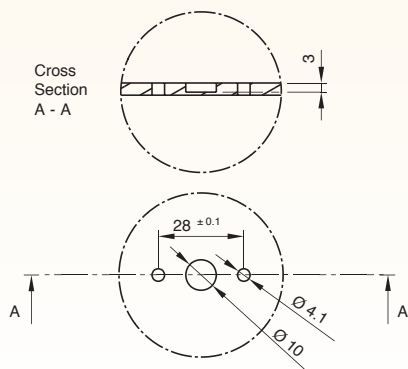
Thermostat

Motors protected by motor impedance or thermal protected by fuse or thermostat (autoreset or PTC)

## DIMENSIONS



## CUT OUT



## TECHNICAL FEATURES

Stack height (H) mm	Power absorption W		
	Low consumption version	Normal version	Powered version
16	8	15	25
20	10	20	25
25	15	20	30
30	20	30	40