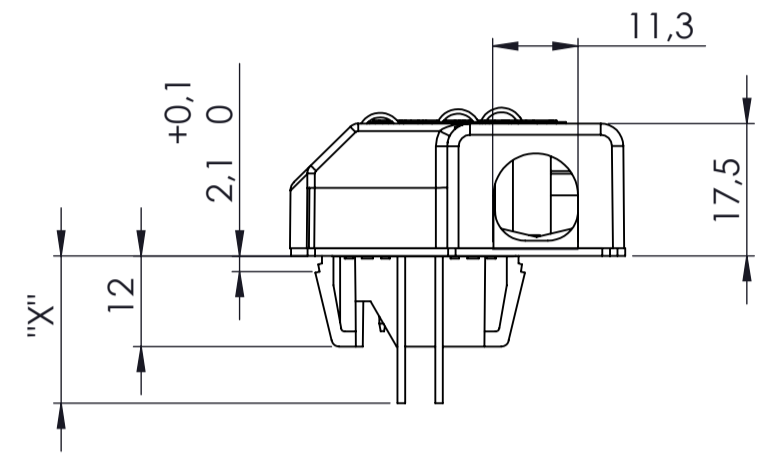
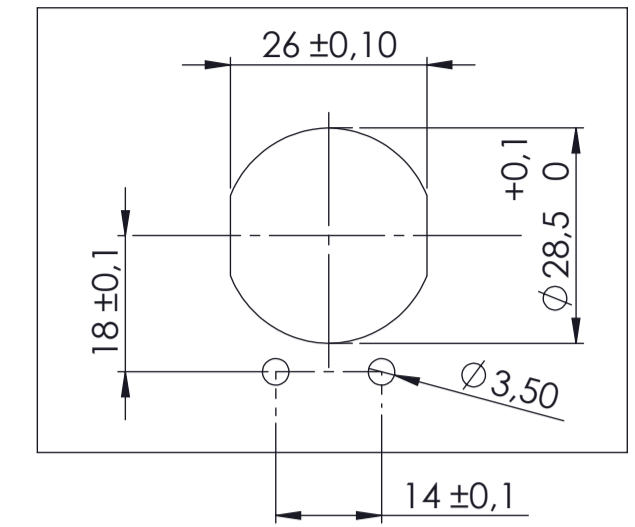


| CODE | "X" DIMENSION |
|----------------|---------------|
| 60-6595-1301-0 | 19.5 mm |
| 60-6594-1301-0 | 23 mm |



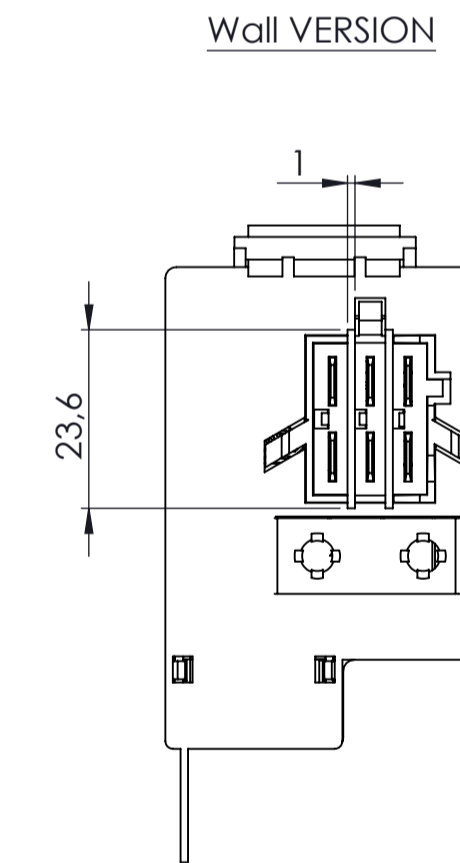
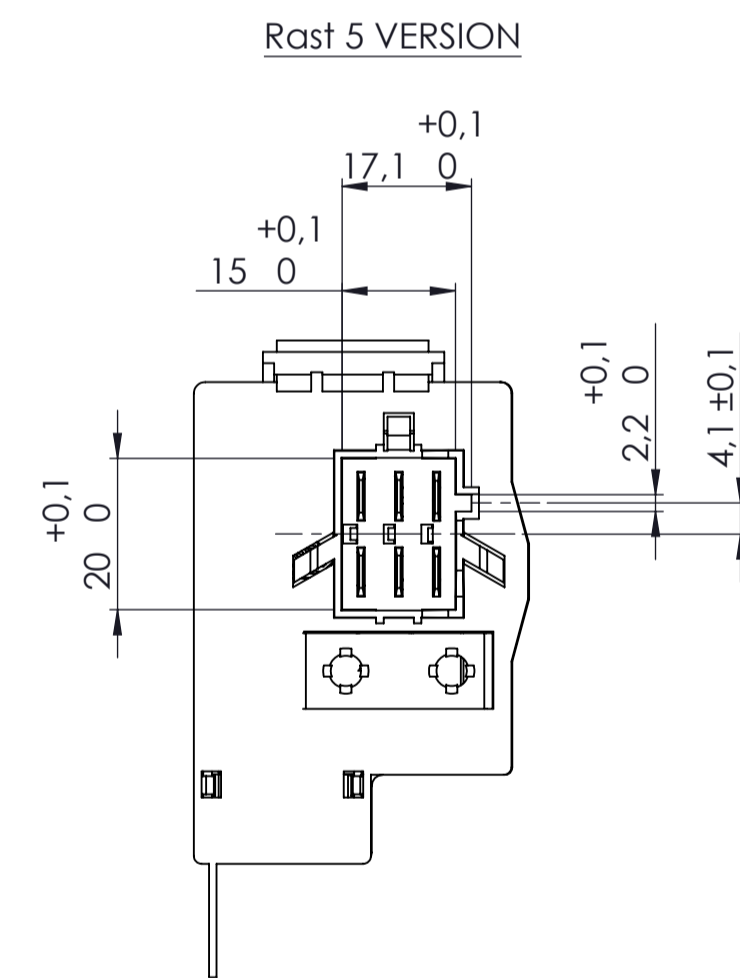
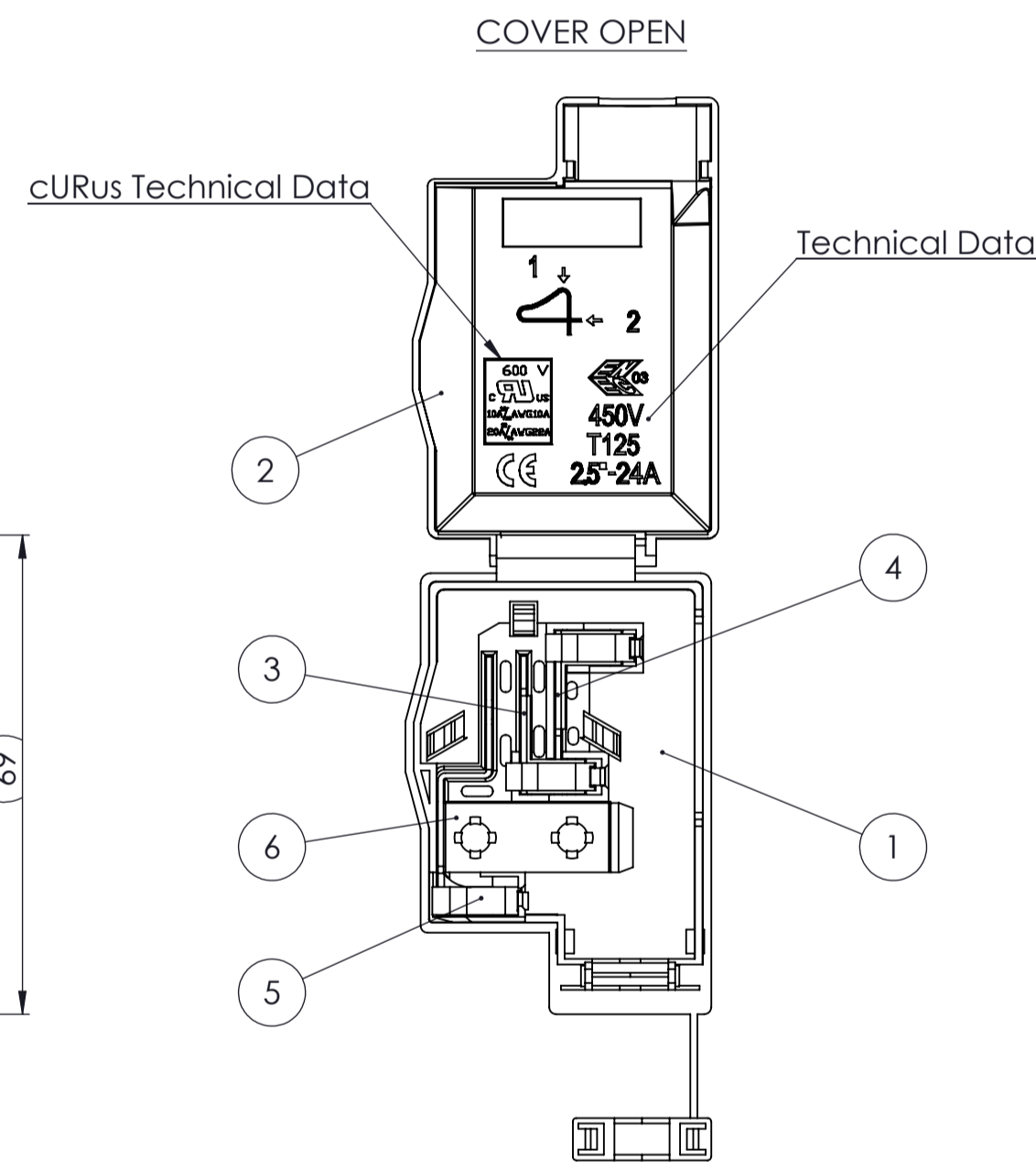
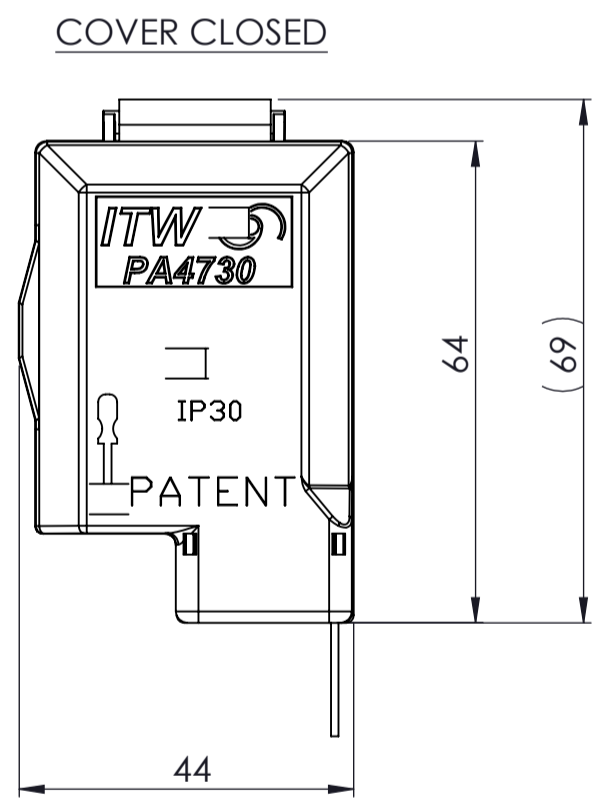
| TECHNICAL DATA | |
|---------------------------|-------------|
| Rated insulation voltage | 450V |
| Rated current | 24A |
| Rated connecting capacity | 2.5 sqmm |
| Conductor type | Flexible |
| Number of poles | 3 POLES |
| Tabs | 6.3x0.8 |
| Ambient temperature | -5° / 125°C |
| Protection degree | IP30 |
| Plastic material | PA66 - V2 |
| Terminal Block screw | / |
| Cable clamp screw | / |
| Min. thickness | |
| Kind of construction | |
| TORQUE WRENCH SETTING | |
| Terminal screws | / |
| Cable clamp screw | / |

PANEL CUT-OUT THICKNESS from 0.6 to 2mm



| PART LIST | | | | | | |
|-----------|--------------------------|--------------|------|------|-------|--------------------------|
| RIF. | Denomination | ITW CODE | E.M. | Q.tà | COLOR | NOTE |
| 1 | PA4730-BODY | 60-6594-1301 | 0 | 1 | Black | |
| 1 | PA4730-BODY | 60-6594-2Y01 | 0 | 1 | Black | ALTERNATIVE RAW MATERIAL |
| 1 | PA4730-BODY-B-VERSION | 60-6595-1301 | 0 | 1 | Black | |
| 1 | PA4730-BODY-R5 | 60-6595-1301 | 0 | 1 | Black | |
| 2 | PA4730-COVER | 60-6597-1301 | 0 | 1 | Black | |
| 2 | PA4730-COVER | 60-6597-2Y01 | 0 | 1 | Black | ALTERNATIVE RAW MATERIAL |
| 3 | PA4730-CONTACT-DX | 60-6598-FEZN | 0 | 1 | | |
| 4 | PA4730-CONTACT-SX | 60-6599-FEZN | 0 | 1 | | |
| 5 | PA4730-SPRING | 60-6600-AC00 | 0 | 3 | | |
| 6 | PA4730-GROUNDING-CONTACT | 60-6601-FEZN | 0 | 1 | | |

| 99-6594-2Y01 | PA4730/3PE/SL | 0 | E.M. |
|--|-------------------------|---|------|
| 99-6596-1301 <td>PA4730/3PE/SL/R5</td> <td>0</td> <td></td> | PA4730/3PE/SL/R5 | 0 | |
| 99-6595-1301 <td>PA4730/3PE/SL/B-VERSION</td> <td>0</td> <td></td> | PA4730/3PE/SL/B-VERSION | 0 | |
| 99-6594-1301 <td>PA4730/3PE/SL</td> <td>0</td> <td></td> | PA4730/3PE/SL | 0 | |



| | |
|-----|---|
| SL | Screwless connection. |
| WCK | With cover closed |
| BR | Bridge assembled into the I.B. [followed by the poles number where bridge assembled]. |
| WSA | With screw assembled in the cable clamp |
| WS | With screw for cable clamp supplied into the box |
| K | Cover supplied separately |
| NF | No Flame material |
| E | With Grounding Plate or earth bracket. |

Symbols Denomination

FOR MISSING DIMENSIONS: SEE THE 3D MODEL OR 2D DRAWING.

| | | | |
|---------------------|----------|--|-------------|
| 2 | 16/12/11 | Aggiunto codici Body e Cover con materiale alternativo (9802002Y01). | |
| 1 | 24/01/11 | Generato codice di assieme 9965942Y01. | Armaroli |
| EM | DATA | Ridisegnato come PA4730, era AD020 / AD020-B / AD020-R5. | Armaroli |
| | | Descrizione | Progettista |
| Modifiche (Change) | | | |

Disegno eseguito con sistema cad Non sono ammesse variazioni o modifiche manuali

PROPRIETA ITW FASTEX ITALIA S.p.A. - IL PRESENTE DISEGNO NON PUO ESSERE UTILIZZATO, PRODOTTO O COMUNICATO A TERZI SENZA PREVENTIVA AUTORIZZAZIONE. OGNI VIOLAZIONE SARA PERSEGUITA A TERMINI DI LEGGE

| PER PARTI NON QUOTATE | | QUOTE FUNZIONALI | |
|---|--------------------------|--------------------------|------------------------|
| Angolo di sovrapposizione (Data separata) | Spessore (Data separata) | Spessore (Data separata) | Raggio (Data separata) |
| Materiale (Material) | | Scala (Scale) | |
| Trattamento (Treatment) | | Cap.Norma (Reference) | |
| Superficie (Finishing) | Presso (Shop) | CEIEN 60335-1 | |
| Colori (Color) | Disegnato (Drawn) | CEIEN 60988-1/2 | |
| | Verificato (Checked) | CEIEN 61210 | |
| Date (Date) | 24/01/2011 | Verificato (Checked) | Chirumbolo |

ITW Industrial Components S.r.l.
 ITW Fastex ITW Fastex
 ITW Ispracontrols ITW Ispracontrols
 ITW Metallflex ITW Metallflex
 Cooking & Heating Group

Classe Funzionale - A1

Denominazione (Name) **PA4730/3PE SCREWLESS** PRELIMINARY

N° Disegno (Part N°) **99-6594-1301**

