


MORSETTIERA PROTETTA 5 POLI + TERRA SL600

TERMINAL BOX 5 POLES + GROUND SL600



DATI TECNICI / TECHNICAL DATA

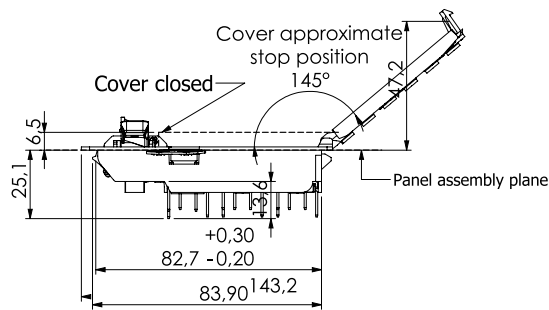
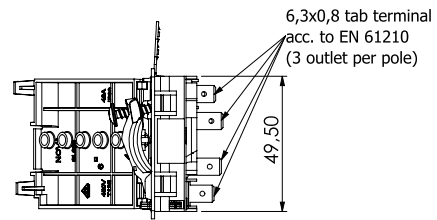
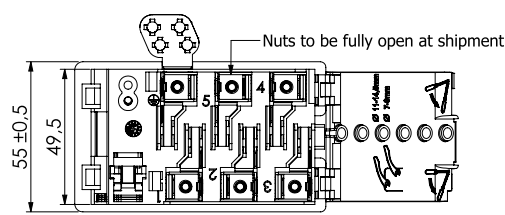
	EUROPA
Sezione cavo / Cable section	1,5 ÷ 6,0 mm ²
Tensione nominale / Nominal Voltage	450 V
Corrente max / Max. Rating	40 A (32A / 2 TABS - 16A / TAB)
Temp. d'esercizio / Working Temperature	T 125°C
Grado di protezione / Protection degree	IP 20
Corpo isolante / Plastic material	PA 6 V0 - GWT750°C
Numero poli / Number of poles	5 + E
Dimensioni di ingombro / Size	Vedi disegno tecnico / Refer to technical drawing
Dima di foratura / Cut out	Vedi disegno tecnico / Refer to technical drawing
Parti metalliche / Metal parts	M6 zinc plated steel screw; 6,3X0,8 zinc plated steel tab insert; zinc plated steel grounding tab. Shunt insert made in copper (where assembled)

Approvals	Standard References
VDE 	DIN EN 60998-1 (VDE 0613 Teil 1):2005-03; EN 60998-1:2004; DIN EN 60998-2-1 (VDE 0613 Teil 2-1):2005-03; EN 60998-2-1:2004; DIN EN 61210 (VDE 0613 Teil 6):2011-06; EN 61210:2010; DIN EN 60335-1 (VDE 0700-1):2020-08; EN 60335-1:2012+AC+A11+A13+A14:2019

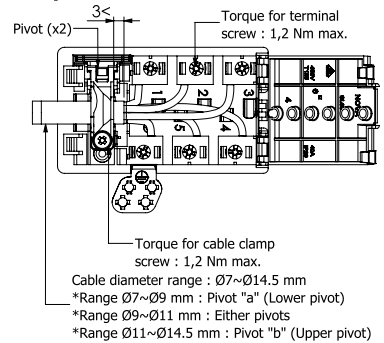
PACKAGING

Type	Poli / Poles	P-N	Pack.	Peso / Weight	Misure / Size
SL600	5 + E	3MRN07034605	112 pz.	9,41 Kg.	300x400x380mm
SL600	2 + E	3MRN07034613	112 pz.	9,41 Kg.	300x400x380mm

DISEGNO TECNICO / TECHNICAL DRAW



Representative Cable Connection



Panel Cut Out
Thickness : 0.5-1.0 mm

