


# MORSETTIERA PROTETTA 2 POLI + TERRA SL210

TERMINAL BOX 2 POLES + GROUND SL210



## DATI TECNICI / TECHNICAL DATA

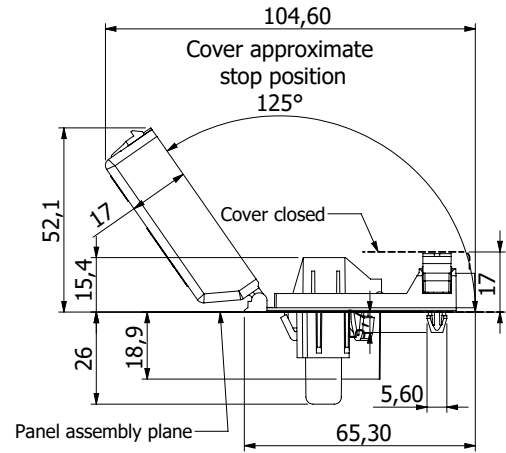
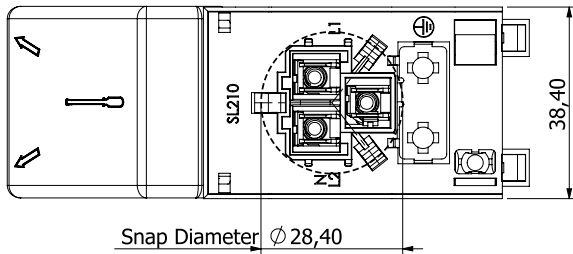
	EUROPA
Sezione cavo / Cable section	0,75 ÷ 1,5 mm <sup>2</sup>
Tensione nominale / Nominal Voltage	400 V
Corrente max / Max. Rating	17,5 A
Temp. d'esercizio / Working Temperature	T 125°C
Grado di protezione / Protection degree	IP 30
Corpo isolante / Plastic material	PA 6 V0 - GWT750°C
Numero poli / Number of poles	2 + E
Dimensioni di ingombro / Size	Vedi disegno tecnico / Refer to technical drawing
Dima di foratura / Cut out	Vedi disegno tecnico / Refer to technical drawing
Parti metalliche / Metal parts	M4 zinc plated steel screw; 6,3X0,8 zinc plated steel tab insert; zinc plated steel grounding tab

Approvals	Standard References
VDE 	DIN EN 60998-1 (VDE 0613 Teil 1):2005-03; EN 60998-1:2004; DIN EN 60998-2-1 (VDE 0613 Teil 2-1):2005-03; EN 60998-2-1:2004 DIN EN 61210 (VDE 0613 Teil 6):2011-06; EN 61210:2010; DIN EN 60335-1 (VDE 0700-1):2012-10; EN 60335-1:2012

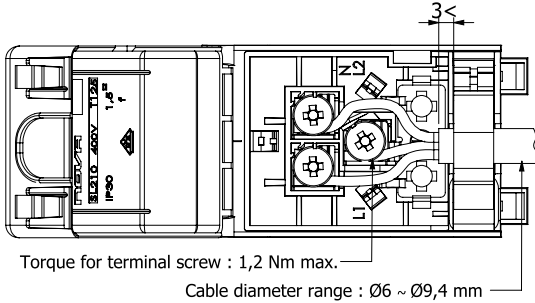
## PACKAGING

Type	Poli / Poles	P-N	Pack.	Peso / Weight	Misure / Size
SL210	2 + E	3MRN07028503	350 pz.	11,34 Kg.	300x400x380mm

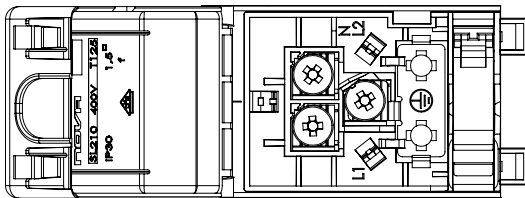
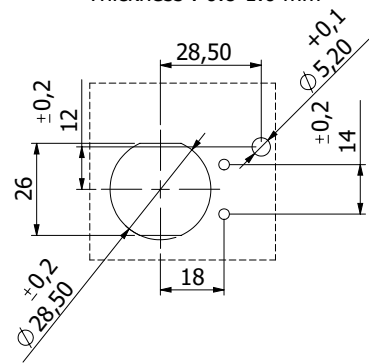
**DISEGNO TECNICO / TECHNICAL DRAW**



**Representative Cable Connection**



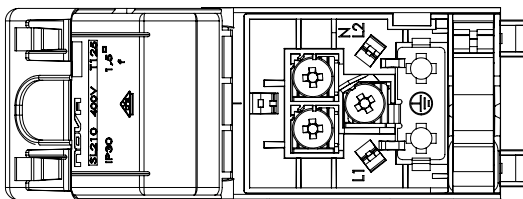
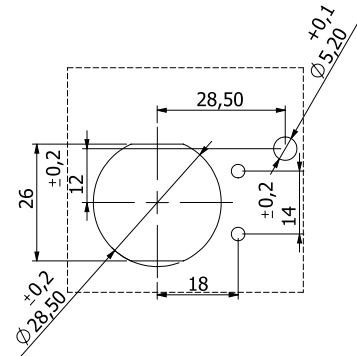
**Panel Cut-Out**  
Thickness : 0.8-1.0 mm



**Product Code : 07 0285 03**

Screw	05 0003 04	3	Approvals: VDE
Earth Terminal	94 0053 02	1	
Terminal	94 0192 02	3	
Cover	04 0052 03	1	Cut Out: Type 1
Body (Black)	04 0299 04	1	
DESC.	NOVA CODE	QTY	

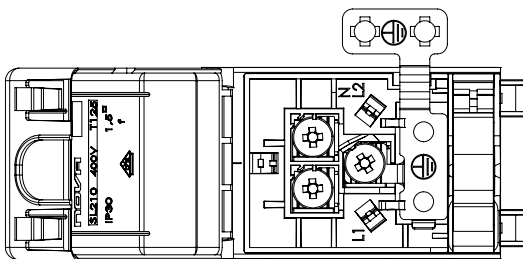
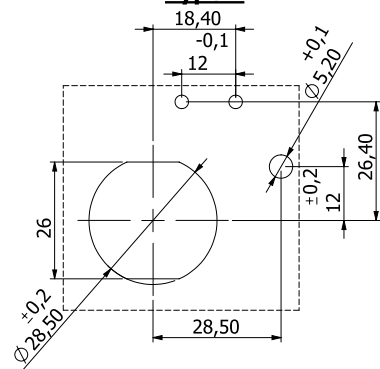
**Type 1**



**Product Code : 07 0285 03**

Screw	05 0003 04	3	Approvals: VDE
Earth Terminal	94 0053 02	1	
Terminal	94 0192 02	3	
Cable Clamp	04 0299 05	1	Cut Out: Type 1
Cover	04 0052 03	1	
Body (Black)	04 0299 04	1	
DESC.	NOVA CODE	QTY	

**Type 2**



**Product Code : 07 0285 04**

Screw	05 0003 04	3	Approvals: VDE
Earth Terminal	94 0053 02	1	
Terminal	94 0192 02	3	
Cable Clamp	04 0299 05	1	Cut Out: Type 2
Cover	04 0052 03	1	
Body (Black)	04 0299 04	1	
DESC.	NOVA CODE	QTY	