
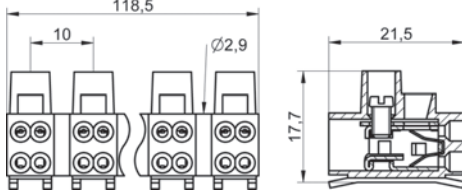




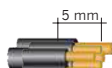


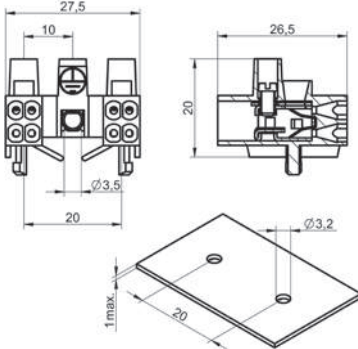




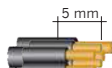

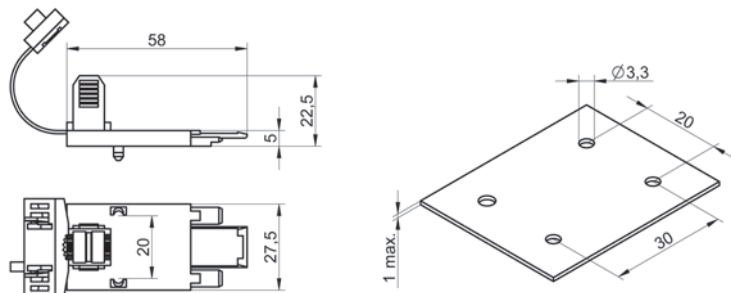


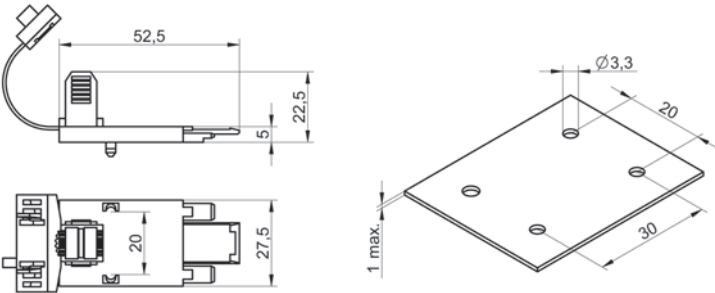




2200			 200 pcs. 480x194x144 mm	 7,4 Kg	
	2,5 mm ² / 1 mm ²		 M 3	 12 ways	
			Voltage 450V	Current rating 24A	 85°C
	4 x 1,5 mm ² / 0,5 mm ²				

2202			 1.000 pcs. 330x270x230 mm	 9,7 Kg	
	2,5 mm ² / 1 mm ²		 M 3	Standard printing N  L	
			Voltage 450V	Current rating 24A	 85°C
	4 x 1,5 mm ² / 0,5 mm ²				

ST/1 Strain relief clamp (for clamping and fixing external conductors in lighting fixtures)				
Types 2102, 2103 and 2104				
Polyamide 6. Natural colour				
 500 pcs. 330x270x230 mm				
 2,7 Kg				

ST/2 Strain relief clamp (for clamping and fixing external conductors in lighting fixtures)				
Types 2202				
Polyamide 6. Natural colour				
 500 pcs. 330x270x230 mm				
 2,7 Kg				