

SERIES 2100

Screw to screw-less terminal strips used for making faster electrical connections inside lighting and electrical appliances.



Raw materials

Moulding: Polyamide 6.6. Cream colour. V0 (according to UL94).

Insert: Steel.

Screws: Zinc-plated steel. Metric thread.



Glow-wire test 960°C according to EN 60695-2-11

Technical features according to EN 60998



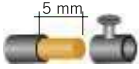
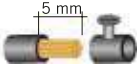
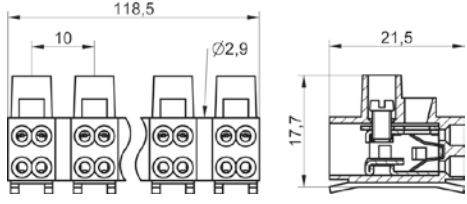



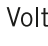

Types **2100** and **2200**: supplied in 12 ways strip. Available pre-cut and printed upon request.



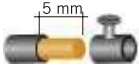
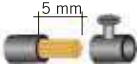
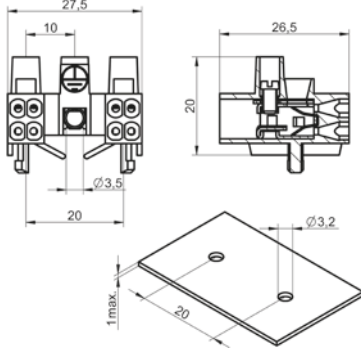


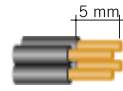
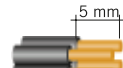
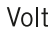
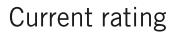
2100		200 pcs. 437x171x117 mm	6,8 Kg	
		2,5 mm ² / 1 mm ²	2 x 1,5 mm ² / 0,75 mm ²	M 3
		Voltage 450V	Current rating 24A	110°C

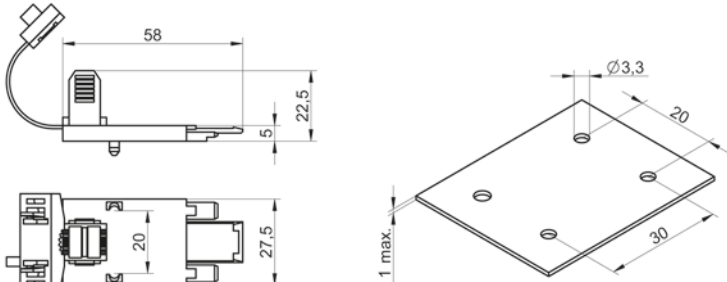



2102		1.000 pcs. 330x270x230 mm	9,6 Kg	
		2,5 mm ² / 1 mm ²	2 x 1,5 mm ² / 0,75 mm ²	M 3
		Voltage 450V	Current rating 24A	110°C

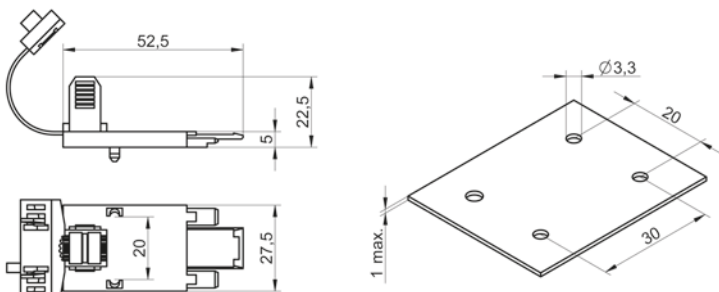



SERIES 2100

2102 A		1.000 pcs. 330x270x230 mm 9,7 Kg
5 mm 2,5 mm ² / 1 mm ²		M 3 Standard printing N L
5 mm 2 x 1,5 mm ² / 0,75 mm ²		Voltage 450V Current rating 24A 110°C
2103		1.000 pcs. 330x270x230 mm 12,9 Kg
5 mm 2,5 mm ² / 1 mm ²		M 3 Standard printing L1N L
5 mm 2 x 1,5 mm ² / 0,75 mm ²		Voltage 450V Current rating 24A 110°C
2103 A		750 pcs. 330x270x230 mm 9,6 Kg
5 mm 2,5 mm ² / 1 mm ²		M 3 Standard printing L1N L
5 mm 2 x 1,5 mm ² / 0,75 mm ²		Voltage 450V Current rating 24A 110°C
2104		500 pcs. 330x270x230 mm 7,9 Kg
5 mm 2,5 mm ² / 1 mm ²		M 3 Standard printing L1N LL1
5 mm 2 x 1,5 mm ² / 0,75 mm ²		Voltage 450V Current rating 24A 110°C
2104 A		500 pcs. 330x270x230 mm 7,9 Kg
5 mm 2,5 mm ² / 1 mm ²		M 3 Standard printing L1N LL1
5 mm 2 x 1,5 mm ² / 0,75 mm ²		Voltage 450V Current rating 24A 110°C

2200		 200 pcs. 480x194x144 mm		 7,4 Kg	
 5 mm 2,5 mm ² / 1 mm ²	 5 mm 4 x 1,5 mm ² / 0,5 mm ²	 118,5 10 Ø2,9 17,7	 21,5	 M 3	 12 ways
 5 mm 4 x 1,5 mm ² / 0,5 mm ²		Voltage 450V	Current rating 24A	 85°C	

2202		 1.000 pcs. 330x270x230 mm		 9,7 Kg	
 5 mm 2,5 mm ² / 1 mm ²	 5 mm 4 x 1,5 mm ² / 0,5 mm ²	 27,5 10 Ø3,5 20	 26,5 20	 M 3	Standard printing  N L
 5 mm 4 x 1,5 mm ² / 0,5 mm ²		 20 Ø3,2 1 max.	Voltage 450V	Current rating 24A	 85°C

ST/1 Strain relief clamp (for clamping and fixing external conductors in lighting fixtures).		
Types 2102, 2103 and 2104	 58 22,5 5 20 27,5	
Polyamide 6. Natural colour		
 500 pcs. 330x270x230 mm		 1 max. Ø3,3 20 30
 2,7 Kg		

ST/2 Strain relief clamp (for clamping and fixing external conductors in lighting fixtures).		
Type 2202	 52,5 22,5 5 20 27,5	
Polyamide 6. Natural colour		
 500 pcs. 330x270x230 mm		 1 max. Ø3,3 20 30
 2,7 Kg		