



MORSETTIERA VITE/FASTON 5 POLI + TERRA KL200E CON PONTI

SCREW TO TAB TERMINAL BLOCK WITH 5 POLES + GROUND KL200E WITH SHUNT



DATI TECNICI / TECHNICAL DATA

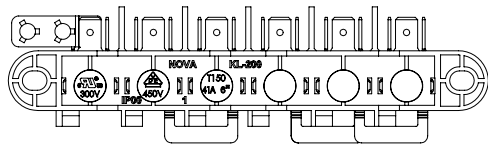
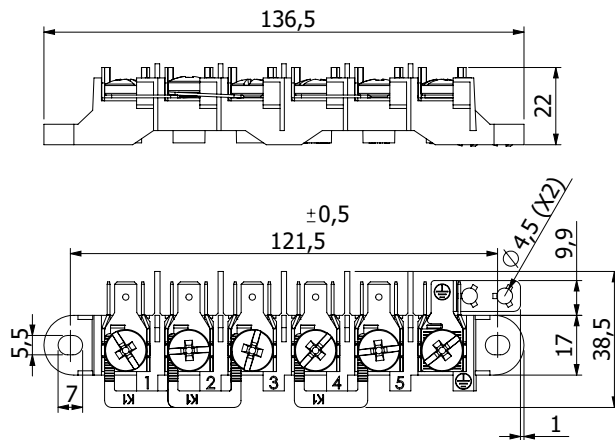
| | EUROPA | USA |
|---|---|----------|
| Sezione cavo / Cable section | 1,5 ÷ 6,0 mm ² | 18-8 AWG |
| Tensione nominale / Nominal Voltage | 450 V | 300 V |
| Corrente max / Max. Rating | 41 A | |
| Temp. d'esercizio / Working Temperature | T 150°C | T 130°C |
| Grado di protezione / Protection degree | IP 00 | |
| Corpo isolante / Plastic material | PA66 - GF25% - CLASS V-0 - GWT 750°C | |
| Numero poli / Number of poles | 5 + E | |
| Coppia di serraggio / Tightening torque | 0.5-1.0 Nm - Max. 2.5 Nm | |
| Dima di foratura / Cut out | Vedi disegno tecnico / Refer to technical drawing | |
| Parti metalliche / Metal parts | M6 zinc plated steel screw; 6,3X0,8 zinc plated steel tab insert; zinc plated steel grounding tab; Shunt insert made in copper (where assembled). | |

| Approvals | Standard References |
|--|---|
| VDE  | DIN EN 60998-1:2005-03; EN 60998-1:2004; DIN EN 60998-2-1: 2005-03; EN 60998-2-1:2004 DIN EN 61210 2011-06; EN 61210:2010 |
| UL CSA  | 1-UL Standard: UL 1059 Standard for terminal blocks Edition 4 Rev.Date 2011-10-14 2-Canadian Standard: CSA C22.2 NO.158-10 terminal blocks Edition 3-Issue Date 2010-03-01 |

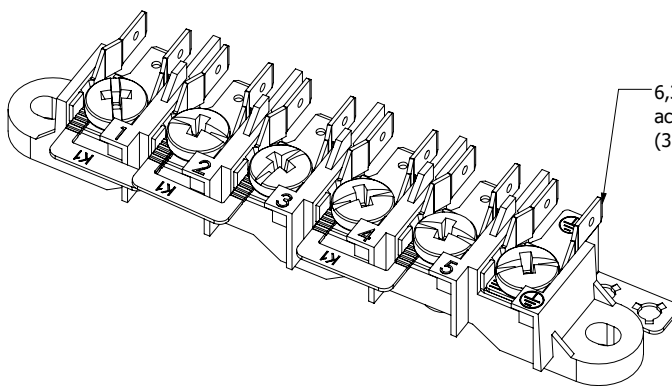
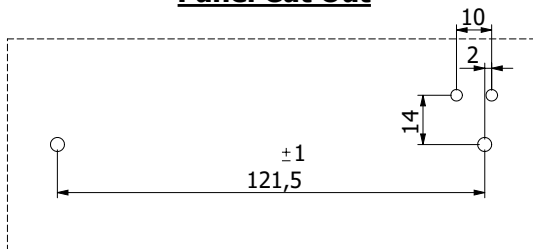
PACKAGING

| Type | Poli / Poles | P-N | Pack. | Peso / Weight | Misure / Size |
|-----------------------|--------------|--------------|---------|---------------|---------------|
| KL200 5P+E (3BK) (T6) | 6 | 3MRN07001817 | 150 pz. | 11,39 Kg. | 400x300x195mm |

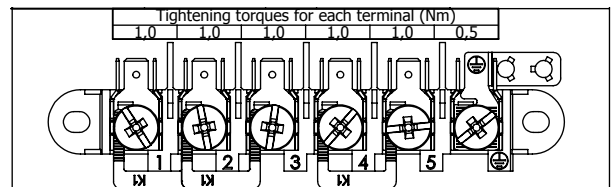
DISEGNO TECNICO / TECHNICAL DRAW



Panel Cut Out



6,3x0,8 tab terminal
acc. to EN61210
(3 outlet per pole)



Product Code : 07 0018 17

| | | | |
|-----------------|------------------|------------|---------------------------|
| Earth Terminal | 94 0391 01 | 1 | Approvals: VDE+UL ② |
| Bridge (Copper) | 04 0257 01 | 3 | |
| Screw (Combi) | 05 0016 01 | 6 | |
| Terminal | 94 0035 01 | 6 | Cut Out: Type 4 |
| Body (Black) ① | 94 0202 02 | 1 | |
| DESC. | NOVA CODE | QTY | |