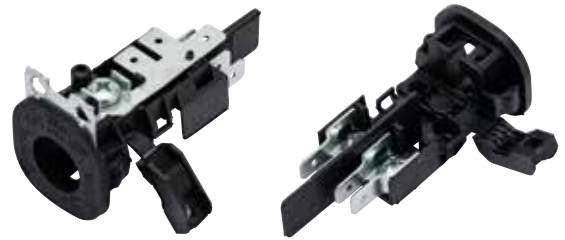




# FISSACAVO CON MORSETTIERA INTEGRATA 2 POLI + TERRA PL105E

TERMINAL BLOCK WITH INTEGRATED CABLE CLAMP 2 POLES + GROUND PL105E



## DATI TECNICI / TECHNICAL DATA

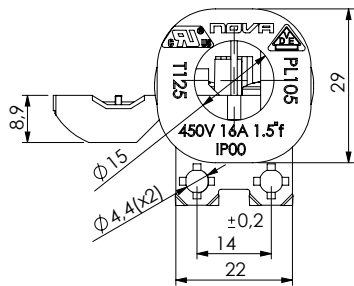
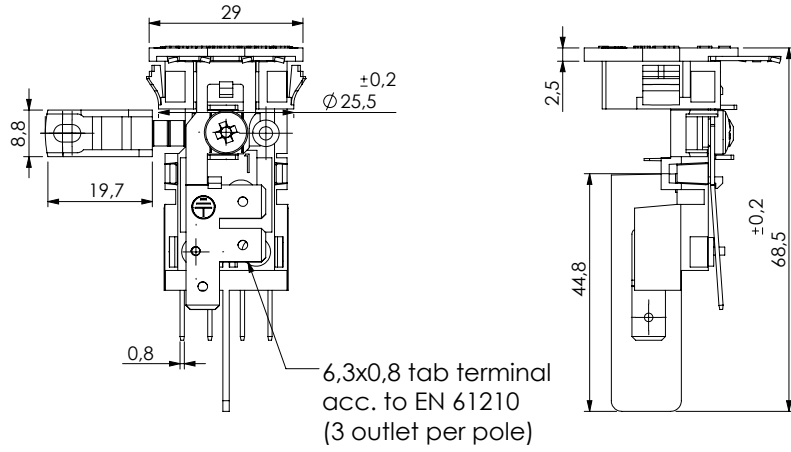
	IEC STANDARDS	AMERICAN STANDARDS
Wire size	Ø 6,0 ÷ Ø 10 mm	3 x 20 AWG ÷ 3 x 16 AWG (Ø 0,23 ÷ Ø 0.4")
Sezione cavo / Cable section	0,75 ÷ 1,5 mm <sup>2</sup>	18 AWG / 14 AWG
Tensione nominale / Nominal Voltage	450 V	300 V
Corrente max / Max. Rating	17,5 A	16 A
Numero poli / Number of poles	2	
Dimensioni ingombro / Size	Vedi disegno tecnico / Refer to technical drawing	
Dima di foratura / Cut out	Vedi disegno tecnico / Refer to technical drawing	
Parti metalliche / Metal parts	M4 zinc plated steel screw; 6,3X0,8 zinc plated steel tab insert; zinc plated steel grounding tab; 3,1x11 cable clamp screw	
Working Temperat.	T 125°C	T 125°C
Plastic Material	PA 6 V2 - GWT 750°C	
IP GRADE	IP00	

Approvals	Standard References
VDE 	DIN EN 60998-1 (VDE 0613 Teil 1):2005-03; EN 60998-1:2004; DIN EN 60998-2-1 (VDE 0613 Teil 2-1):2005-03; EN 60998-2-1:2004; DIN EN 61210 (VDE 0613 Teil 6):2011-06; EN 61210:2010; DIN EN 60335-1 (VDE 0700-1):2007-02; EN 60335-1:2002+A11+A1+A12+Corr.+A2:2006
UL 	UL1059

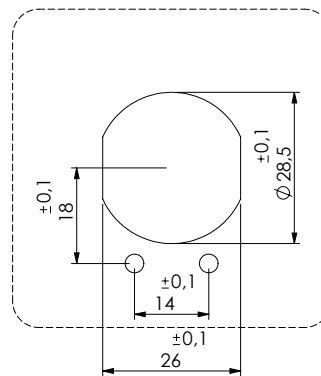
## PACKAGING

Type	Poli / Poles	P-N	Pack.	Peso / Weight	Misure / Size
PL105E 2P+E	2	3MRN07031301	500 pz.	11,26 Kg.	300x400x380mm

**DISEGNO TECNICO / TECHNICAL DRAW**



**Panel Cut-Out**  
Thickness: 0,4 - 2,0mm



6,3x0,8 tab terminal  
acc. to EN 61210  
(2 outlet per pole)

