



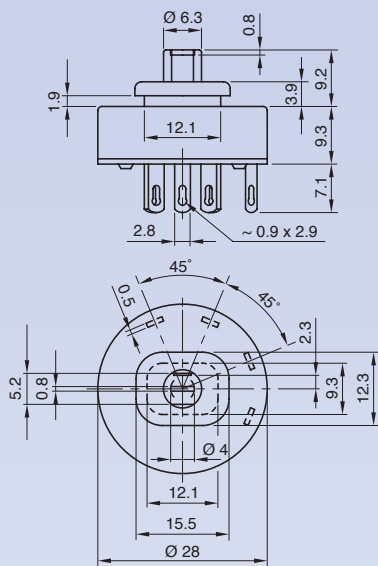
# DS

<b>TYPICAL APPLICATIONS</b>	H VAC
<b>FUNCTIONS</b>	■ 45° steps (with 3 or 5 rest positions), SP
<b>CYCLE No.</b>	50.000
<b>CUT OUT</b>	Rear panel
<b>AMBIENT TEMPERATURE</b>	85 °C
<b>GWT</b>	850 °C
<b>GWT NO FLAME (&lt;2sec)</b>	750 °C on demand

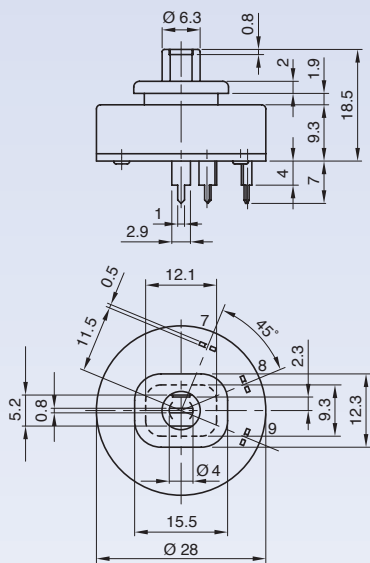


## DRAWING

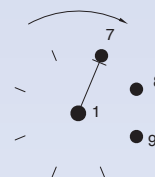
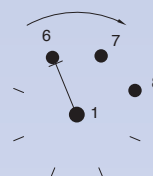
### DS37



### DS51



## FUNCTION



## RATING

**2 (2) A / 250 VAC - 5E4**  
**T85 °C**  
**EN 61058**

2A / 250 VAC  
 T65 °C  
 UL 1054