



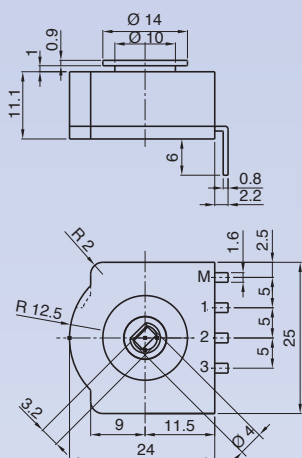
DH

TYPICAL APPLICATIONS	Circulation pumps
FUNCTIONS	■ 45° steps (with 3 positions), SP
CYCLE No.	10.000
CUT OUT	Rear panel
AMBIENT TEMPERATURE	85 °C
GWT	850 °C
GWT NO FLAME (<2sec)	750 °C

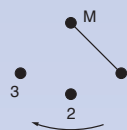


DRAWING

DH3



FUNCTION



RATING

2 (2) A / 250 VAC
1 (0.5) A / 250 VAC
T85 °C
EN 61058

2A / 125 VAC
 T85 °C
 UL 1054

DH4

