



# DC

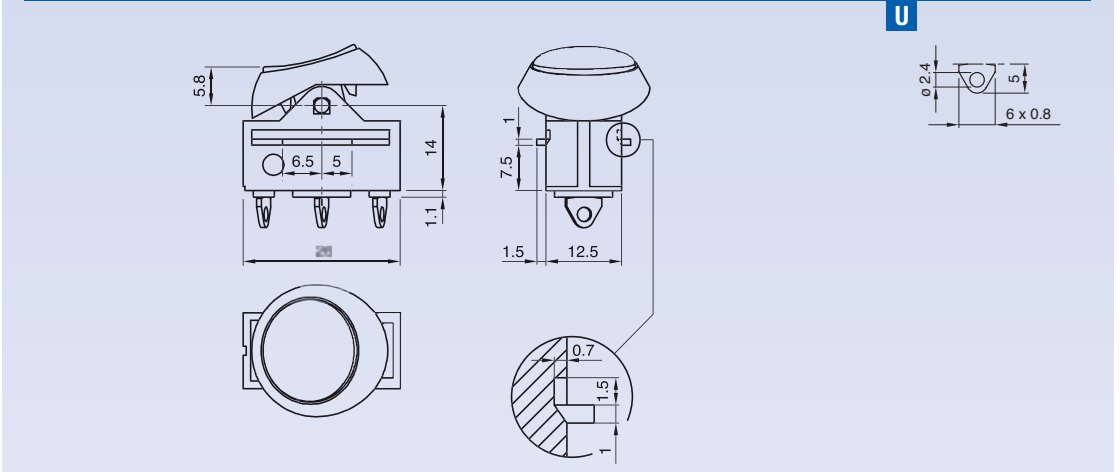
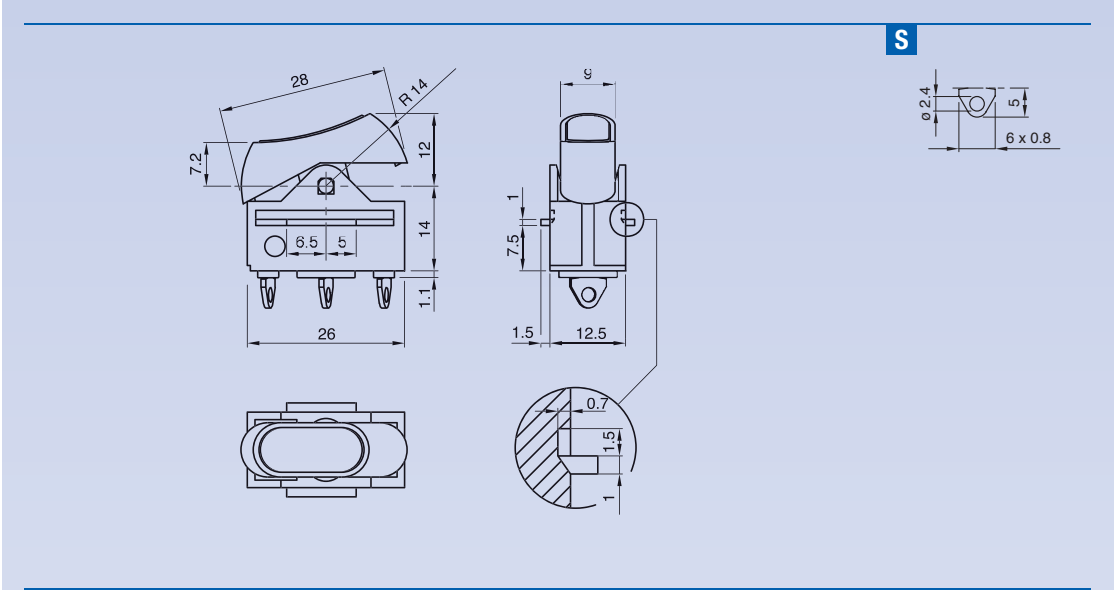
<b>TYPICAL APPLICATIONS</b>	Hairdryers
<b>FUNCTIONS</b>	■ SPST, momentary or not
<b>CYCLE No.</b>	50.000
<b>CUT OUT</b>	-
<b>AMBIENT TEMPERATURE</b>	125 °C
<b>GWT</b>	850 °C



**D** **C**

**?**

## TERMINAL



D	C	TERMINAL	FUNCTION	RATING	BODY COLOUR	ROCKER COLOUR	MARKING COLOUR	MARKING	0	0	0	0

?	?	?	?	?	?	?	0	0	0	0
FUNCTION	RATING	BODY COLOUR	ROCKER COLOUR	MARKING COLOUR	MARKING					
<p><b>1</b></p> 	<p><b>C</b></p> <p>16 A - 6 (6) A / 250 VAC  10 A - 4 (4) A / 250 VAC - 5E4  T125 °C  EN 61058</p> <p>16 A / 125 VAC  8 A / 250 VAC  T65 °C  UL 1054  CSA C22.2</p>	<p><b>1</b> </p> <p>black</p>	<p><b>1</b> </p> <p>black</p> <p><b>2</b> </p> <p>white</p> <p><b>9</b> </p> <p>red</p> <p><b>B</b> </p> <p>blue</p> <p><b>X</b> </p> <p>custom</p>	<p><b>0</b> </p> <p>none</p> <p><b>1</b> </p> <p>black</p> <p><b>2</b> </p> <p>white</p> <p><b>X</b> </p> <p>custom</p>	<p>Terminal S</p> <p><b>0</b> </p> <p><b>C</b> </p> <p><b>R</b> </p> <p><b>X</b> </p> <p>Terminal U</p> <p><b>0</b> </p> <p><b>A</b> </p> <p><b>X</b> </p>					