



CP

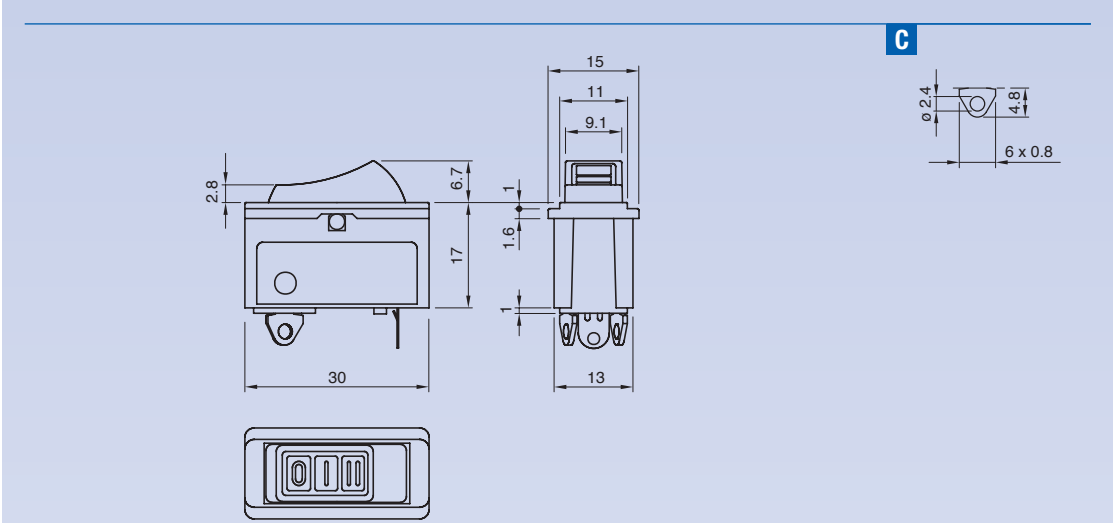
TYPICAL APPLICATIONS	Hairdryers
FUNCTIONS	■ SPDT (3 positions 0/1/1+2)
CYCLE No.	50.000
CUT OUT	See drawing
AMBIENT TEMPERATURE	85 °C
GWT	850 °C

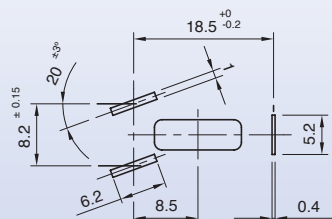


C P

?

TERMINAL





	TERMINAL	FUNCTION	RATING	BODY COLOUR	ROCKER COLOUR				
C	P					0	0	0	0

?	?	?	?	0	0	0	0
---	---	---	---	---	---	---	---

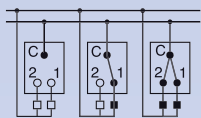
FUNCTION

RATING

BODY COLOUR

ROCKER COLOUR

1



2

16 A / 250 VAC
10 A / 250V - 5E4
T85 °C
μ disconnection
EN 61058

3

16 A / 250 VAC
10 A / 250 VAC - 5E4
T85 °C
μ disconnection
EN 61058

13 A / 125 VAC
6.5 A / 250 VAC
T65 °C
UL 1054

1

black

2

white

X

?

custom

1

black

2

white

9

red

X

?

custom