



CO

TYPICAL APPLICATIONS Hairdryers

FUNCTIONS ■ SPDT (3 positions 0/1/1+2)

CYCLE No. 50.000

CUT OUT See drawing

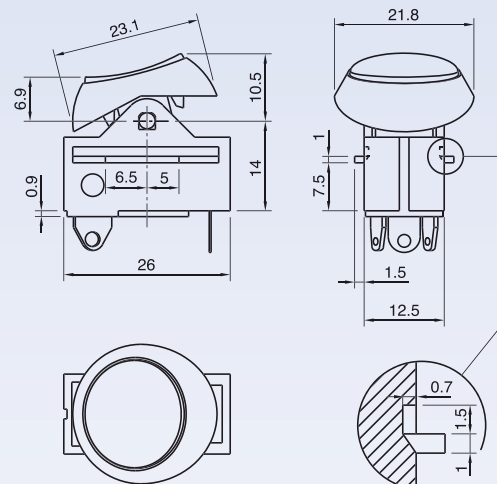
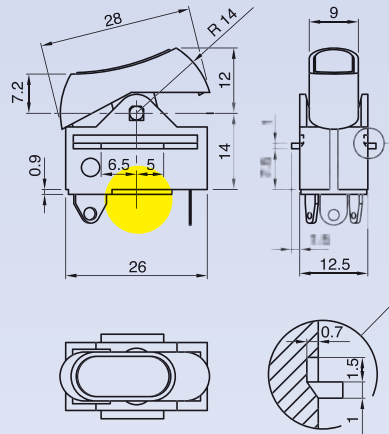
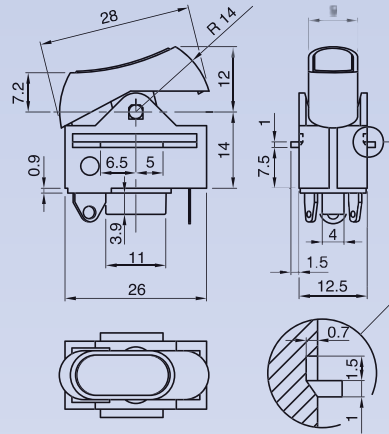
AMBIENT TEMPERATURE 85 °C

GWT 850 °C



C O

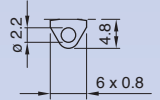
DRAWING



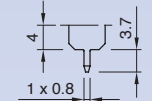
?

TERMINAL

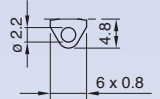
K



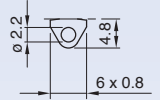
L

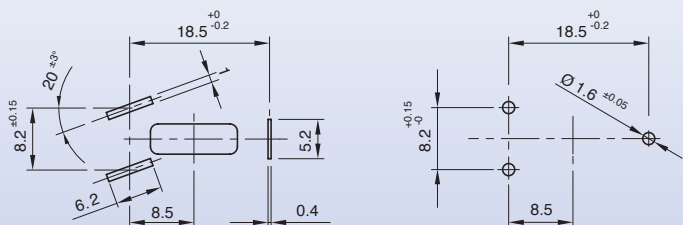


M



S

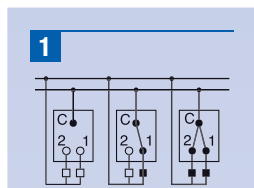




TERMINAL	FUNCTION	RATING	BODY COLOUR	ROCKER COLOUR	MARKING	MARKING COLOUR
C	0					
					0	0

?	?	?	?	?	?	0	0
---	---	---	---	---	---	---	---

FUNCTION **RATING** **BODY COLOUR** **ROCKER COLOUR** **MARKING** **MARKING COLOUR**



2
 16 A / 250 VAC
 10 A / 250 VAC - 5E4
 T85 °C
 µ disconnection
 EN 61058

3
 16 A / 250 VAC
 10 A / 250V - 5E4
 T85 °C
 µ disconnection
 EN 61058

13 A / 125 VAC
 6.5 A / 250 VAC
 T65 °C
 UL 1054

1
 brown

1
 black

2
 white

5
 grey

9
 red

X **?**
 custom

0

A

B

C

D

E

F

X **?**

0
 none

1
 black

2
 white

5
 grey

7
 light blue

8
 red

X **?**
 custom

Terminal S

1
 black

X **?**
 custom

Terminal S

0

X **?**