



CB

TYPICAL APPLICATIONS	Hairdryers
FUNCTIONS	■ 2x SPST (3 positions 0-0/0-1/1-1)
CYCLE No.	50.000
CUT OUT	See drawing
AMBIENT TEMPERATURE	85 °C
GWT	850 °C

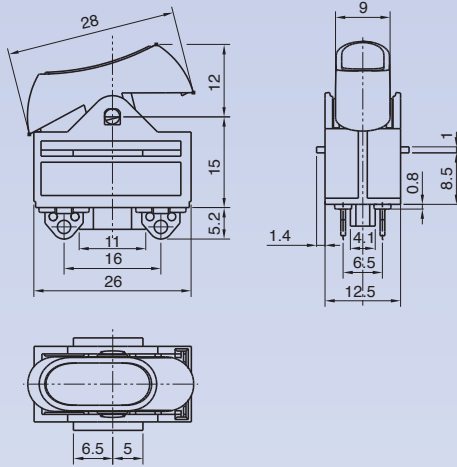


C B

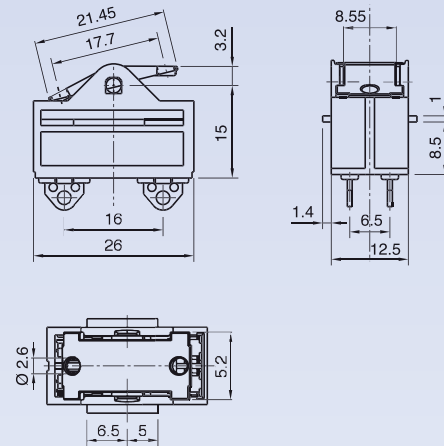
?

DRAWING

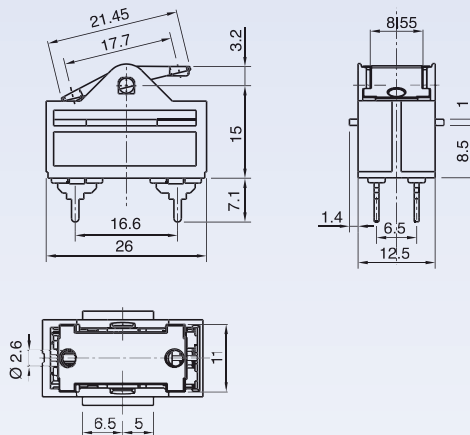
TERMINAL



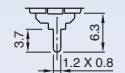
K

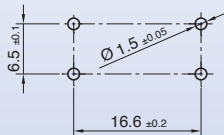
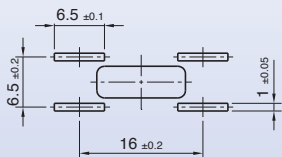


G



H





	TERMINAL	FUNCTION	RATING	BODY COLOUR	ROCKER COLOUR	MARKING	MARKING COLOUR				
C	B							0	0	0	0

?	?	?	?	?	?	?	0	0	0
FUNCTION	RATING	BODY COLOUR	ROCKER COLOUR	MARKING	MARKING COLOUR				

1

2

10 A / 250 VAC - 5E4
T85 °C
μ disconnection
EN 61058

16 A / 125 VAC
T105 °C
UL 1054

1

brown

Terminal K

0 none

1 black

5 grey

9 red

X ? custom

Terminal G - H

1 brown

Terminal K

0

A

D

E

X

Terminal G - H

0 None

Terminal K

0 none

1 black

2 white

7 light blue

8 red

X ? custom

Terminal G - H

0 None