



LF

**TYPICAL APPLICATIONS** Cooker hoods, hairdryers

- FUNCTIONS**
- 1 step, SP or DP
  - 2 steps, DP
  - 3 steps, DP

**CYCLE No.** 10.000

**CUT OUT** Rear panel

**AMBIENT TEMPERATURE** 125 °C

**GWT** 850 °C

**GWT NO FLAME (<2sec)** 750 °C



L F ?

**DRAWING**



LF2

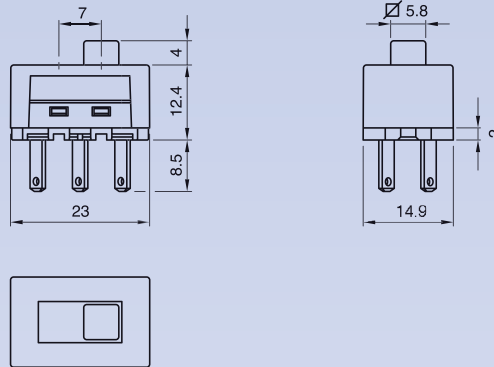


LF3

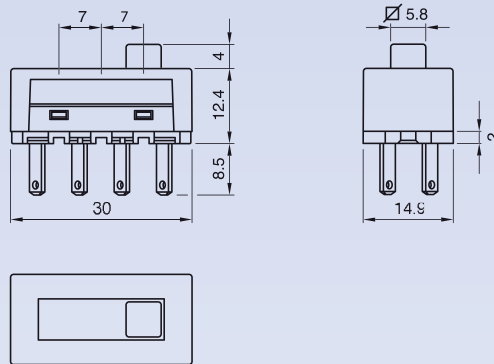


LF4

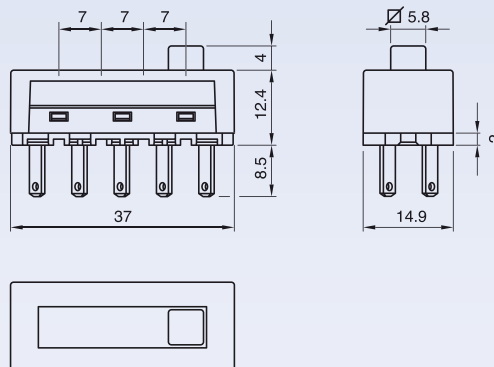
2

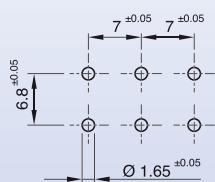


3

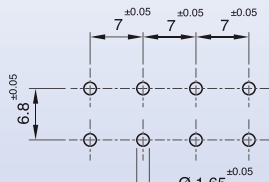


4

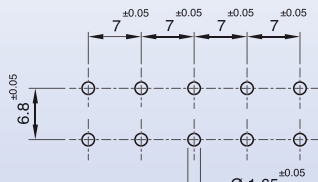




LF2



LF3



LF4

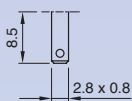
DRAWING TERMINAL FUNCTION RATING

L	F					0	0	0	W
---	---	--	--	--	--	---	---	---	---

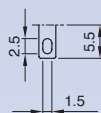
?

TERMINAL

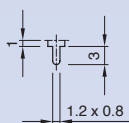
1



2



4

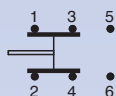


?

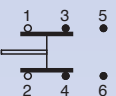
FUNCTION

Drawing 2

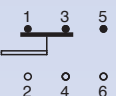
A



B

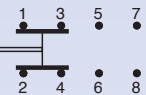


E

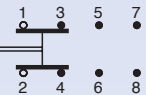


Drawing 3

A

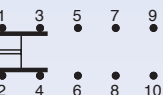


B

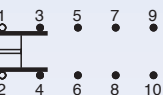


Drawing 4

A



B



?

RATING

3

8 (3) A / 250 VAC  
T125 °C  
EN 61058

8 A / 125 VAC  
T65 °C  
UL 1054

0 0 0 W