



# SXL4

**TYPICAL APPLICATIONS** Coffee machines, washing machines

- FUNCTIONS**
- SPST, momentary or not
  - SPST, illuminated or not
  - DPST, momentary or not
  - DPST, illuminated or not

**CYCLE No.** 50.000

**CUT OUT** 19x13 mm

**AMBIENT TEMPERATURE** 125 °C

**GWT** 850 °C

**GWT NO FLAME (<2sec)** 750 °C



**S** **X** **L** **4** **?**

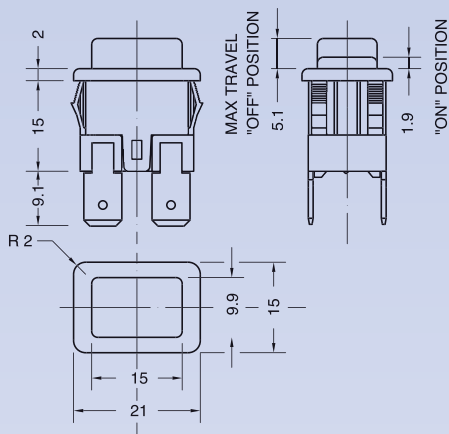
**?**

## DRAWING

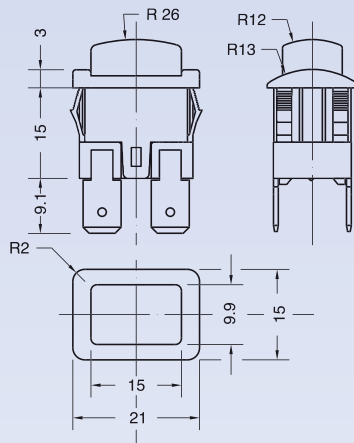
## TERMINAL



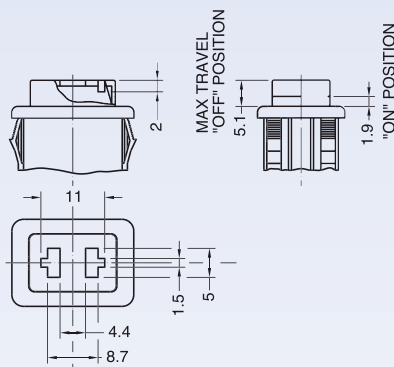
### 1 FLAT



### 2 BOWL



### 3 CUSTOMIZABLE



### 1 Drawing 1 - 2 - 3 Vertical terminal 6.3x0.8



### A Drawing 1 Horizontal terminal 6.3x0.8



### 2 Drawing 1 - 2 - 3 Vertical terminal 4.8x0.8

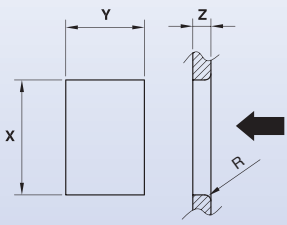


### B Drawing 1 - 3 Horizontal terminal 4.8x0.8

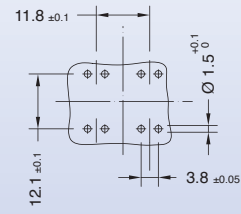
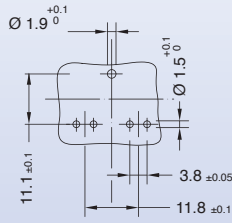


### 4 Drawing 1 - 2 Vertical PCB terminal





Z	Y	X
0,5-1,2	12,9 $^{+0,1}_0$	19,0 $^{+0,2}_0$
1,2-2,0	12,9 $^{+0,1}_0$	19,3 $^{+0,2}_0$
2,0-3,0	12,9 $^{+0,1}_0$	19,6 $^{+0,2}_0$



S	X	L	4	DRAWING	TERMINAL	FUNCTION	RATING	BODY COLOUR	BUTTON COLOUR	MARKING COLOUR	MARKING	0	0	0	W

?	?	?	?	?	?	0	0	0	W
---	---	---	---	---	---	---	---	---	---

**FUNCTION RATING BODY COLOUR BUTTON COLOUR MARKING COLOUR MARKING**

**1**

**2**

**4**

**6** No drawing 3

**7**

**8** No drawing 3

**H**

16 (4) A / 250 VAC  
 10 (6) A / 250 VAC - 5E4  
 T125/55 °C  
 EN 61058

16 A - 125 / 250 VAC  
 3/4 HP - 125 / 250 VAC  
 T100 °C  
 UL 1054

**9**

12 (8) A / 250 VAC - 5E4  
 T85/55 °C  
 EN 61058

**1** black

**2** white

**X** custom

**Drawing 1 - 3**

**1** black

**2** white

**Drawing 1 - 2**

**M** white

**N** black

**R** red

**ILLUMINATED**

**G** red

**H** orange

**E** green

**L** white

**F** blue

**X** custom

**0** none

**1** black

**2** white

**X** custom

**0**

**1**

**R**

**X**