



# SP63

**TYPICAL APPLICATIONS** Vacuum and steam cleaners

**FUNCTIONS**

- SPST, momentary or not
- SPST, illuminated or not
- DPST illuminated

**CYCLE No.** 50.000

**CUT OUT** 27x22 mm

**AMBIENT TEMPERATURE** 120 °C

**GWT** 850 °C

**GWT NO FLAME (<2sec)** 750 °C on demand

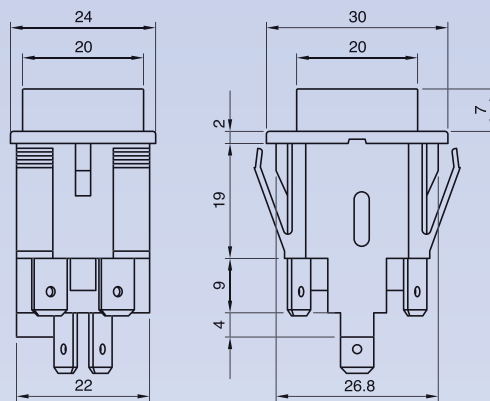


S P 6 3

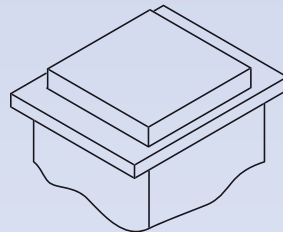
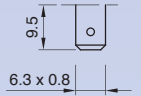
?

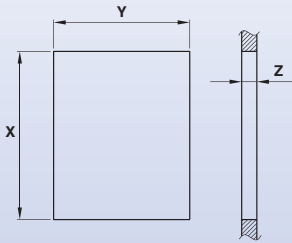
## DRAWING

## TERMINAL



1





Z	Y	X
0,7 ... 2,5	22,2 <sup>+0,3</sup> <sub>0</sub>	27,2 <sup>+0,3</sup> <sub>0</sub>

S	P	6	3	TERMINAL	FUNCTION	RATING	BODY COLOUR	BUTTON COLOUR	MARKING COLOUR	MARKING	0	0

?	?	?	?	?	?	?	0	0
---	---	---	---	---	---	---	---	---

FUNCTION

RATING

BODY COLOUR

BUTTON COLOUR

MARKING COLOUR

MARKING

**4**

**6**

**8**

**N**

**C**

16 (6) A / 250 VAC  
 10 (4) A / 250 VAC - 5E4  
 10 (4) A / 400V  
 T120 °C  
 EN 61058

**1** black

**X** ? custom

**M** white

**N** black

**R** red

**ILLUMINATED** ✨

**G** red

**H** orange

**E** green

**L** white

**X** ? custom

No lens

**0** white

**0** none

**1** black

**2** white

**X** ? custom

**0**

**4**

**7**

**X**

# ACCESSORIES



SP63T1E0000



SP63T1G0000



SP63T1H0000

Other colours available on demand.