



SX8A

TYPICAL APPLICATIONS Small appliances

FUNCTIONS ■ SPST, illuminated or not

CYCLE No. 50.000

CUT OUT 30x22 mm

AMBIENT TEMPERATURE 125 °C

GWT 850 °C

GWT NO FLAME (<2sec) 750 °C on demand

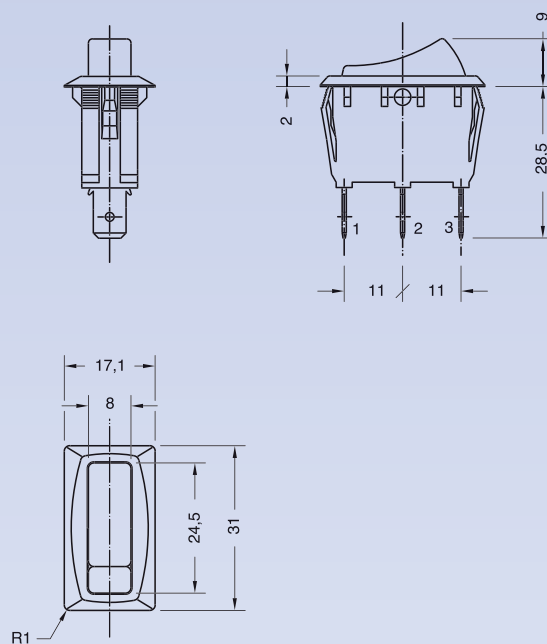


S X 8 A ?

?

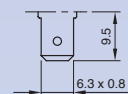
DRAWING

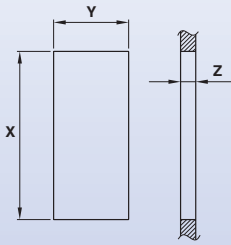
1



TERMINAL

1





US cut out

Z	Y	X
0,7	14,0 ±0,1	28,2 ±0,1

S	X	8	A	DRAWING	TERMINAL	FUNCTION	RATING	BODY COLOUR	ROCKER COLOUR	MARKING COLOUR	MARKING
											0 0 0 0

?	?	?	?	?	?	0	0	0	0
---	---	---	---	---	---	---	---	---	---

FUNCTION

RATING

BODY COLOUR

ROCKER COLOUR

MARKING COLOUR

MARKING

1

6

?

Other function available on demand

8

Function 1
 20 (2) A / 250 VAC
 16 (8) A / 250 VAC
 10 (6) A / 250 VAC - 5E4
 10 (4) A / 400 VAC
 T125/55 °C
 EN 61058

20 A / 125 VAC
 3/4 HP - 125 VAC
 16 A / 250 VAC
 3/4 HP - 250 VAC
 T105 °C
 UL 1054

Function 6
 20 (2) A / 250 VAC
 16 (8) A / 250 VAC
 10 (6) A / 250 VAC - 5E4
 T125/55 °C
 EN 61058

20 A / 125 VAC
 3/4 HP - 125 VAC
 16 A / 250 VAC
 3/4 HP - 250 VAC
 T105 °C
 UL 1054

B

Function 6
 20 (2) A / 250 VAC
 16 (8) A / 250 VAC
 10 (6) A / 250 VAC - 5E4
 T125/55 °C
 EN 61058

16 A / 250 VAC
 3/4 HP - 250 VAC
 T105 °C
 UL 1054

1 black

2 white

X **?** custom

1 black

2 white

9 red

ILLUMINATED ✨

G red

H orange

E green

X **?** custom

0 none

1 black

2 white

X **?** custom

0

1

2

6

C

N

X **?**