



**GP**

**TYPICAL APPLICATIONS** Vacuum and steam cleaners

**FUNCTIONS** ■ DPST, illuminated or not

**CYCLE No.** 50.000

**CUT OUT** 19x13 mm

**AMBIENT TEMPERATURE** 125 °C

**GWT** 850 °C

**GWT NO FLAME (<2sec)** 750 °C on demand



**G P**

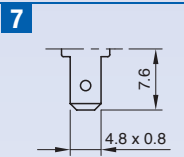
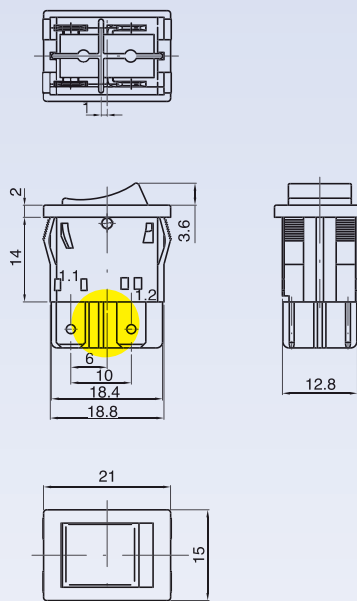
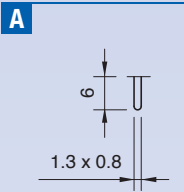
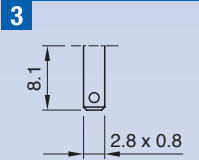
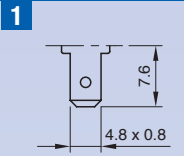
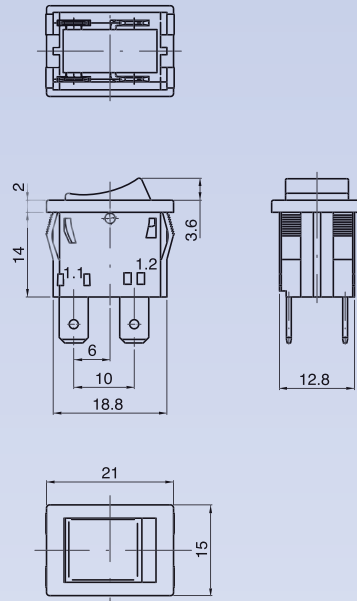
**?**

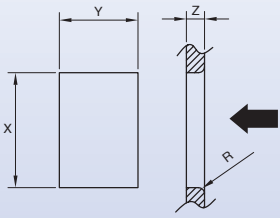
**DRAWING**

**TERMINAL**



WATERPROOF CAP





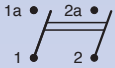
Z	Y	X
0,70 ... 1,25	13,0 ±0,1	19,1 ±0,1
1,25 ... 2,0	13,0 ±0,1	19,4 ±0,1
2,0 ... 3,0	13,0 ±0,1	19,7 ±0,1

TERMINAL	FUNCTION	RATING	BODY COLOUR	ROCKER COLOUR	MARKING COLOUR	MARKING
G	P					
						M 0 0

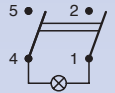
?	?	?	?	?	?	M	0	0
---	---	---	---	---	---	---	---	---

**FUNCTION**

**2**



**8**



**RATING**

**H**

12 A / 250 VAC  
 6 (6) A / 250 VAC  
 2 / 120 A - 250 VAC  
 5 (5) A / 250 VAC - 5E4  
 T125/55 °C  
 EN 61058

15 A / 125 VAC  
 12 A / 250 VAC  
 T65 °C  
 UL 1054

**BODY COLOUR**

**1**



black

**2**



white

**X**



custom

**ROCKER COLOUR**

**1**



black

**2**



white

**9**



red

ILLUMINATED ✨

**G**



red

**E**



green

**X**



custom

**MARKING COLOUR**

**0**



none

**1**



black

**2**



white

**8**



red

**X**



custom

**MARKING**

**0**



**1**



**4**



**6**



**R**



**X**

