



SX81

TYPICAL APPLICATIONS Refrigerators, electromedical appliances
coffee machines, gardening equipments

FUNCTIONS

- SPST, momentary or not
- SPST illuminated
- SPDT
- SPCO

CYCLE No. 50.000

CUT OUT 30x11 mm

AMBIENT TEMPERATURE 125 °C

GWT 850 °C

GWT NO FLAME (<2sec) 750 °C on demand



S X 8 1 ?

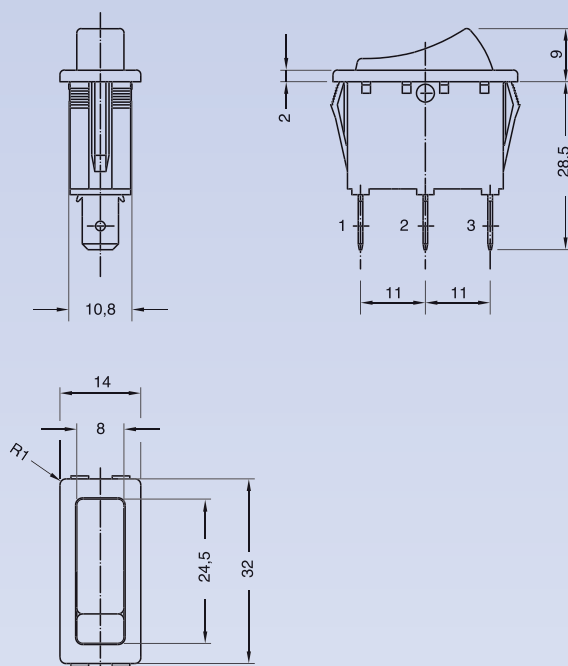
?

DRAWING

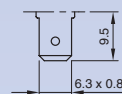
TERMINAL



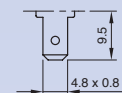
WATERPROOF CAP



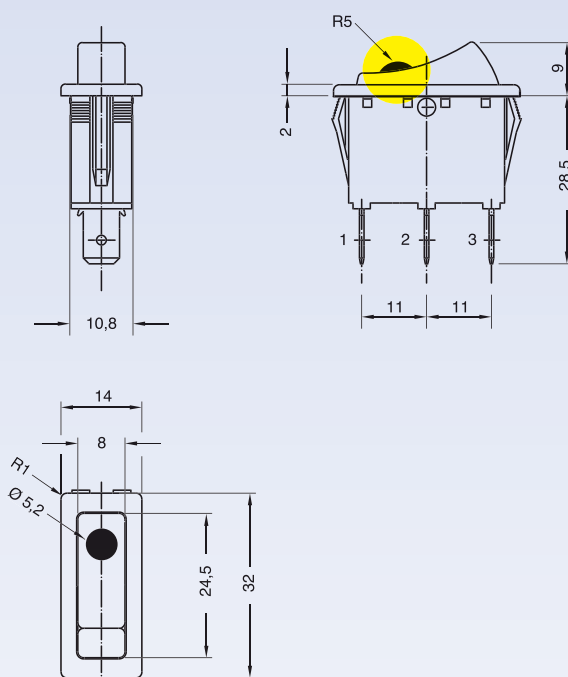
1

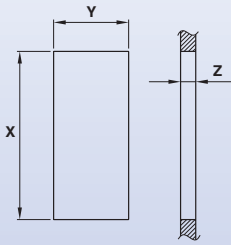


2



3





	Z	Y	X
PLASTIC	0,7 ... 3,5	11,0 ±0,1	30,0 ^{+0,2} / ₀
METAL	0,7 ... 2,5	11,0 ±0,1	30,2 ^{+0,2} / ₀

S	X	8	1	DRAWING	TERMINAL	FUNCTION	RATING	BODY COLOUR	ROCKER COLOUR	MARKING COLOUR	MARKING	LENS COLOUR	0	0	0
---	---	---	---	---------	----------	----------	--------	-------------	---------------	----------------	---------	-------------	---	---	---

?	?	?	?	?	?	?	0	0	0
FUNCTION	RATING	BODY COLOUR	ROCKER COLOUR	MARKING COLOUR	MARKING	LENS COLOUR			

1

3

4

5

6

8

Function 1
 20 (2) A / 250 VAC *
 16 (8) A / 250 VAC
 10 (4) A / 400 VAC
 10 (6) A / 250 VAC - 5E4
 T125/55 °C
 EN 61058

20 A / 125 VAC
 16 A / 250 VAC
 3/4 HP - 125 / 250 VAC
 T105 °C
 UL 1054

Function 3 - 4 - B
 16 (6) A / 250 VAC
 10 (4) A / 400 VAC
 10 (4) A / 250 VAC - 5E4
 T125/55 °C
 EN 61058

20 A / 125 VAC
 16 A / 250 VAC
 3/4 HP - 125 / 250 VAC
 T105 °C
 UL 1054

Function 5
 16 (6) A / 250 VAC
 10 (4) A / 250 VAC - 5E4
 T125/55 °C
 EN 61058

16 A - 125 / 250 VAC
 3/4 HP - 125 / 250 VAC
 T105 °C
 UL 1054

Function 6
 20 (2) A / 250 VAC *
 16 (8) A / 250 VAC
 10 (6) A / 250 VAC - 5E4
 T125/55 °C
 EN 61058

20 A / 125 VAC
 16 A / 250 VAC
 3/4 HP - 125 / 250 VAC
 T105 °C
 UL 1054

* Not available with terminal 2

1 black

2 white

X custom

1 black

2 white

9 red

ILLUMINATED ✨

G red

H orange

E green

X custom

0 none

1 black

2 white

X custom

0 none

1

2

6

A

C

N

X custom

0 none

ILLUMINATED ✨

G red

H orange

E green

X custom