



B10

TYPICAL APPLICATIONS Ironing systems

- FUNCTIONS**
- SPST, momentary or not
 - SPDT, momentary or not
 - SPCO

CYCLE No. 50.000

CUT OUT 27x12 mm

AMBIENT TEMPERATURE 120 °C

GWT 850 °C

GWT NO FLAME (<2sec) 750 °C on demand

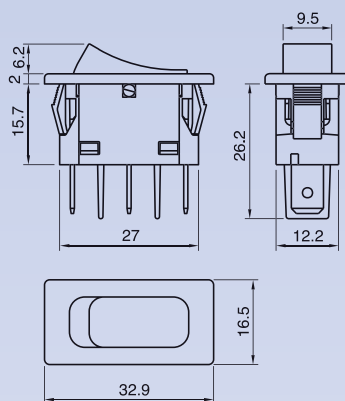


B 1 0

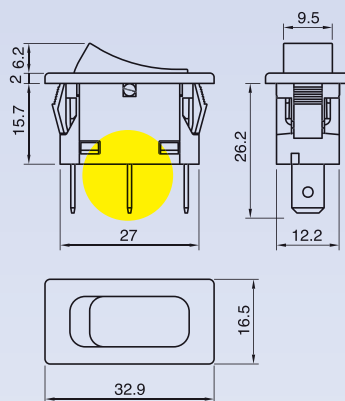
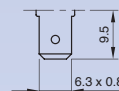
?

DRAWING

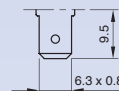
TERMINAL



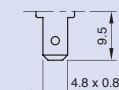
1



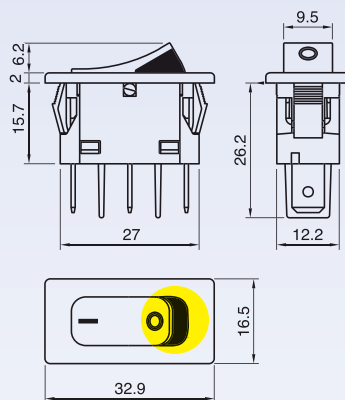
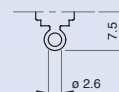
6



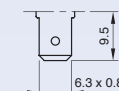
T

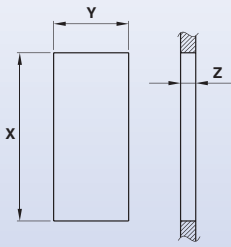


U



3





Z	Y	X
0,75 ... 1,25	12,4	$\begin{matrix} +0,2 \\ 0 \end{matrix}$ 27,4 $\begin{matrix} +0,1 \\ 0 \end{matrix}$
1,25 ... 2,0	12,4	$\begin{matrix} +0,2 \\ 0 \end{matrix}$ 27,6 $\begin{matrix} +0,1 \\ 0 \end{matrix}$
2,0 ... 3,0	12,4	$\begin{matrix} +0,2 \\ 0 \end{matrix}$ 27,8 $\begin{matrix} +0,1 \\ 0 \end{matrix}$

TERMINAL	FUNCTION	RATING	BODY COLOUR	ROCKER COLOUR	MARKING COLOUR	MARKING
B	1	0				
						0 0 0

?	?	?	?	?	?	?	0	0	0
---	---	---	---	---	---	---	---	---	---

FUNCTION

1

3 Terminal 1 - 6 - U

4 Terminal 1 - 6 - U

5 Terminal 1 - 6 - U

A Terminal 1 - 6 - U

B Terminal 1 - 6 - U

RATING

1

Function 1

4 (1) A / 250 VAC
 2 (0.5) A / 250V - 5E4
 T120/55 °C
 EN 61058

C

Terminal 1 - 6 - U - 3

16 (6) A / 250 VAC
 10 (4) A / 250 VAC - 5E4
 T120/55 °C
 EN 61058

20 A / 125 VAC
 16 A / 250 VAC
 1/3 HP - 125 VAC
 3/4 HP - 250 VAC
 T85 °C
 UL 1054
 CSA C22.2

BODY COLOUR

1 black

2 white

X custom

ROCKER COLOUR

1 black

2 white

9 red

X custom

MARKING COLOUR

0 none

1 black

2 white

5 grey

7 light blue

8 red

9 orange

X custom

MARKING

0

1

2

9

A

N

X

Terminal 3 side and marking

8 green

Terminal 3 from mould

1