



# A4

**TYPICAL APPLICATIONS** Vacuum cleaners, H VAC

- FUNCTIONS**
- SPST, momentary or not
  - DPST, illuminated or not
  - DPCO
  - DPDT, momentary or not

**CYCLE No.** 50.000

**CUT OUT** 19x22 mm

**AMBIENT TEMPERATURE** 125 °C

**GWT** 850 °C

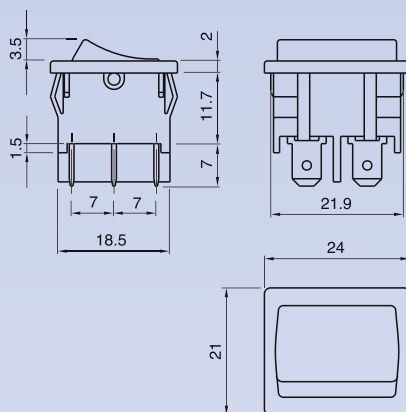
**GWT NO FLAME (<2sec)** 750 °C on demand



A

4

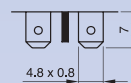
## DRAWING



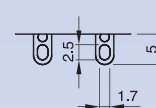
?

## TERMINAL

1

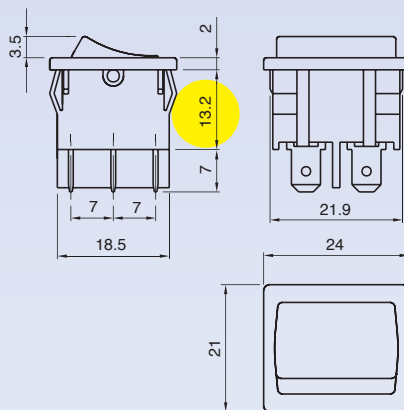


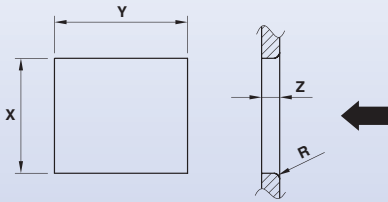
2



WATERPROOF CAP

## Function 9





Z	Y	X
0,7 ... 1,25	22,0 ±0,1	19,0 ±0,2
1,25 ... 2,0	22,0 ±0,1	19,3 ±0,2
2,0 ... 3,0	22,0 ±0,1	19,6 ±0,2

TERMINAL	FUNCTION	RATING	BODY COLOUR	ROCKER COLOUR	MARKING COLOUR	MARKING
A	4					0 0 0

?	?	?	?	?	?	0	0	0
---	---	---	---	---	---	---	---	---

**FUNCTION**

**1**

**2**

**4**

**8**

**9**

**L**

**M**

**RATING**

**2**

**Function 4 - M**  
**6 (2) A / 250 VAC**  
**3 (1) A / 250 VAC - 5E4**  
**T125/55 °C - T125 °C**  
**EN 61058**

6 A - 125 / 250 VAC  
 1/6 HP - 250 VAC  
 1/10 HP - 125 VAC  
 T105 °C  
 UL 1054  
 CSA C22.2

**3**

**Function 1 - 2 - L - 8**  
**10 (4) A / 250 VAC**  
**6 (4) A / 250 VAC - 5E4**  
**T125/55 °C - T125 °C**  
**EN 61058**

10 A - 125 / 250 VAC  
 1/3 HP - 125 VAC  
 1/2 HP - 250 VAC  
 T105 °C  
 UL 1054  
 CSA C22.2

**6**

**Function 9**  
**10 (2) A / 250 VAC**  
**6 (1) A / 250 VAC - 5E4**  
**T125/55 °C - T125 °C**  
**μ disconnection**  
**EN 61058**

6 A - 125 / 250 VAC  
 1/8 HP - 125 VAC  
 1/6 HP - 250 VAC  
 T105 °C  
 UL 1054  
 CSA C22.2

**B**

**Function 2**  
**13 (4) A / 250 VAC**  
**8 (8) A / 250 VAC - 5E4**  
**T125/55 °C - T125 °C**  
**EN 61058**

15 A / 125 VAC  
 10 A / 250 VAC  
 1/3 HP - 125 VAC  
 1/2 HP - 250 VAC  
 T105 °C  
 UL 1054  
 CSA C22.2

**Function 9**  
**13 (4) A / 250 VAC**  
**6 (4) A / 250 VAC - 5E4**  
**T125/55 °C - T125 °C**  
**μ disconnection**  
**EN 61058**

15 A / 125 VAC  
 10 A / 250 VAC  
 1/3 HP - 125 VAC  
 1/2 HP - 250 VAC  
 T105 °C  
 UL 1054  
 CSA C22.2

**BODY COLOUR**

**1** black

**2** white

**X** custom

**ROCKER COLOUR**

**1** black

**2** white

**ILLUMINATED ✨**

**G** red

**H** orange

**E** green

**L** white

**X** custom

**MARKING COLOUR**

**0** none

**1** black

**2** white

**5** grey

**7** light blue

**8** red

**9** orange

**X** custom

**MARKING**

**0**

**1**

**2**

**3**

**ON OFF**

**5**

**9**

**C**

**K**

**N**

**Z**

**X**



# A4

<b>TYPICAL APPLICATIONS</b>	Vacuum cleaners, H VAC
<b>FUNCTIONS</b>	<ul style="list-style-type: none"> <li>■ DPST, illuminated or not</li> <li>■ DPDT</li> </ul>
<b>CYCLE No.</b>	50.000
<b>CUT OUT</b>	19x22 mm
<b>AMBIENT TEMPERATURE</b>	125 °C
<b>GWT</b>	850 °C
<b>GWT NO FLAME (&lt;2sec)</b>	750 °C on demand



**A 4**

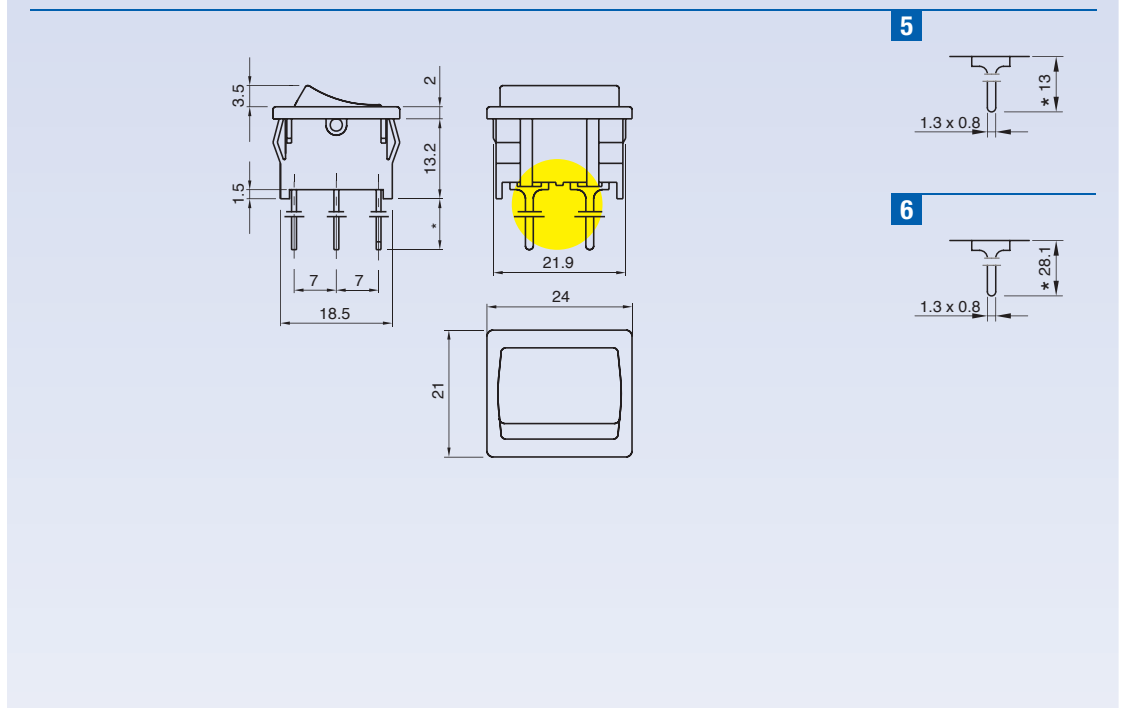
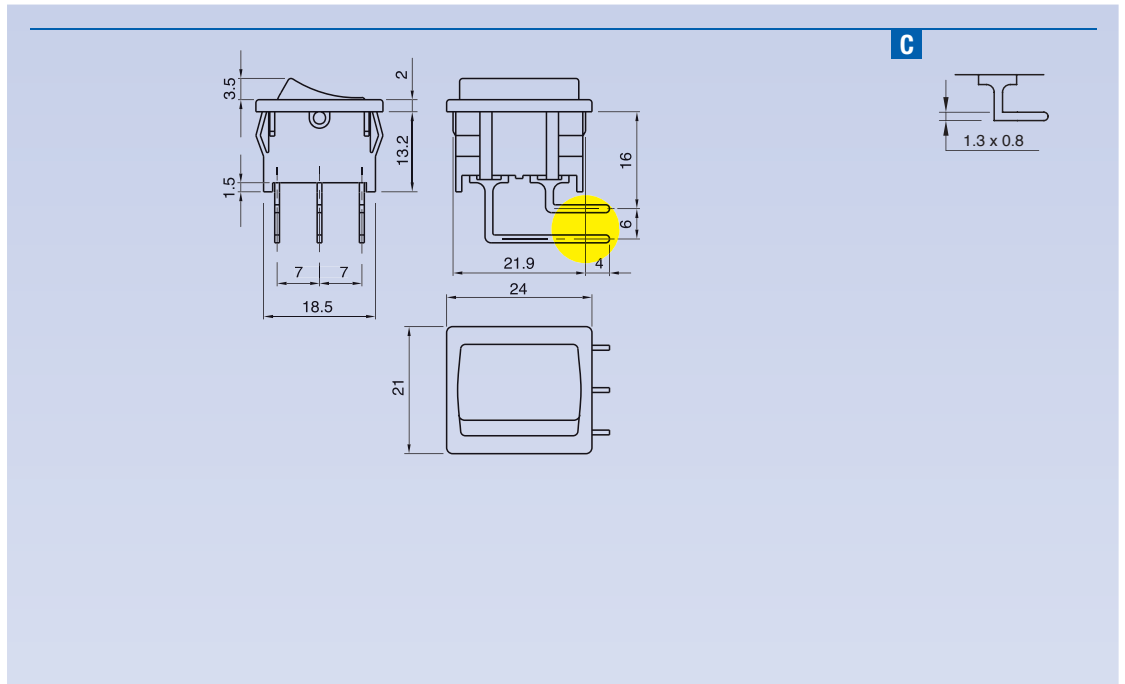
## DRAWING

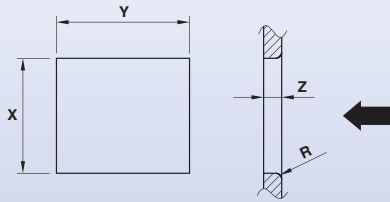
**?**

## TERMINAL



WATERPROOF CAP





Z	Y	X
0,7 ... 1,25	22,0 ±0,1	19,0 ±0,2
1,25 ... 2,0	22,0 ±0,1	19,3 ±0,2
2,0 ... 3,0	22,0 ±0,1	19,6 ±0,2

TERMINAL	FUNCTION	RATING	BODY COLOUR	ROCKER COLOUR	MARKING COLOUR	MARKING
A	4					0 0 0

?	?	?	?	?	?	?	0	0	0
---	---	---	---	---	---	---	---	---	---

**FUNCTION**

**RATING**

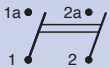
**BODY COLOUR**

**ROCKER COLOUR**

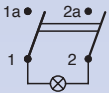
**MARKING COLOUR**

**MARKING**

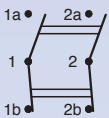
**2** Terminal C - 6



**8** Terminal C



**L** Terminal 5



**3**

10 (4) A / 250 VAC  
 6 (4) A / 250 VAC - 5E4  
 T125/55 °C - T125 °C  
 EN 61058

10 A - 125 / 250 VAC  
 1/3 HP - 125 VAC  
 1/2 HP - 250 VAC  
 T105 °C  
 UL 1054  
 CSA C22.2

**1**

black

**2**

white

**X** ?

custom

**1**

black

**2**

white

ILLUMINATED ✨

**G**

red

**H**

orange

**E**

green

**L**

white

**X** ?

custom

**0**

none

**1**

black

**2**

white

**5**

grey

**7**

light blue

**8**

red

**9**

orange

**X** ?

custom

**0**



**1**



**2**



**3**



**5**



**C**



**K**



**Z**



**X**

