



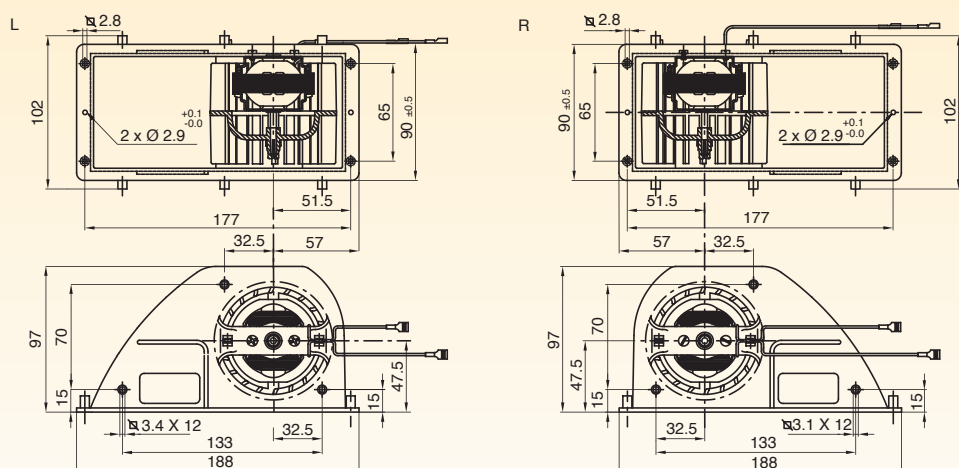
## FEATURES

Housing of PA-FG with lateral screw fixing

PA centrifugal fan

Motor diameter 58 / T12

## DRAWING



## OPTIONS

Version with left or right aspiration available

Thermal protection on request

