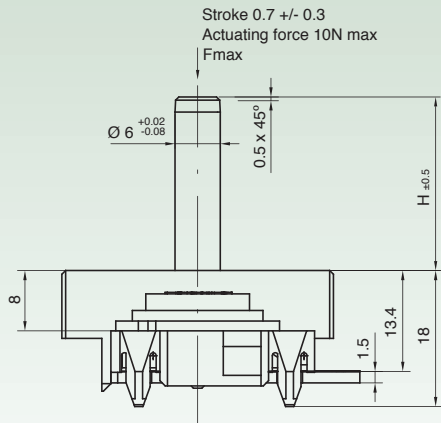


**MK**

MINICODI	FIXING TYPE	H SHAFT (mm)	NUMBER OF POSITIONS
<b>MK1</b>	Screw m4	<ul style="list-style-type: none"> <li>■ 13</li> <li>■ 18,7</li> </ul>	<ul style="list-style-type: none"> <li>■ 21 positions free rotation</li> </ul>
<b>MK2</b>	Self tapping screw	<ul style="list-style-type: none"> <li>■ 23</li> <li>■ 24</li> </ul>	<ul style="list-style-type: none"> <li>■ 20 positions free rotation</li> <li>■ Double momentary</li> </ul>

**SHAFT**



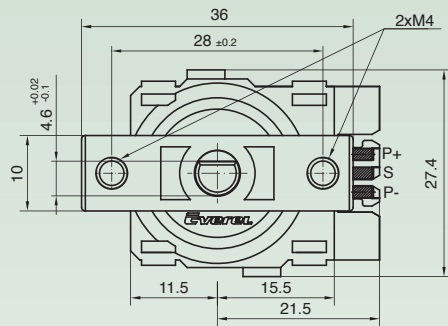
**PUSH TO SELECT**

The push to select accessory is used to select a scroll menu function and to confirm the selected value (i.e. temperature).

**MK1**

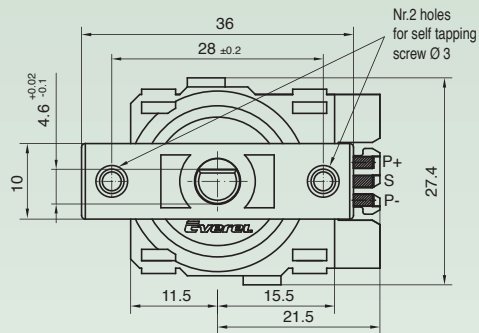


**MK1**



MK1 encoder, version with M4 screw fixing type.

**MK2**



MK2 encoder, version with self tapping screw fixing type.

**MK2**

