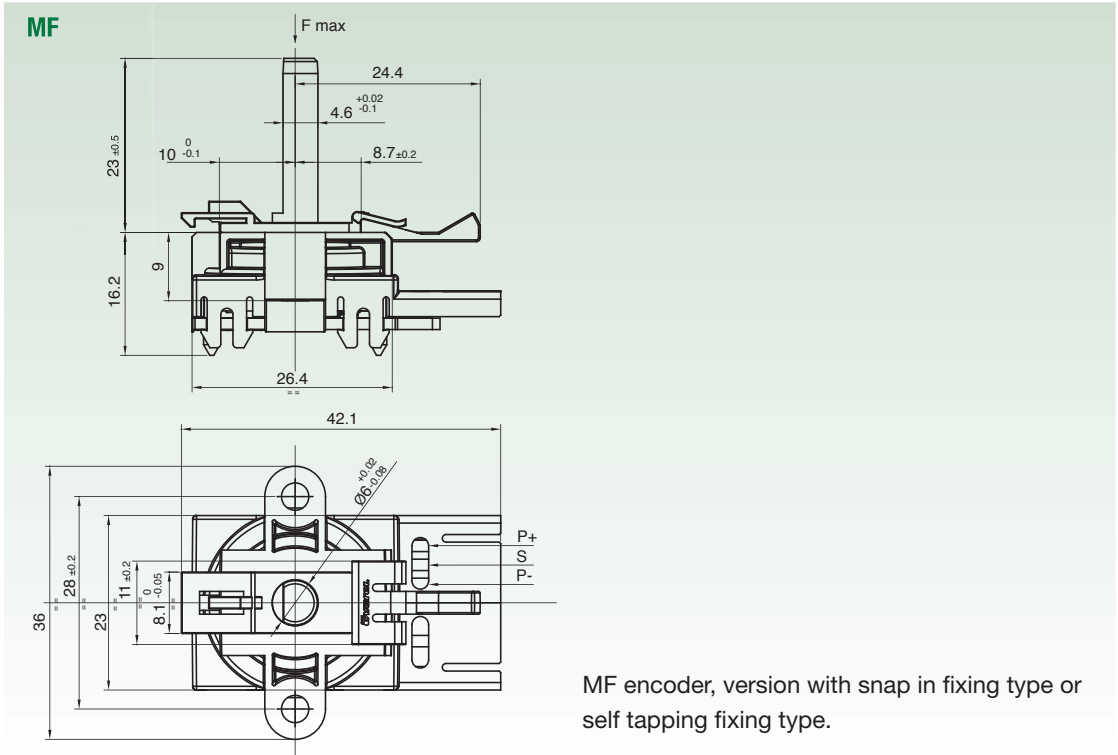


MF



MINICODI	FIXING TYPE	H SHAFT (mm)	NUMBER OF POSITIONS
MF	<ul style="list-style-type: none"> ■ Self tapping screw ■ Snap in 	<ul style="list-style-type: none"> ■ 23 	<ul style="list-style-type: none"> ■ 3 P ■ 6 P ■ 8 P ■ 10 P ■ 12 P

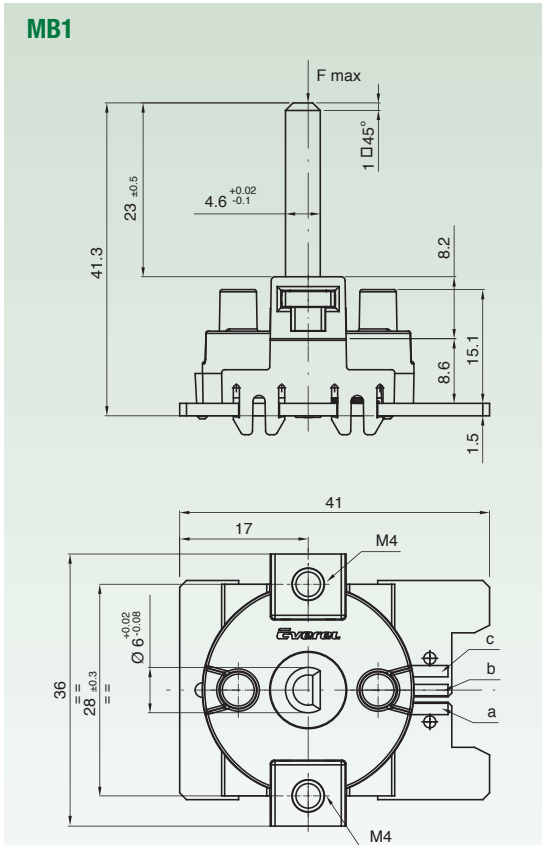


MF encoder, version with snap in fixing type or self tapping fixing type.

MB

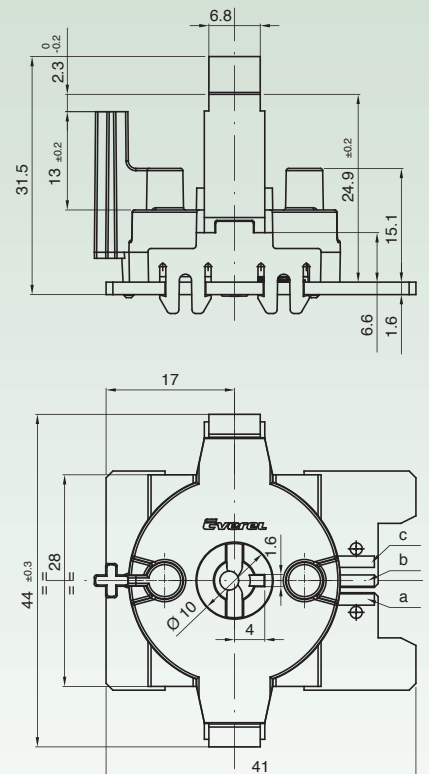
MINICODI	FIXING TYPE	H SHAFT (mm)	NUMBER OF POSITIONS
MB1	Screw m4	<ul style="list-style-type: none"> ■ 13,7 cross ■ 23 	<ul style="list-style-type: none"> ■ Free rotation with 1 position at 0° ■ Free rotation with 20 positions
MB2	Snap in		

MB1



MS1 encoder, version with M4 screw fixing type.

MB2



MS2 encoder, version with snap in fixing type.

MB2

