



PA277 S

Cable clamp



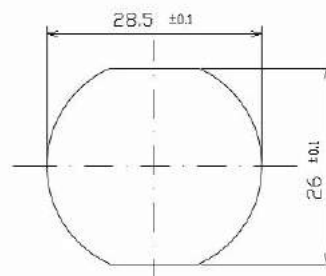
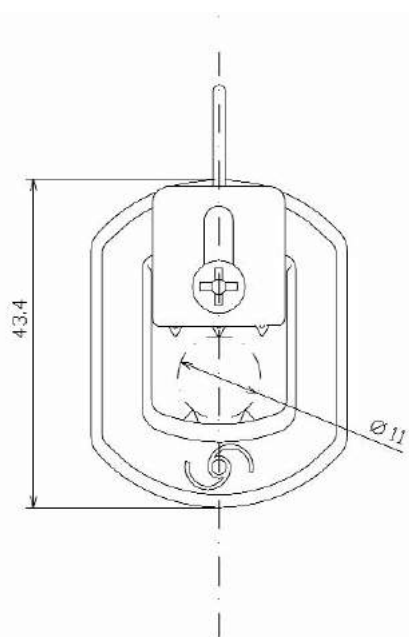
Technical data

	A	B	C	D	E	F
Dimensions mm (inches)	28.5 (1.12)	26 (1.02)	32 (1.26)	2.5 (0.09)	45 (1.77)	21.5 (0.84)
	IEC STANDARDS			AMERICAN STANDARDS		
Wire size	Ø Gr. 11 mm			20 ÷ 16 AWG (max. cable Ø 0.43")		
Working Temperature	- 5 ÷ 110°C (short time 140°C)			23 ÷ 221°F		
Plastic Material	Polyamide, UL 94 V2, GWIT 775°C, GWFI 850°C					
Cable Clamp Screw for plastic use	3.5 x 15 mm (0.13" x 0.59") - 0.8Nm - P.N. 910189					

Approvals	File Nr.	Ratings (sqmm/AWG - V - A - T)	Standard References
	CA04.05515	Ø Gr. 11 mm - 110°C	CTP-003 II; EN 60335-1 (clause 25.15)
	40021461	Ø Gr. 11 mm - 110°C	EN 60598-1 (VDE 0711)
	Approval pending		

Dimensional drawing

I dati tecnici possono essere modificati senza preavviso. / The technical data can be subject to changes without notice.



Thickness panel cut-out from 0.8 to 1.5mm



PA277 S

Packaging

Type	P-N	Pack.	Dim. Pack. (LxHxP)	Weight (Kg)
PA277 S	9961871301	1000	40x40x20	7.5



Notes
