





# PA268

**Cable clamp.  
For snap-in fixing on chassis**



## TECHNICAL DATA

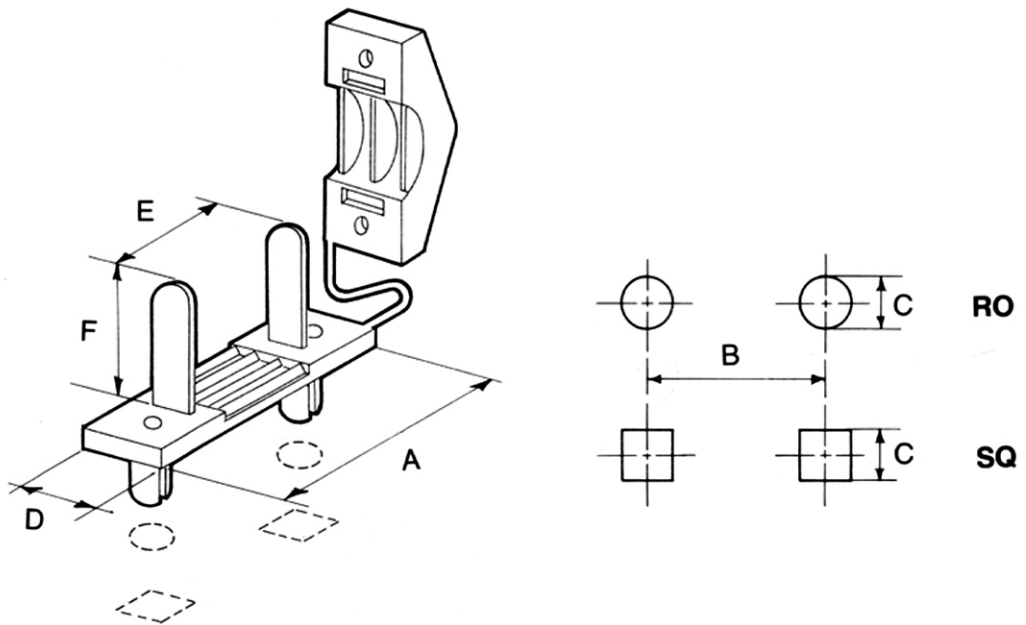
|   | IEC Standards   |  |              | American Standards                             |              |              |              |
|---|---|--|--------------|--|--------------|--------------|--------------|
|   |   | A  | B            | C  | D            | E            | F            |
| <b>Dimensions / Versions</b><br>mm (inches)   | <b>RO</b>   | 45<br>(1.77)                             | 31<br>(1.22) | 8<br>(0.31)                                    | 15<br>(0.59) | 21<br>(0.83) | 20<br>(0.79) |
|   | <b>SQ</b>   |  |              | 7<br>(0.28)                                    |              |              |              |
| <b>Versions</b>   | RO: for round fixing holes; SQ: for square fixing holes |  |              |  |              |              |              |
| <b>Wire size</b>  | 3 x 0.75 sqmm + 5 x 6.0 sqmm<br>(max. cable Ø 20 mm)    |  |              | 3 x 20 AWG + 3 x 10 AWG<br>(max. cable Ø 0.8") |              |              |              |
| <b>Working Temperature</b>  | - 5 ÷ 125°C (short time 155°C)                          |  |              | 23 ÷ 221°F                                     |              |              |              |
| <b>Plastic Material</b>   | Polyamide PA6 black colour, UL94 V2, GWT 850°C          |  |              |  |              |              |              |
| <b>Cable Clamp Screw</b>  | 3.5 x 25 mm (0.14" x 1.00") HI-LO                       |  |              |  |              |              |              |
| Approvals   | File Nr.  | Ratings (sqmm/AWG – V – A – T)           |              | Standard References                            |              |              |              |
|  | E 6170  | Gr. 6.5/20 mm - 3x0.75 sqmm / 5x6.0 sqmm |              | EN 60598-1 /A1; /A12; /A13; EN 60335-1         |              |              |              |
|  | LR 40455  | accessory, strain relief                 |              | CSA C22-2 N.158-1987; E.C.N 584B               |              |              |              |





# PA268

DIMENSIONAL  
DRAWING



**PACKAGING**

| Type      | P-N    | Pack. | Dim. Pack. (LxHxP) | Weight (Kg) |
|-----------|--------|-------|--------------------|-------------|
| PA 268 RO | 970642 | 2000  | 40x39x40           | 13          |
| PA 268 SQ | 970643 | 2000  | 40x39x40           | 13          |

