






FX5773

Cable clamp with connector



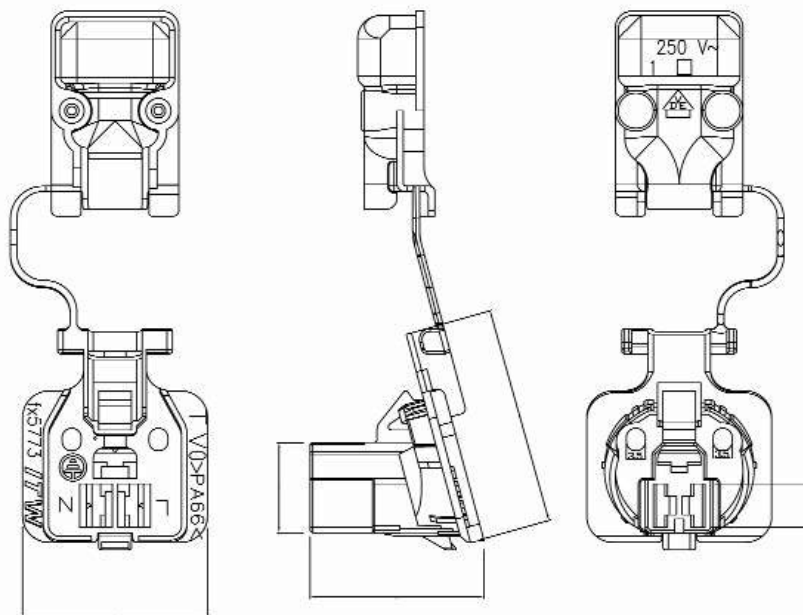
Technical data

	IEC STANDARDS	AMERICAN STANDARDS
Ratings	250V - 13.5A	250V - 13.5A
Wire size	1.0 sqmm	17 AGW
Working Temperature	- 10 ÷ 125°C (short time 155°C)	14 ÷ 248°F
Plastic Material	Polyamide, UL94 VO, GWIT 775°C, GWFI 850°C	
Cable Clamp screw for plastic use	3.5 x 12 mm (0.13" x 0.47") - 0.8Nm - P.N. 910188	

Approvals	File Nr.	Ratings (sqmm/AWG - V - A - T)	Standard References
	<i>Approval pending</i>		
	40015077	1.0 sqmm - 250V - 13.5A - 125°C	EN 61984 (VDE 0627)
	E301062, Vol. 1, Sec. 1	120°C	UL1977

Dimensional drawing

I dati tecnici possono essere modificati senza preavviso. / The technical data can be subject to changes without notice.





FX5773

Packaging

Type	P-N	Pack.	Dim. Pack. (LxHxP)	Weight (Kg)
FX 5773	3757731D00	1000	60x40x39	10



Notes
