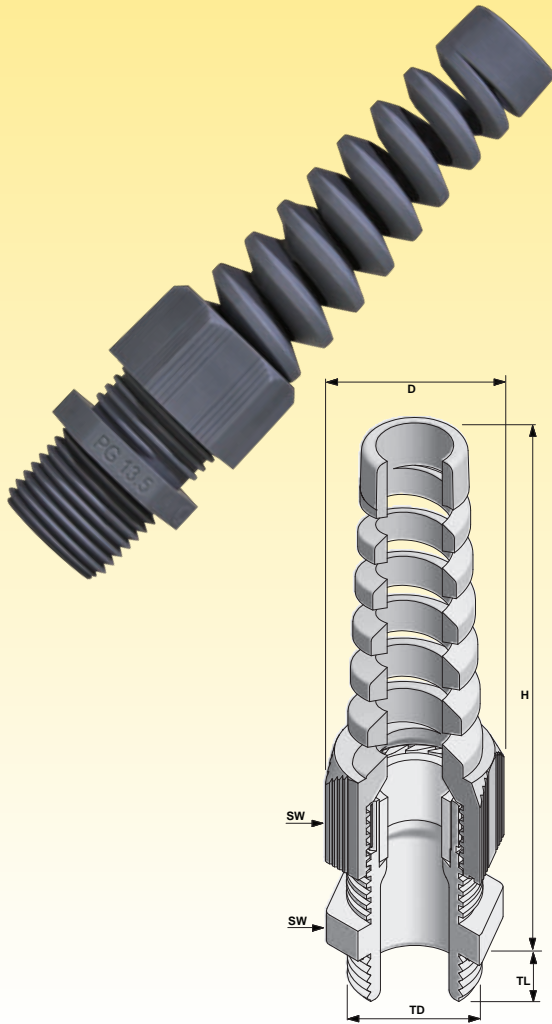


BSSP-BSRP

PG THREAD CABLE GLANDS

CABLE PROTECTION SERIES



Technical Details		
Material	Body	PA 6 (Polyamide 6)
	Cap	PA 6 (Polyamide 6)
	Seal	CR (Chloroprene Rubber)
Flammability	V2 (According to UL 94)	
Protection Class	IP 68 - 5 Bar	
Operating Temperature	Permanent	-20 °C up to +100 °C
	Intermittent	-30 °C up to +150 °C
Attachment Thread	DIN 40430	

Benefits	
	Offers additional security against conductor damage especially in moving machine parts. Easy to assemble Easy handling

Accessories	
	Lock nuts Reducing seals Flat cable seals Multihole seals

Approvals	
	VDE, UL, UR, CSA, see page 82
UV Test Report Ref. & Standard	RES 107572 & UL514B § 8.26.7

Remarks	
	Different sealing types available Large accessory range Manufactured according to the requirements of EN 50262

Thread Type	Clamping Range Ø min-max mm	Technical Information					Codes			Packing Information	
		TL mm	TD mm	SW mm	Max. H mm	D mm	Ral 7001	Ral 7035	Ral 9005	Inner Pack	Box/Min.OQ
Pg 7	3,0 - 6,5	8	12,50	15	55	17,1	BSSP-01	BSSP-11	BSSP-21	100	4.000
Pg 9	4,0 - 8,0	8	15,20	19	66	21,6	BSSP-02	BSSP-12	BSSP-22	50	2.000
Pg 11	5,0 - 10,0	8	18,60	22	79	25,0	BSSP-03	BSSP-13	BSSP-23	50	1.500
Pg 13,5	6,0 - 12,0	9	20,40	24	95	27,8	BSSP-04	BSSP-14	BSSP-24	50	1.000
Pg 16	10,0 - 14,0	10	22,50	27	105	30,8	BSSP-05	BSSP-15	BSSP-25	50	500
Pg 21	13,0 - 18,0	11	28,30	33	118	37,8	BSSP-06	BSSP-16	BSSP-26	25	500
Glands With Reducing Sealing											
Pg 7	2,0 - 5,0	8	12,50	15	55	17,1	BSRP-01	BSRP-11	BSRP-21	100	4.000
Pg 9	2,0 - 6,0	8	15,20	19	66	21,6	BSRP-02	BSRP-12	BSRP-22	50	2.000
Pg 11	3,0 - 7,0	8	18,60	22	79	25,0	BSRP-03	BSRP-13	BSRP-23	50	1.500
Pg 13,5	5,0 - 9,0	9	20,40	24	95	27,8	BSRP-04	BSRP-14	BSRP-24	50	1.000
Pg 16	7,0 - 12,0	10	22,50	27	105	30,8	BSRP-05	BSRP-15	BSRP-25	50	500
Pg 21	9,0 - 16,0	11	28,30	33	118	37,8	BSRP-06	BSRP-16	BSRP-26	25	500