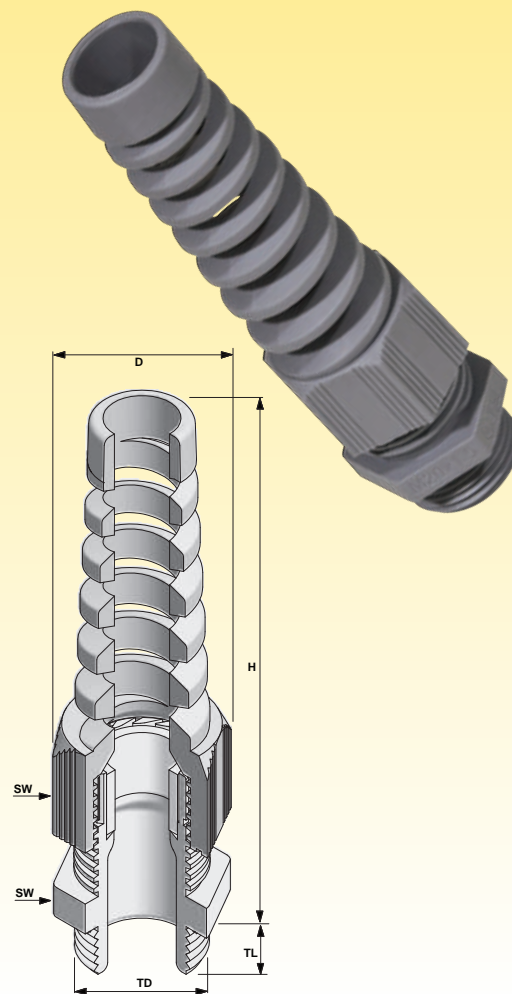


# METRIC THREAD CABLE GLANDS

# BMSP-BISP

CABLE PROTECTION SERIES

Technical Details		
<b>Material</b>		
Body	PA 6 (Polyamide 6)	
Cap	PA 6 (Polyamide 6)	
Seal	CR (Chloroprene Rubber)	
<b>Flammability</b>		
V2 (According to UL 94)		
<b>Protection Class</b>		
IP 68 - 5 Bar		
<b>Operating Temperature</b>		
Permanent	-20 °C up to +100 °C	
Intermittent	-30 °C up to +150 °C	
<b>Attachment Thread</b>		
EN 60423		
<b>Benefits</b>		
Offers additional security against conductor damage especially in moving machine parts. Easy to assemble Easy handling		
<b>Accessories</b>		
Lock nuts Reducing seals Flat cable seals Multihole seals		
<b>Approvals</b>		
VDE, UL, UR, CSA, see page 82		
UV Test Report Ref. & Standard		
RES 107572 & UL514B § 8.26.7		
<b>Remarks</b>		
Different sealing types available Large accessory range Manufactured according to the requirements of EN 50262		



Thread Type	Clamping Range Ø min-max mm	Technical Information					Codes			Packing Information	
		TL mm	TD mm	SW mm	Max. H mm	D mm	Ral 7001	Ral 7035	Ral 9005	Inner Pack	Box/Min.O Q
M12x1,5	3,0 - 6,5	8	12	15	55	17,1	BMSP-05	BMSP-15	BMSP-25	100	4.000
M16x1,5	5,0 - 10,0	10	16	22	79	25,0	BMSP-01	BMSP-11	BMSP-21	50	1.500
		15					BMSP-01L	BMSP-11L	BMSP-21L		
M20x1,5	6,0 - 12,0	10	20	24	95	27,8	BMSP-02	BMSP-12	BMSP-22	50	1.000
		15					BMSP-02L	BMSP-12L	BMSP-22L		
	10,0 - 14,0	10		27	105	30,8	BMSP-03	BMSP-13	BMSP-23		
		15					BMSP-04	BMSP-14	BMSP-24		
M25x1,5	13,0 - 18,0	10	25	33	118	37,8	BMSP-05	BMSP-15	BMSP-25	25	500
		15					BMSP-06	BMSP-16	BMSP-26		
<b>Glands With Reducing Sealing</b>											
M12x1,5	2,0 - 5,0	8	12	15	55	17,1	BISP-05	BISP-15	BISP-25	100	4.000
M16x1,5	3,0 - 7,0	10	16	22	79	25,0	BISP-01	BISP-11	BISP-21	50	1.500
		15					BISP-01L	BISP-11L	BISP-21L		
M20x1,5	5,0 - 9,0	10	20	24	95	27,8	BISP-02	BISP-12	BISP-22	50	1.000
		15					BISP-02L	BISP-12L	BISP-22L		
	7,0 - 12,0	10		27	105	30,8	BISP-03	BISP-13	BISP-23		
		15					BISP-04	BISP-14	BISP-24		
M25x1,5	9,0 - 14,0	10	25	33	118	37,8	BISP-05	BISP-15	BISP-25	25	500
		15					BISP-06	BISP-16	BISP-26		