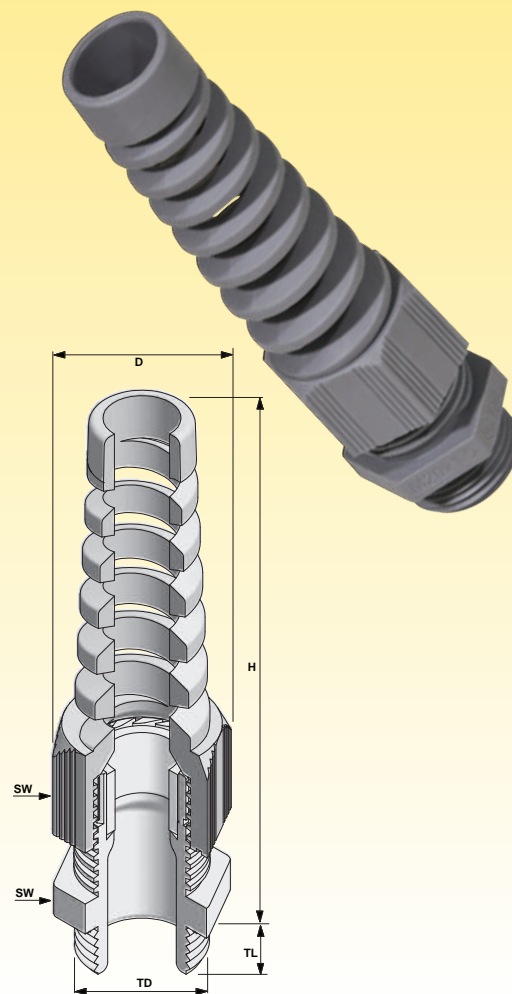


METRIC THREAD CABLE GLANDS

BMSP-BISP

CABLE PROTECTION SERIES

Technical Details		
Material		
Body	PA 6 (Polyamide 6)	
Cap	PA 6 (Polyamide 6)	
Seal	CR (Chloroprene Rubber)	
Flammability		
Protection Class	V2 (According to UL 94)	
Operating Temperature		
Permanent	-20 °C up to +100 °C	
Intermittent	-30 °C up to +150 °C	
Attachment Thread		
	EN 60423	
Benefits		
	Offers additional security against conductor damage especially in moving machine parts. Easy to assemble Easy handling	
Accessories		
	Lock nuts Reducing seals Flat cable seals Multihole seals	
Approvals		
	VDE, UL, UR, CSA, see page 82	
UV Test Report Ref. & Standard		
	RES 107572 & UL514B § 8.26.7	
Remarks		
	Different sealing types available Large accessory range Manufactured according to the requirements of EN 50262	



Thread Type	Clamping Range Ø min-max mm	Technical Information					Codes			Packing Information	
		TL mm	TD mm	SW mm	Max. H mm	D mm	Ral 7001	Ral 7035	Ral 9005	Inner Pack	Box/Min.O Q
M12x1,5	3,0 - 6,5	8	12	15	55	17,1	BMSP-05	BMSP-15	BMSP-25	100	4.000
M16x1,5	5,0 - 10,0	10	16	22	79	25,0	BMSP-01	BMSP-11	BMSP-21	50	1.500
		15					BMSP-01L	BMSP-11L	BMSP-21L		
M20x1,5	6,0 - 12,0	10	20	24	95	27,8	BMSP-02	BMSP-12	BMSP-22	50	1.000
		15					BMSP-02L	BMSP-12L	BMSP-22L		
	10,0 - 14,0	10		27	105	30,8	BMSP-03	BMSP-13	BMSP-23		
		15					BMSP-04	BMSP-14	BMSP-24		
M25x1,5	13,0 - 18,0	10	25	33	118	37,8	BMSP-05	BMSP-15	BMSP-25	25	500
		15					BMSP-06	BMSP-16	BMSP-26		
Glands With Reducing Sealing											
M12x1,5	2,0 - 5,0	8	12	15	55	17,1	BISP-05	BISP-15	BISP-25	100	4.000
M16x1,5	3,0 - 7,0	10	16	22	79	25,0	BISP-01	BISP-11	BISP-21	50	1.500
		15					BISP-01L	BISP-11L	BISP-21L		
M20x1,5	5,0 - 9,0	10	20	24	95	27,8	BISP-02	BISP-12	BISP-22	50	1.000
		15					BISP-02L	BISP-12L	BISP-22L		
	7,0 - 12,0	10		27	105	30,8	BISP-03	BISP-13	BISP-23		
		15					BISP-04	BISP-14	BISP-24		
M25x1,5	9,0 - 14,0	10	25	33	118	37,8	BISP-05	BISP-15	BISP-25	25	500
		15					BISP-06	BISP-16	BISP-26		