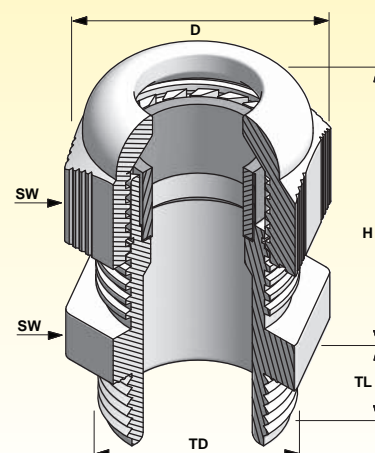


PG THREAD CABLE GLANDS

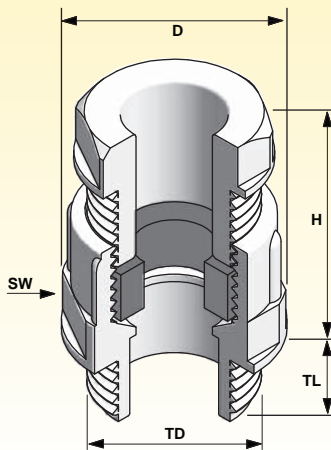
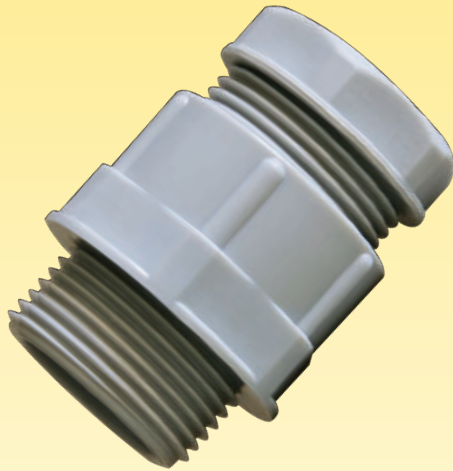
BS & BSR

STANDARD SERIES

Technical Details		
Material		
Body	PA 6 (Polyamide 6)	
Cap	PA 6 (Polyamide 6)	
Seal	CR (Chloroprene Rubber)	
Flammability		
Protection Class	V2 (According to UL 94)	
Operating Temperature		
Permanent	-20 °C up to +100 °C	
Intermittent	-30 °C up to +150 °C	
Attachment Thread		
	DIN 40430	
Benefits		
	Easy to assemble	
	Easy handling	
Accessories		
	Lock nuts	
	Protection tabs	
	Dust plugs	
	Reducing seals	
	Flat cable seals	
	Multihole seals	
Approvals		
	VDE, UL, UR, CSA, see page 82	
UV Test Report Ref. & Standard		
	RES 107572 & UL514B § 8.26.7	
Remarks		
	Other colours on request (Red-White-Blue)	
	Different sealing types available	
	Large accessory range	
	Manufactured according to the requirements of EN 50262	



Thread Type	Clamping Range Ø min-max mm	Technical Information					Codes			Packing Information	
		TL mm	TD mm	SW mm	Max. H mm	D mm	Ral 7001	Ral 7035	Ral 9005	Inner Pack	Box/Min.OQ.
Pg 7	3,0 - 6,5	8	12,50	15	22	17,1	BS-01	BS-11	BS-21	100	6.000
Pg 9	4,0 - 8,0	8	15,20	19	25	21,6	BS-02	BS-12	BS-22	50	3.000
Pg 11	5,0 - 10,0	8	18,60	22	28	25,0	BS-03	BS-13	BS-23	50	2.400
Pg 13,5	6,0 - 12,0	9	20,40	24	29	27,8	BS-04	BS-14	BS-24	50	1.800
Pg 16	10,0 - 14,0	10	22,50	27	31	30,8	BS-05	BS-15	BS-25	50	1.600
Pg 21	13,0 - 18,0	11	28,30	33	35	37,8	BS-06	BS-16	BS-26	25	750
Pg 29	18,0 - 25,0	11	37,00	42	40	48,0	BS-07	BS-17	BS-27	20	600
Pg 36	22,0 - 32,0	13	47,00	53	49	60,0	BS-08	BS-18	BS-28	10	250
Pg 42	30,0 - 38,0	13	54,00	60	49	67,7	BS-09	BS-19	BS-29	10	200
Pg 48	34,0 - 44,0	14	59,30	65	49	72,2	BS-10	BS-20	BS-30	10	200
Glands With Reducing Sealing											
Pg 7	2,0 - 5,0	8	12,50	15	22	17,1	BSR-01	BSR-11	BSR-21	100	6.000
Pg 9	2,0 - 6,0	8	15,20	19	25	21,6	BSR-02	BSR-12	BSR-22	50	3.000
Pg 11	3,0 - 7,0	8	18,60	22	28	25,0	BSR-03	BSR-13	BSR-23	50	2.400
Pg 13,5	5,0 - 9,0	9	20,40	24	29	27,8	BSR-04	BSR-14	BSR-24	50	1.800
Pg 16	7,0 - 12,0	10	22,50	27	31	30,8	BSR-05	BSR-15	BSR-25	50	1.600
Pg 21	9,0 - 16,0	11	28,30	33	35	37,8	BSR-06	BSR-16	BSR-26	25	750
Pg 29	12,0 - 20,0	11	37,00	42	40	48,0	BSR-07	BSR-17	BSR-27	20	600
Pg 36	20,0 - 26,0	13	47,00	53	49	60,0	BSR-08	BSR-18	BSR-28	10	250
Pg 42	25,0 - 31,0	13	54,00	60	49	67,7	BSR-09	BSR-19	BSR-29	10	200
Pg 48	29,0 - 35,0	14	59,30	65	49	72,2	BSR-10	BSR-20	BSR-30	10	200







Technical Details		
Material	Body	PA 6 (Polyamide 6)
	Cap	PA 6 (Polyamide 6)
	Seal	TPE
	Pres. Washer	PP
Flammability	V2 (According to UL 94)	
Protection Class	IP 54	
Operating Temperature	-20 °C up to +80 °C	
Attachment Thread	DIN 40430	

Benefits	
	Consisting of a hardened plastic casing Pressure screw

Accessories	
	Lock nuts

Approvals	
	VDE, UL, UR, CSA, see page 82

Thread Type	 Clamping Range Ø min-max mm	Technical Information					Codes	Packing Information	
		TL mm	TD mm	 SW mm	Max. H mm	D mm	Ral 7035	 Inner Pack	 Box/Min.OQ
Pg 7	3,0 - 6,0	8	12,50	15	22	14,0	BD-11	100	6.000
Pg 9	4,5 - 7,0	8	15,20	19	23	17,0	BD-12	100	5.000
Pg 11	6,0 - 9,0	8	18,60	22	25	21,2	BD-13	100	3.000
Pg 13,5	9,0 - 12,0	9	20,40	24	26	22,8	BD-14	100	2.000
Pg 16	11,0 - 14,0	10	22,50	27	28	25,2	BD-15	100	1.600
Pg 21	14,0 - 18,0	11	28,30	33	32	31,8	BD-16	50	1.000
Pg 29	18,0 - 25,0	11	37,00	42	36	43,0	BD-17	25	500
Pg 36	25,0 - 32,0	13	47,00	53	47	53,1	BD-18	10	250