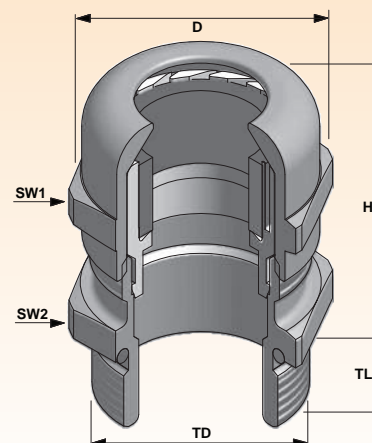







PG THREAD CABLE GLANDS

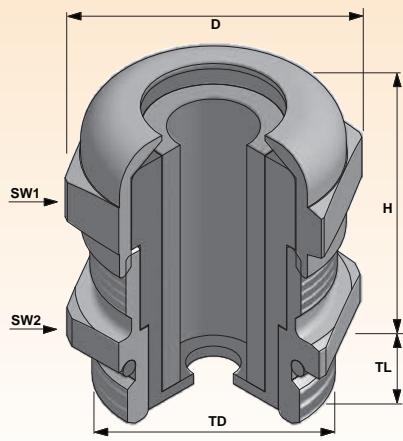
BSBC-BSBE

STANDARD SERIES

Technical Details		
Material		
Body	Brass, Nickel plated	
Cap	Brass, Nickel plated	
Seal	CR (Chloroprene Rubber)	
Clamp.Insert	Polyamide 6	
O-ring	NBR	
Flammability	V2 (According to UL 94)	
Protection Class	IP 68 - 5 Bar	
Operating Temperature		
Permanent	-20 °C up to +100 °C	
Intermittent	-40 °C up to +150 °C	
Attachment Thread		
DIN 40430		
Benefits		
Suitable for highest demands of todays technology		
Easy to assemble		
Easy handling		
Water tight		
Strain relief		
Accessories		
Lock nuts		
Reducing seals		
Flat cable seals		
Multihole seals		
Approvals		
VDE, UL, UR, CSA, see page 82		
Remarks		
Different sealing types available		
Large accessory range		
Manufactured according to the requirements of EN 50262		



Thread Type	 Clamping Range Ø min-max mm	Technical Information						Codes	Packing Information	
		TL mm	TD mm	 SW1 mm	 SW2 mm	Max. H mm	D mm		 Inner Pack	 Box/Min.OQ
Pg 7	3,0 - 6,5	6,0	12,5	14,0	14,0	21,8	15,5	BSBC-01	50	2.000
Pg 9	4,0 - 8,0	6,0	15,2	17,0	17,0	22,6	18,9	BSBC-02	50	1.500
Pg 11	5,0 - 10,0	6,0	18,6	20,0	20,0	25,3	22,0	BSBC-03	50	1.000
Pg 13,5	6,0 - 12,0	6,5	20,4	22,0	22,0	24,1	24,5	BSBC-04	50	800
Pg 16	10,0 - 14,0	6,5	22,5	24,0	24,0	27,5	26,8	BSBC-05	25	500
Pg 21	13,0 - 18,0	7,2	28,3	30,0	30,0	31,2	33,0	BSBC-06	25	350
Pg 29	18,0 - 25,0	8,0	37,0	40,0	40,0	39,3	44,5	BSBC-07	20	160
Pg 36	22,0 - 32,0	9,0	47,0	50,0	50,0	47,2	55,5	BSBC-08	15	90
Pg 42	30,0 - 38,0	12,0	54,0	58,0	58,0	47,7	64,0	BSBC-09	12	72
Pg 48	34,0 - 44,0	14,0	59,3	64,0	64,0	52,0	70,0	BSBC-10	12	72
Glands With Long Thread										
Pg 7	3,0 - 6,5	10,0	12,5	14,0	14,0	21,8	15,5	BSBE-01	50	2.000
Pg 9	4,0 - 8,0	10,0	15,2	17,0	17,0	22,6	18,9	BSBE-02	50	1.500
Pg 11	5,0 - 10,0	10,0	18,6	20,0	20,0	25,3	22,0	BSBE-03	50	1.000
Pg 13,5	6,0 - 12,0	10,0	20,4	22,0	22,0	24,1	24,5	BSBE-04	50	800
Pg 16	10,0 - 14,0	10,0	22,5	24,0	24,0	27,5	26,8	BSBE-05	25	600
Pg 21	13,0 - 18,0	12,0	28,3	30,0	30,0	31,2	33,0	BSBE-06	25	350
Pg 29	18,0 - 25,0	12,0	37,0	40,0	40,0	39,3	44,5	BSBE-07	20	160
Pg 36	22,0 - 32,0	14,0	47,0	50,0	50,0	47,2	55,5	BSBE-08	15	90
Pg 42	30,0 - 38,0	16,0	54,0	58,0	58,0	47,7	64,0	BSBE-09	12	72
Pg 48	34,0 - 44,0	18,0	59,3	64,0	64,0	52,0	70,0	BSBE-10	12	72



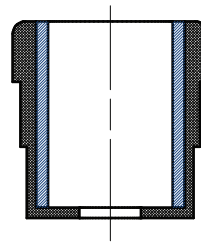
Technical Details		
Material	Body	Brass, Nickel plated
	Cap	Brass, Nickel plated
	Seal	Chloroprene
	O-ring	NBR
Flammability		V2 (According to UL 94)
Protection Class		IP 68 - 5 Bar
Operating Temperature	Permanent	-20 °C up to +100 °C
	Intermittent	-40 °C up to +300 °C (Silicone seal)

Benefits	
	Suitable for highest demands of todays technology
	Easy to assemble
	Easy handling
	Water tight
	Strain relief

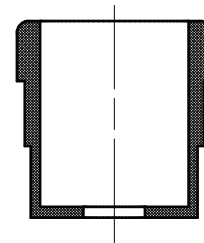
Accessories	
	Lock nuts

Approvals	
	VDE, UL, UR, CSA, see page 82

Remarks	
	Double Seal Cable Glands are constructed with double seal, providing a wide clamping range. For high temperature resistant (max 300°C). DS gland can be produced with special silicone sealing.



Double Seal



Single Seal

Technical Information								Packing Information		
Thread Type	Clamping Range Ø min-max mm		TL mm	TD mm	SW mm	Max. H mm	D mm	Codes	Inner Pack	Box/Min.OQ
	Double Seal	Single Seal								
Metric Thread (Attachment thread : EN 60423)										
M12X1,5	-	4,0 - 6,0	6,0	12	14	16	15,5	BDSM-05	50	2000
M16X1,5	4,0 - 6,0	6,5 - 9,0	5,1	16	18	18	19,8	BDSM-01	50	1500
M20X1,5	4,5 - 7,0	7,0 - 12,0	6,0	20	22	20	25,0	BDSM-02	50	1000
M25X1,5	10,0 - 13,0	14,0 - 17,5	7,0	25	28	22	31,0	BDSM-03	25	600
M32X1,5	14,5 - 18,0	19,0 - 23,5	8,0	32	35	26	38,8	BDSM-04	25	350
M40X1,5	16,5 - 23,5	19,5 - 27,0	8,0	40	43	46	47,0	BDSM-05	20	160
Pg Thread (Attachment thread : DIN 40430)										
Pg7	-	4,0 - 7,0	6,0	12,50	14	17,7	16,0	BDSP-01	50	1.500
Pg9	4,0 - 6,0	6,0 - 10,0	7,5	15,20	18	19,5	20,0	BDSP-02	50	1.500
Pg11	5,0 - 7,0	7,0 - 12,0	6,0	18,60	22	20,5	25,0	BDSP-03	50	1.000
Pg13,5	8,0 - 10,0	10,0 - 15,0	6,0	20,40	24	21,0	27,0	BDSP-04	50	800
Pg16	8,0 - 10,0	10,0 - 15,0	6,0	22,50	24	21,5	27,0	BDSP-05	25	600
Pg21	10,0 - 13,0	13,0 - 20,0	7,6	28,30	32	25,0	36,1	BDSP-06	25	350
Pg29	19,0 - 21,0	21,0 - 28,0	8,0	37,00	40	25,5	45,1	BDSP-07	20	160
Pg36	26,0 - 30,0	30,0 - 35,0	8,0	47,00	50	27,5	56,9	BDSP-08	15	90
Pg42	35,0 - 39,0	39,0 - 44,0	10,0	54,00	58	32,0	64,0	BDSP-09	12	72
Pg48	37,0 - 40,0	40,0 - 48,0	11,0	59,30	64	34,0	72,0	BDSP-10	12	72