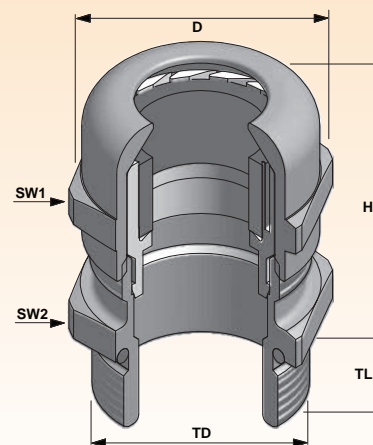


METRIC & PG CABLE GLANDS

BMSC-BSSC

STAINLESS STEEL SERIES

Technical Details		
Material		
Body	Alt.1 : 1,4305 (AISI 303) Alt.2 : 1,4404 (AISI 316L)	
Cap	Alt.1 : 1,4305 (AISI 303) Alt.2 : 1,4404 (AISI 316L)	
Seal	Chloroprene	
O-ring	NBR	
Clamp.Insert	Polyamide 6	
Flammability	V2 (According to UL 94)	
Protection Class	IP 68 - 5 Bar	
Operating Temperature		
Permanent	-20 °C up to +100 °C	
Intermittent	-40 °C up to +300 °C	
Benefits		
	Suitable for highest demands of todays technology	
	Easy to assemble	
	Easy handling	
	Water tight	
	Strain relief	
Accessories		
	Lock nuts	
	Reducing seals	
	Flat cable seals	
	Multihole seals	
Approvals		
	VDE, UL, UR, CSA, see page 82	
Remarks		
	Main usage of these glands is in tunnel lighting and chemical industry where high mechanical and chemical resistance is required. Cap and Body can be produced from AISI 303 (1,4305) or AISI 316L (1,4404) grade stainless steel.	



Thread Type	Clamping Range Ø min-max mm	Technical Information						Codes	Packing Information	
		TL mm	TD mm	SW1 mm	SW2 mm	Max. H mm	D mm		Inner Pack	Box/Min.OQ
Metric Thread (Attachment thread : EN 60423)										
M12X1,5	3,0 - 6,5	6,0	12,0	14,0	14,0	21,5	15,5	BMSC-05	50	2.000
M16X1,5	4,0 - 8,0	7,0	16,0	17,0	19,0	23,0	18,9	BMSC-01	50	1.500
M20X1,5	6,0 - 12,0	8,0	20,0	22,0	22,0	24,3	24,5	BMSC-02	50	800
M25X1,5	10,0 - 14,0	8,0	25,0	24,0	27,0	27,6	26,8	BMSC-03	25	500
M32X1,5	13,0 - 18,0	9,0	32,0	30,0	36,0	31,2	33,0	BMSC-04	25	350
M40X1,5	18,0 - 25,0	9,0	40,0	41,0	46,0	38,5	45,5	BMSC-05	20	160
M50X1,5	22,0 - 32,0	9,0	50,0	50,0	55,0	47,3	55,5	BMSC-06	15	90
M63X1,5	34,0 - 44,0	14,0	63,0	65,0	70,0	50,3	71,0	BMSC-07	12	72
Pg Thread (Attachment thread : DIN 40430)										
Pg7	3,0 - 6,5	6,0	12,5	14,0	14,0	21,8	15,5	BSSC-01	50	2.000
Pg9	4,0 - 8,0	6,0	15,2	17,0	17,0	22,6	18,9	BSSC-02	50	1.500
Pg11	5,0 - 10,0	6,0	18,6	22,0	22,0	25,3	24,0	BSSC-03	50	1.000
Pg13,5	6,0 - 12,0	6,5	20,4	22,0	22,0	24,1	24,5	BSSC-04	50	800
Pg16	10,0 - 14,0	6,5	22,5	24,0	24,0	27,5	26,8	BSSC-05	25	600
Pg21	13,0 - 18,0	7,2	28,3	30,0	30,0	31,2	33,0	BSSC-06	25	350
Pg29	18,0 - 25,0	8,0	37,0	41,0	41,0	39,3	45,5	BSSC-07	20	160
Pg36	22,0 - 32,0	9,0	47,0	50,0	50,0	47,2	55,5	BSSC-08	15	90
Pg42	30,0 - 38,0	12,0	54,0	60,0	60,0	47,7	66,5	BSSC-09	12	72
Pg48	34,0 - 44,0	14,0	59,3	65,0	65,0	52,0	71,0	BSSC-10	12	72