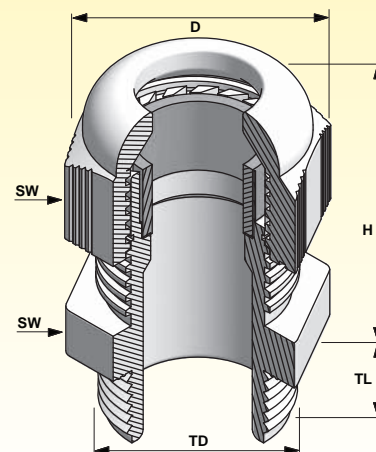


PG THREAD CABLE GLANDS

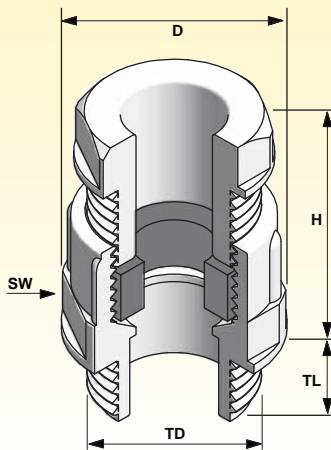
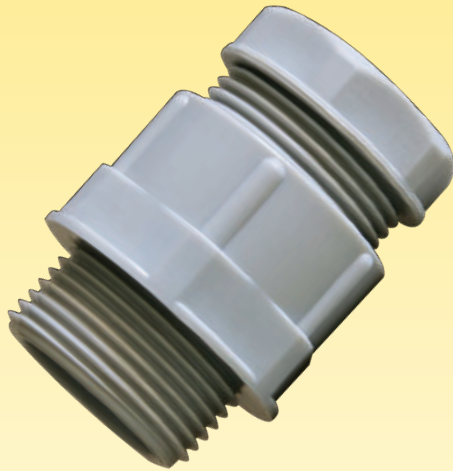
BS & BSR

STANDARD SERIES

| Technical Details | | |
|--------------------------------|--|--|
| Material | | |
| Body | PA 6 (Polyamide 6) | |
| Cap | PA 6 (Polyamide 6) | |
| Seal | CR (Chloroprene Rubber) | |
| Flammability | | |
| Protection Class | V2 (According to UL 94) | |
| Operating Temperature | | |
| Permanent | -20 °C up to +100 °C | |
| Intermittent | -30 °C up to +150 °C | |
| Attachment Thread | | |
| | DIN 40430 | |
| Benefits | | |
| | Easy to assemble | |
| | Easy handling | |
| Accessories | | |
| | Lock nuts | |
| | Protection tabs | |
| | Dust plugs | |
| | Reducing seals | |
| | Flat cable seals | |
| | Multihole seals | |
| Approvals | | |
| | VDE, UL, UR, CSA, see page 82 | |
| UV Test Report Ref. & Standard | | |
| | RES 107572 & UL514B § 8.26.7 | |
| Remarks | | |
| | Other colours on request (Red-White-Blue) | |
| | Different sealing types available | |
| | Large accessory range | |
| | Manufactured according to the requirements of EN 50262 | |



| Thread Type | Clamping Range Ø min-max mm | Technical Information | | | | | Codes | | | Packing Information | |
|-------------------------------------|--------------------------------|-----------------------|-------|-------|-----------|------|----------|----------|----------|---------------------|-------------|
| | | TL mm | TD mm | SW mm | Max. H mm | D mm | Ral 7001 | Ral 7035 | Ral 9005 | Inner Pack | Box/Min.OQ. |
| Pg 7 | 3,0 - 6,5 | 8 | 12,50 | 15 | 22 | 17,1 | BS-01 | BS-11 | BS-21 | 100 | 6.000 |
| Pg 9 | 4,0 - 8,0 | 8 | 15,20 | 19 | 25 | 21,6 | BS-02 | BS-12 | BS-22 | 50 | 3.000 |
| Pg 11 | 5,0 - 10,0 | 8 | 18,60 | 22 | 28 | 25,0 | BS-03 | BS-13 | BS-23 | 50 | 2.400 |
| Pg 13,5 | 6,0 - 12,0 | 9 | 20,40 | 24 | 29 | 27,8 | BS-04 | BS-14 | BS-24 | 50 | 1.800 |
| Pg 16 | 10,0 - 14,0 | 10 | 22,50 | 27 | 31 | 30,8 | BS-05 | BS-15 | BS-25 | 50 | 1.600 |
| Pg 21 | 13,0 - 18,0 | 11 | 28,30 | 33 | 35 | 37,8 | BS-06 | BS-16 | BS-26 | 25 | 750 |
| Pg 29 | 18,0 - 25,0 | 11 | 37,00 | 42 | 40 | 48,0 | BS-07 | BS-17 | BS-27 | 20 | 600 |
| Pg 36 | 22,0 - 32,0 | 13 | 47,00 | 53 | 49 | 60,0 | BS-08 | BS-18 | BS-28 | 10 | 250 |
| Pg 42 | 30,0 - 38,0 | 13 | 54,00 | 60 | 49 | 67,7 | BS-09 | BS-19 | BS-29 | 10 | 200 |
| Pg 48 | 34,0 - 44,0 | 14 | 59,30 | 65 | 49 | 72,2 | BS-10 | BS-20 | BS-30 | 10 | 200 |
| Glands With Reducing Sealing | | | | | | | | | | | |
| Pg 7 | 2,0 - 5,0 | 8 | 12,50 | 15 | 22 | 17,1 | BSR-01 | BSR-11 | BSR-21 | 100 | 6.000 |
| Pg 9 | 2,0 - 6,0 | 8 | 15,20 | 19 | 25 | 21,6 | BSR-02 | BSR-12 | BSR-22 | 50 | 3.000 |
| Pg 11 | 3,0 - 7,0 | 8 | 18,60 | 22 | 28 | 25,0 | BSR-03 | BSR-13 | BSR-23 | 50 | 2.400 |
| Pg 13,5 | 5,0 - 9,0 | 9 | 20,40 | 24 | 29 | 27,8 | BSR-04 | BSR-14 | BSR-24 | 50 | 1.800 |
| Pg 16 | 7,0 - 12,0 | 10 | 22,50 | 27 | 31 | 30,8 | BSR-05 | BSR-15 | BSR-25 | 50 | 1.600 |
| Pg 21 | 9,0 - 16,0 | 11 | 28,30 | 33 | 35 | 37,8 | BSR-06 | BSR-16 | BSR-26 | 25 | 750 |
| Pg 29 | 12,0 - 20,0 | 11 | 37,00 | 42 | 40 | 48,0 | BSR-07 | BSR-17 | BSR-27 | 20 | 600 |
| Pg 36 | 20,0 - 26,0 | 13 | 47,00 | 53 | 49 | 60,0 | BSR-08 | BSR-18 | BSR-28 | 10 | 250 |
| Pg 42 | 25,0 - 31,0 | 13 | 54,00 | 60 | 49 | 67,7 | BSR-09 | BSR-19 | BSR-29 | 10 | 200 |
| Pg 48 | 29,0 - 35,0 | 14 | 59,30 | 65 | 49 | 72,2 | BSR-10 | BSR-20 | BSR-30 | 10 | 200 |







| Technical Details | | |
|-----------------------|-------------------------|--------------------|
| Material | Body | PA 6 (Polyamide 6) |
| | Cap | PA 6 (Polyamide 6) |
| | Seal | TPE |
| | Pres. Washer | PP |
| Flammability | V2 (According to UL 94) | |
| Protection Class | IP 54 | |
| Operating Temperature | -20 °C up to +80 °C | |
| Attachment Thread | DIN 40430 | |

| Benefits | |
|----------|---|
| | Consisting of a hardened plastic casing Pressure screw |

| Accessories | |
|-------------|-----------|
| | Lock nuts |

| Approvals | |
|-----------|-------------------------------|
| | VDE, UL, UR, CSA, see page 82 |

| Thread Type |  Clamping Range Ø min-max mm | Technical Information | | | | | Codes | Packing Information | |
|-------------|---|-----------------------|-------|--|-----------|------|----------|---|---|
| | | TL mm | TD mm |  SW mm | Max. H mm | D mm | Ral 7035 |  Inner Pack |  Box/Min.OQ |
| Pg 7 | 3,0 - 6,0 | 8 | 12,50 | 15 | 22 | 14,0 | BD-11 | 100 | 6.000 |
| Pg 9 | 4,5 - 7,0 | 8 | 15,20 | 19 | 23 | 17,0 | BD-12 | 100 | 5.000 |
| Pg 11 | 6,0 - 9,0 | 8 | 18,60 | 22 | 25 | 21,2 | BD-13 | 100 | 3.000 |
| Pg 13,5 | 9,0 - 12,0 | 9 | 20,40 | 24 | 26 | 22,8 | BD-14 | 100 | 2.000 |
| Pg 16 | 11,0 - 14,0 | 10 | 22,50 | 27 | 28 | 25,2 | BD-15 | 100 | 1.600 |
| Pg 21 | 14,0 - 18,0 | 11 | 28,30 | 33 | 32 | 31,8 | BD-16 | 50 | 1.000 |
| Pg 29 | 18,0 - 25,0 | 11 | 37,00 | 42 | 36 | 43,0 | BD-17 | 25 | 500 |
| Pg 36 | 25,0 - 32,0 | 13 | 47,00 | 53 | 47 | 53,1 | BD-18 | 10 | 250 |