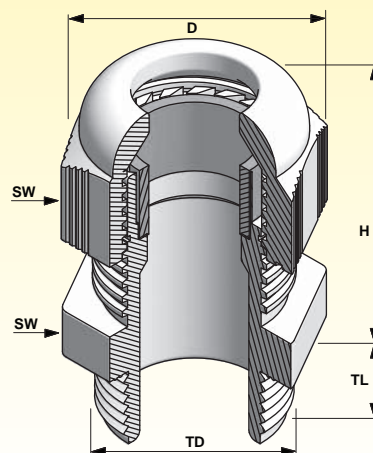


# G(R) THREAD CABLE GLANDS

# BPF-BPFR

STANDARD SERIES

Technical Details		
<b>Material</b>		
Body	PA 6 (Polyamide 6)	
Cap	PA 6 (Polyamide 6)	
Seal	CR (Chloroprene Rubber)	
<b>Flammability</b>		
Protection Class	V2 (According to UL 94)	
<b>Operating Temperature</b>		
Permanent	-20 °C up to +100 °C	
Intermittent	-30 °C up to +150 °C	
<b>Attachment Thread</b>		
	DIN ISO 228	
Benefits		
	Easy to assemble	
	Easy handling	
Accessories		
	Lock nuts	
	Protection tabs	
	Dust plugs	
	Reducing seals	
	Flat cable seals	
	Multihole seals	
Approvals		
	VDE, UL, UR, CSA, see page 82	
UV Test Report Ref. & Standard		
	RES 107572 & UL514B § 8.26.7	
Remarks		
	Other colours on request (Red-White-Blue)	
	Different sealing types available	
	Large accessory range	
	Manufactured according to the requirements of EN 50262	



Thread Type	Clamping Range Ø min-max mm	Technical Information					Codes			Packing Information	
		TL mm	TD mm	SW mm	Max. H mm	D mm	Ral 7001	Ral 7035	Ral 9005	Inner Pack	Box/Min.OQ
G 3/8"	5,0 - 10,0	11	16,66	22	28	25,0	BPF-01	BPF-11	BPF-21	50	2400
G 1/2"	6,0 - 12,0	11	20,95	24	29	27,8	BPF-02	BPF-12	BPF-22	50	1800
G 1/2"	10,0 - 14,0	11	20,95	27	31	30,8	BPF-03	BPF-13	BPF-23	50	1600
G 3/4"	13,0 - 18,0	12	26,44	33	35	37,8	BPF-04	BPF-14	BPF-24	25	750
G 1"	18,0 - 25,0	13	33,25	42	40	48,0	BPF-05	BPF-15	BPF-25	20	600
<b>Glands With Reducing Sealing</b>											
G 3/8"	3,0 - 7,0	11	16,66	22	28	25,0	BPFR-01	BPFR-11	BPFR-21	50	2400
G 1/2"	5,0 - 9,0	11	20,95	24	29	27,8	BPFR-02	BPFR-12	BPFR-22	50	1800
G 1/2"	7,0 - 12,0	11	20,95	27	31	30,8	BPFR-03	BPFR-13	BPFR-23	50	1600
G 3/4"	9,0 - 16,0	12	26,44	33	35	37,8	BPFR-04	BPFR-14	BPFR-24	25	750
G 1"	12,0 - 20,0	13	33,25	42	40	48,0	BPFR-05	BPFR-15	BPFR-25	20	600