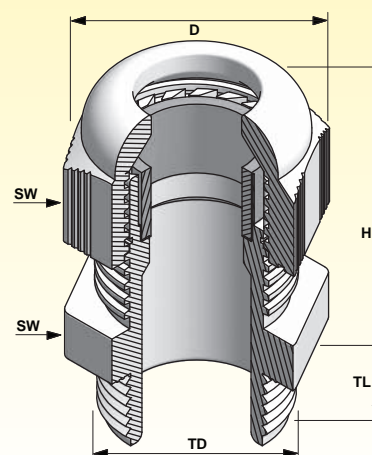


METRIC THREAD CABLE GLANDS

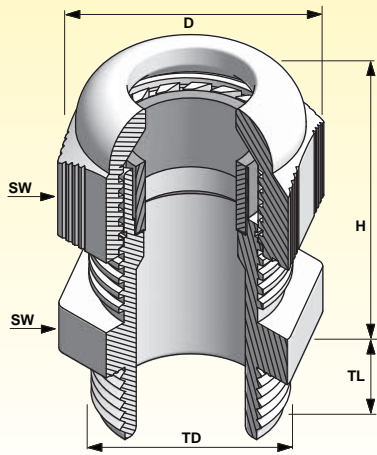
BM & BI

STANDARD SERIES

Technical Details		
Material		
Body	PA 6 (Polyamide 6)	
Cap	PA 6 (Polyamide 6)	
Seal	CR (Chloroprene Rubber)	
Flammability		
Protection Class	V2 (According to UL 94)	
Operating Temperature		
Permanent	-20 °C up to +100 °C	
Intermittent	-30 °C up to +150 °C	
Attachment Thread		
	EN 60423	
Benefits		
	Easy to assemble	
	Easy handling	
Accessories		
	Lock nuts	
	Protection tabs	
	Dust plugs	
	Reducing seals	
	Flat cable seals	
	Multihole seals	
Approvals		
	VDE, UL, UR, CSA, see page 82	
UV Test Report Ref. & Standard		
	RES 107572 & UL514B § 8.26.7	
Remarks		
	Other colours on request (Red-White-Blue)	
	Different sealing types available	
	Large accessory range	
	Manufactured according to the requirements of EN 50262	



Thread Type	Clamping Range Ø min-max mm	Technical Information					Codes			Packing Information	
		TL mm	TD mm	SW mm	Max. H mm	D mm	Ral 7001	Ral 7035	Ral 9005	Inner Pack	Box/Min.OQ.
M12x1,5	3,0 - 6,5	8	12	15	22	17,1	BM-05	BM-15	BM-25	100	6.000
M16x1,5	5,0 - 10,0	10	16	22	28	25,0	BM-01	BM-11	BM-21	50	2.400
		15					BM-01L	BM-11L	BM-21L		
		10					BM-02	BM-12	BM-22		
M20x1,5	6,0 - 12,0	15	20	24	29	27,8	BM-02L	BM-12L	BM-22L	50	1.800
		10					BM-03	BM-13	BM-23		
		15					BM-04	BM-14	BM-24		
M25x1,5	13,0 - 18,0	10	25	33	35	37,8	BM-05	BM-15	BM-25	25	750
		15					BM-06	BM-16	BM-26		
M32x1,5	18,0 - 25,0	18	32	42	40	48,0	BM-07	BM-17	BM-27	20	600
M40x1,5	22,0 - 32,0	18	40	53	49	60,0	BM-08	BM-18	BM-28	10	200
M50x1,5	30,0 - 38,0	18	50	60	49	67,7	BM-09	BM-19	BM-29	10	200
M63x1,5	34,0 - 44,0	18	63	65	49	72,2	BM-10	BM-20	BM-30	10	200
Glands With Reducing Sealing											
M12x1,5	2,0 - 5,0	8	12	15	22	17,1	BI-05	BI-15	BI-25	100	6.000
M16x1,5	3,0 - 7,0	10	16	22	28	25,0	BI-01	BI-11	BI-21	50	2.400
		15					BI-01L	BI-11L	BI-21L		
		10					BI-02	BI-12	BI-22		
M20x1,5	5,0 - 9,0	15	20	24	29	27,8	BI-02L	BI-12L	BI-22L	50	1.800
		10					BI-03	BI-13	BI-23		
		15					BI-04	BI-14	BI-24		
M25x1,5	9,0 - 16,0	10	25	33	35	37,8	BI-05	BI-15	BI-25	25	750
		15					BI-06	BI-16	BI-26		
M32x1,5	12,0 - 20,0	18	32	42	40	48,0	BI-07	BI-17	BI-27	20	600
M40x1,5	20,0 - 26,0	18	40	53	49	60,0	BI-08	BI-18	BI-28	10	200
M50x1,5	25,0 - 31,0	18	50	60	49	67,7	BI-09	BI-19	BI-29	10	200
M63x1,5	29,0 - 35,0	18	63	65	49	72,2	BI-10	BI-20	BI-30	10	200



Technical Details		
Material	Body	PA 6 (Polyamide 6)
	Cap	PA 6 (Polyamide 6)
	Seal	CR (Chloroprene Rubber)
Flammability		V2 (According to UL 94)
Protection Class		IP 68 - 5 Bar
Operating Temperature	Permanent	-20 °C up to +100 °C
	Intermittent	-30 °C up to +150°C
	Attachment Thread	EN 60423

Benefits	
	Easy to assemble
	Easy handling

Accessories	
	Lock nuts
	Protection tabs
	Dust plugs
	Reducing seals
	Flat cable seals
	Multihole seals

Approvals	
	VDE, UL, UR, CSA, see page 82
UV Test Report Ref. & Standard	RES 107572 & UL514B § 8.26.7

Remarks	
	Other colours on request (Red-White-Blue)
	Different sealing types available
	Large accessory range
	Manufactured according to the requirements of EN 50262

Thread Type	Clamping Range Ø min-max mm	Technical Information				Codes			Packing Information		
		TL mm	TD mm	SW mm	Max. H mm	D mm	Ral 7001	Ral 7035	Ral 9005	Inner Pack	Box/Min.OQ.
M12x1,5	2,0 - 5,0	8	12	15	22	17,1	BM-EN-0SR	BM-EN-1SR	BM-EN-2SR	100	6.000
	3,0 - 6,5	8					BM-EN-0S	BM-EN-1S	BM-EN-2S		
	3,0 - 7,0	10					BM-EN-01R	BM-EN-11R	BM-EN-21R		
M16x1,5	3,0 - 7,0	15	16	22	28	25,0	BM-EN-01RL	BM-EN-11RL	BM-EN-21RL	50	3.000
	4,0 - 8,0	8					BM-EN-01	BM-EN-11	BM-EN-21		
	5,0 - 9,0	10					BM-EN-02R	BM-EN-12R	BM-EN-22R		
M20x1,5	6,0 - 12,0	10	20	24	29	27,8	BM-EN-02	BM-EN-12	BM-EN-22	50	1.800
	7,0 - 12,0	15					BM-EN-02L	BM-EN-12L	BM-EN-22L		
	11,0 - 17,0	8					BM-EN-03	BM-EN-13	BM-EN-23		
M25x1,5	9,0 - 16,0	10	25	33	35	37,8	BM-EN-03R	BM-EN-13R	BM-EN-23R	50	1.000
		15					BM-EN-03RL	BM-EN-13RL	BM-EN-23RL		
	15,0 - 21,0	10					BM-EN-04	BM-EN-14	BM-EN-24		
M32x1,5	12,0 - 20,0	18	32	42	40	48,0	BM-EN-04RL	BM-EN-14RL	BM-EN-24RL	25	750
	19,0 - 28,0	10					BM-EN-05	BM-EN-15	BM-EN-25		
M40x1,5	20,0 - 26,0	18	40	53	49	60,0	BM-EN-05RL	BM-EN-15RL	BM-EN-25RL	20	440
	30,0 - 38,0	18					BM-EN-06	BM-EN-16	BM-EN-26		
M50x1,5	25,0 - 31,0		50	60	49	67,7	BM-EN-06R	BM-EN-16R	BM-EN-26R	10	200
	34,0 - 44,0						BM-EN-07	BM-EN-17	BM-EN-27		
M63x1,5	29,0 - 35,0	18	63	65	49	72,2	BM-EN-07R	BM-EN-17R	BM-EN-27R	10	200