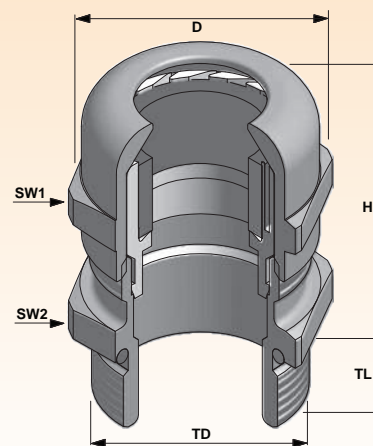


# METRIC THREAD CABLE GLANDS

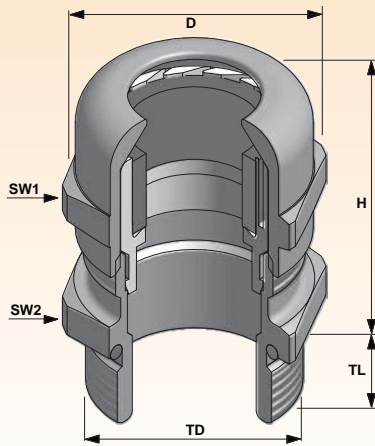
# BMBC-BMBE

STANDARD SERIES

Technical Details		
<b>Material</b>		
<b>Body</b>	Brass, Nickel plated	
<b>Cap</b>	Brass, Nickel plated	
<b>Seal</b>	CR (Chloroprene Rubber)	
<b>Clamp.Insert</b>	Polyamide 6	
<b>O-ring</b>	NBR	
<b>Flammability</b>	V2 (According to UL 94)	
<b>Protection Class</b>	IP 68 - 5 Bar	
<b>Operating Temperature</b>		
<b>Permanent</b>	-20 °C up to +100 °C	
<b>Intermittent</b>	-40 °C up to +150 °C	
<b>Attachment Thread</b>		
EN 60423		
<b>Benefits</b>		
Suitable for highest demands of todays technology		
Easy to assemble		
Easy handling		
Water tight		
Strain relief		
<b>Accessories</b>		
Lock nuts		
Reducing seals		
Flat cable seals		
Multihole seals		
<b>Approvals</b>		
VDE, UL, UR, CSA, see page 82		
<b>Remarks</b>		
Different sealing types available		
Large accessory range		
Manufactured according to the requirements of EN 50262		



Thread Type	Clamping Range Ø min-max mm	Technical Information						Codes	Packing Information	
		TL mm	TD mm	SW1 mm	SW2 mm	Max. H mm	D mm		Inner Pack	Box/Min.OQ
M12x1,5	3,0 - 6,5	6,0	12,0	14,0	14,0	21,5	15,5	BMBC-05	50	2.000
M16x1,5	4,0 - 8,0	7,0	16,0	17,0	18,0	23,0	18,9	BMBC-01	50	1.500
	5,0 - 10,0	6,5		20,0	20,0	24,0	22,0	BMBC-01S		
M20x1,5	5,0 - 9,0	8,0	20,0	22,0	22,0	24,3	24,5	BMBC-02S	50	800
	6,0 - 12,0							BMBC-02		
M25x1,5	10,0 - 14,0	8,0	25,0	24,0	27,0	27,6	26,8	BMBC-03	25	500
	12,0 - 18,0			30,0	30,0	29,5	33,0	BMBC-03S		
M32x1,5	13,0 - 18,0	9,0	32,0	30,0	34,0	31,2	33,0	BMBC-04	25	350
	17,0 - 24,0			40,0	40,0	35,0	44,5	BMBC-04S		
M40x1,5	18,0 - 25,0	9,0	40,0	40,0	43,0	38,5	44,5	BMBC-05	20	160
	22,0 - 32,0			50,0	50,0	42,0	55,5	BMBC-05S		
M50x1,5	22,0 - 32,0	9,0	50,0	50,0	55,0	47,3	55,5	BMBC-06	15	90
	29,0 - 40,0			64,0	68,0	49,0	70,0	BMBC-06S		
M63x1,5	34,0 - 44,0	14,0	63,0	64,0	68,0	50,3	70,0	BMBC-07	12	72
	37,0 - 53,0			75,0	75,0	54,0	83,0	BMBC-07S		
<b>Glands With Long Thread</b>										
M12x1,5	3,0 - 6,5	12,0	12,0	14,0	14,0	21,5	15,5	BMBE-05	50	2.000
M16x1,5	4,0 - 8,0	12,0	16,0	17,0	18,0	23,0	18,9	BMBE-01	50	1.500
	5,0 - 10,0			20,0	20,0	24,0	22,0	BMBE-01S		
M20x1,5	5,0 - 9,0	12,0	20,0	22,0	22,0	24,3	24,5	BMBE-02S	50	800
	6,0 - 12,0							BMBE-02		
M25x1,5	10,0 - 14,0	12,0	25,0	24,0	27,0	27,6	26,8	BMBE-03	25	400
	12,0 - 18,0			30,0	30,0	29,5	33,0	BMBE-03S		
M32x1,5	13,0 - 18,0	15,0	32,0	30,0	34,0	31,2	33,0	BMBE-04	25	300
	17,0 - 24,0			40,0	40,0	35,0	44,5	BMBE-04S		
M40x1,5	18,0 - 25,0	15,0	40,0	40,0	43,0	38,5	44,5	BMBE-05	20	160
	22,0 - 32,0			50,0	50,0	42,0	55,5	BMBE-05S		
M50x1,5	22,0 - 32,0	15,0	50,0	50,0	55,0	47,3	55,5	BMBE-06	15	90
	29,0 - 40,0			64,0	68,0	49,0	70,0	BMBE-06S		
M63x1,5	34,0 - 44,0	18,0	63,0	64,0	68,0	50,3	70,0	BMBE-07	12	72
	37,0 - 53,0			75,0	75,0	54,0	83,0	BMBE-07S		



Technical Details		
<b>Material</b>	<b>Body</b>	Brass, Nickel plated
	<b>Cap</b>	Brass, Nickel plated
	<b>Seal</b>	CR (Chloroprene Rubber)
	<b>Clamp.Insert</b>	Polyamide 6
	<b>O-ring</b>	NBR
<b>Flammability</b>	V2 (According to UL 94)	
<b>Protection Class</b>	IP 68 - 5 Bar	
<b>Operating Temperature</b>	<b>Permanent</b>	-20 °C up to +100 °C
	<b>Intermittent</b>	-40 °C up to +150 °C
<b>Attachment Thread</b>	EN 60423	

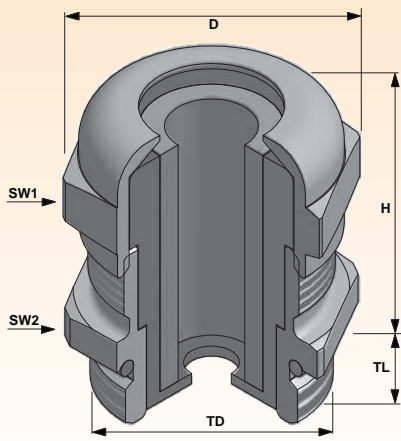
Benefits	
	Suitable for highest demands of todays technology
	Easy to assemble
	Easy handling
	Water tight
	Strain relief

Accessories	
	Lock nuts
	Reducing seals
	Flat cable seals
	Multihole seals

Approvals	
	VDE, UL, UR, CSA, see page 82

Remarks	
	Different sealing types available
	Large accessory range
	Manufactured according to the requirements of EN 50262

Technical Information								Codes	Packing Information	
Thread Type	Clamping Range Ø min-max mm	TL mm	TD mm	SW1 mm	SW2 mm	Max. H mm	D mm		Inner Pack	Box/Min.OQ
M12x1,5	3,0 - 6,5	6,0	12,0	14,0	14,0	21,5	15,5	BMBC-E5	50	2.000
M16x1,5	5,0 - 10,0	7,0	16,0	20,0	20,0	25,3	22,0	BMBC-E1	50	1.000
M20x1,5	6,0 - 12,0	8,0	20,0	22,0	22,0	25,4	24,5	BMBC-E2	50	800
M25x1,5	11,0 - 17,0	8,0	25,0	27,0	27,0	31,0	30,0	BMBC-E3	25	400
M32x1,5	15,0 - 21,0	8,0	32,0	34,0	34,0	33,5	37,0	BMBC-E4	25	250
M40x1,5	19,0 - 28,0	9,0	40,0	43,0	43,0	42,0	48,4	BMBC-E5	20	140
M50x1,5	27,0 - 38,0	9,0	50,0	58,0	58,0	50,0	64,0	BMBC-E6	12	72
M63x1,5	34,0 - 44,0	14,0	63,0	64,0	68,0	52,3	70,0	BMBC-E7	12	72
<b>Glands With Long Thread</b>										
M12x1,5	3,0 - 6,5	12,0	12,0	14,0	14,0	21,2	15,5	BMBE-E5	50	2.000
M16x1,5	5,0 - 10,0	12,0	16,0	20,0	20,0	25,3	22,0	BMBE-E1	50	1.000
M20x1,5	6,0 - 12,0	12,0	20,0	22,0	22,0	25,4	24,5	BMBE-E2	50	800
M25x1,5	11,0 - 17,0	12,0	25,0	27,0	27,0	31,0	30,0	BMBE-E3	25	400
M32x1,5	15,0 - 21,0	15,0	32,0	34,0	34,0	33,5	37,0	BMBE-E4	25	250
M40x1,5	19,0 - 28,0	15,0	40,0	43,0	43,0	42,0	48,4	BMBE-E5	20	120
M50x1,5	27,0 - 38,0	15,0	50,0	58,0	58,0	50,0	64,0	BMBE-E6	10	70
M63x1,5	34,0 - 44,0	15,0	63,0	64,0	68,0	52,3	70,0	BMBE-E7	10	70



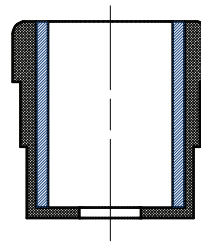
Technical Details		
Material	Body	Brass, Nickel plated
	Cap	Brass, Nickel plated
	Seal	Chloroprene
	O-ring	NBR
Flammability		V2 (According to UL 94)
Protection Class		IP 68 - 5 Bar
Operating Temperature	Permanent	-20 °C up to +100 °C
	Intermittent	-40 °C up to +300 °C (Silicone seal)

Benefits	
	Suitable for highest demands of todays technology
	Easy to assemble
	Easy handling
	Water tight
	Strain relief

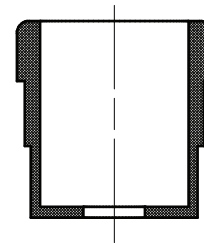
Accessories	
	Lock nuts

Approvals	
	VDE, UL, UR, CSA, see page 82

Remarks	
	Double Seal Cable Glands are constructed with double seal, providing a wide clamping range. For high temperature resistant (max 300°C). DS gland can be produced with special silicone sealing.



Double Seal



Single Seal

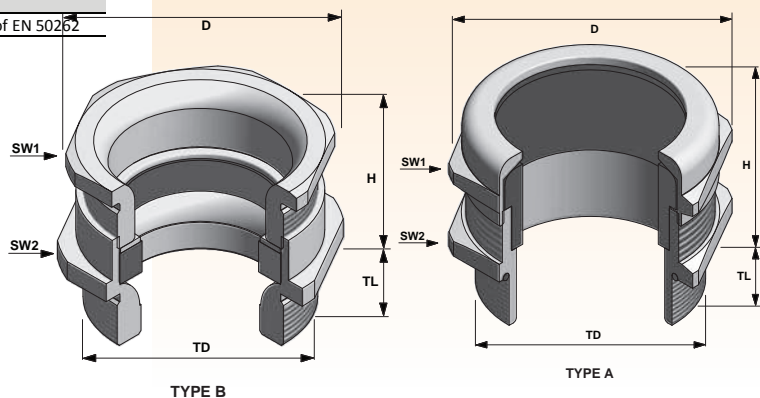
Technical Information								Packing Information		
Thread Type	Clamping Range Ø min-max mm		TL mm	TD mm	SW mm	Max. H mm	D mm	Codes	Inner Pack	Box/Min.OQ
	Double Seal	Single Seal								
<b>Metric Thread (Attachment thread : EN 60423)</b>										
M12X1,5	-	4,0 - 6,0	6,0	12	14	16	15,5	BDSM-05	50	2000
M16X1,5	4,0 - 6,0	6,5 - 9,0	5,1	16	18	18	19,8	BDSM-01	50	1500
M20X1,5	4,5 - 7,0	7,0 - 12,0	6,0	20	22	20	25,0	BDSM-02	50	1000
M25X1,5	10,0 - 13,0	14,0 - 17,5	7,0	25	28	22	31,0	BDSM-03	25	600
M32X1,5	14,5 - 18,0	19,0 - 23,5	8,0	32	35	26	38,8	BDSM-04	25	350
M40X1,5	16,5 - 23,5	19,5 - 27,0	8,0	40	43	46	47,0	BDSM-05	20	160
<b>Pg Thread (Attachment thread : DIN 40430)</b>										
Pg7	-	4,0 - 7,0	6,0	12,50	14	17,7	16,0	BDSP-01	50	1.500
Pg9	4,0 - 6,0	6,0 - 10,0	7,5	15,20	18	19,5	20,0	BDSP-02	50	1.500
Pg11	5,0 - 7,0	7,0 - 12,0	6,0	18,60	22	20,5	25,0	BDSP-03	50	1.000
Pg13,5	8,0 - 10,0	10,0 - 15,0	6,0	20,40	24	21,0	27,0	BDSP-04	50	800
Pg16	8,0 - 10,0	10,0 - 15,0	6,0	22,50	24	21,5	27,0	BDSP-05	25	600
Pg21	10,0 - 13,0	13,0 - 20,0	7,6	28,30	32	25,0	36,1	BDSP-06	25	350
Pg29	19,0 - 21,0	21,0 - 28,0	8,0	37,00	40	25,5	45,1	BDSP-07	20	160
Pg36	26,0 - 30,0	30,0 - 35,0	8,0	47,00	50	27,5	56,9	BDSP-08	15	90
Pg42	35,0 - 39,0	39,0 - 44,0	10,0	54,00	58	32,0	64,0	BDSP-09	12	72
Pg48	37,0 - 40,0	40,0 - 48,0	11,0	59,30	64	34,0	72,0	BDSP-10	12	72






# METRIC & PG CABLE GLANDS

# BMSC-BSSC

BIG SIZE (M72 up to M120) SERIES

Technical Details		
<b>Material</b>		
<b>Body</b>	Brass, Nickel plated	
<b>Cap</b>	Brass, Nickel plated	
<b>Seal</b>	Chloroprene	
<b>O-ring</b>	NBR	
<b>Flammability</b>	V2 (According to UL 94)	
<b>Protection Class</b>	IP 68 - 5 Bar	
<b>Operating Temperature</b>		
<b>Permanent</b>	-20 °C up to +100 °C	
<b>Intermittent</b>	-40 °C up to +150 °C	
<b>Attachment Thread</b>	EN 60423	
Benefits		
	Suitable for highest demands of todays technology Easy to assemble Easy handling Water tight Strain relief	
Accessories		
	Lock nuts	
Approvals		
	VDE, UL, UR, CSA, see page 82	
Remarks		
	Manufactured according to the requirements of EN 50262	



Thread Type	 Clamping Range Ø min-max mm	Technical Information							Codes	Packing Information	
		TL mm	TD mm	 SW1 mm	 SW2 mm	Max. H mm	D mm	Type		 Inner Pack	 Box/Min.OQ
M72X2	56,0 - 61,0	16	72	77	77	41	86,0	A	BDSM-08	4	28
M75X1,5	56,0 - 61,0	16	75	77	77	41	86,0	A	BDSM-09S	4	16
M75X2	56,0 - 61,0	16	75	77	77	41	86,0	A	BDSM-09	4	16
M80X2	60,0 - 66,0	18	80	90	90	50	100,0	A	BDSM-10	2	10
M80X2	50,0 - 56,0	18	80	90	90	50	100,0	A	BDSM-10R	2	10
M85X2	68,0 - 76,0	22	85	95	95	52	106,2	A	BDSM-11	2	10
M85X2	63,0 - 70,0	22	85	96	95	50	108,0	A	BDSM-11R	2	10
M90X2	68,0 - 76,0	22	90	95	100	52	106,2	A	BDSM-12	2	10
M110X2	75,0 - 82,0	25	110	120	125	72	130,0	B	BDSM-13	2	8
M120X2	88,0 - 95,0	25	120	116	120	65	130,0	A	BDSM-14	2	8