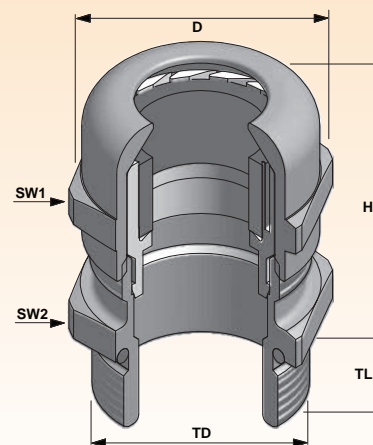


METRIC & PG CABLE GLANDS

BMSC-BSSC

STAINLESS STEEL SERIES

| Technical Details | | |
|------------------------------|--|--|
| Material | | |
| Body | Alt.1 : 1,4305 (AISI 303) Alt.2 : 1,4404 (AISI 316L) | |
| Cap | Alt.1 : 1,4305 (AISI 303) Alt.2 : 1,4404 (AISI 316L) | |
| Seal | Chloroprene | |
| O-ring | NBR | |
| Clamp.Insert | Polyamide 6 | |
| Flammability | V2 (According to UL 94) | |
| Protection Class | IP 68 - 5 Bar | |
| Operating Temperature | | |
| Permanent | -20 °C up to +100 °C | |
| Intermittent | -40 °C up to +300 °C | |
| Benefits | | |
| | Suitable for highest demands of todays technology | |
| | Easy to assemble | |
| | Easy handling | |
| | Water tight | |
| | Strain relief | |
| Accessories | | |
| | Lock nuts | |
| | Reducing seals | |
| | Flat cable seals | |
| | Multihole seals | |
| Approvals | | |
| | VDE, UL, UR, CSA, see page 82 | |
| Remarks | | |
| | Main usage of these glands is in tunnel lighting and chemical industry where high mechanical and chemical resistance is required. Cap and Body can be produced from AISI 303 (1,4305) or AISI 316L (1,4404) grade stainless steel. | |



| Thread Type | Clamping Range Ø min-max mm | Technical Information | | | | | | Codes | Packing Information | |
|---|--------------------------------|-----------------------|-------|--------|--------|-----------|------|---------|---------------------|------------|
| | | TL mm | TD mm | SW1 mm | SW2 mm | Max. H mm | D mm | | Inner Pack | Box/Min.OQ |
| Metric Thread (Attachment thread : EN 60423) | | | | | | | | | | |
| M12X1,5 | 3,0 - 6,5 | 6,0 | 12,0 | 14,0 | 14,0 | 21,5 | 15,5 | BMSC-05 | 50 | 2.000 |
| M16X1,5 | 4,0 - 8,0 | 7,0 | 16,0 | 17,0 | 19,0 | 23,0 | 18,9 | BMSC-01 | 50 | 1.500 |
| M20X1,5 | 6,0 - 12,0 | 8,0 | 20,0 | 22,0 | 22,0 | 24,3 | 24,5 | BMSC-02 | 50 | 800 |
| M25X1,5 | 10,0 - 14,0 | 8,0 | 25,0 | 24,0 | 27,0 | 27,6 | 26,8 | BMSC-03 | 25 | 500 |
| M32X1,5 | 13,0 - 18,0 | 9,0 | 32,0 | 30,0 | 36,0 | 31,2 | 33,0 | BMSC-04 | 25 | 350 |
| M40X1,5 | 18,0 - 25,0 | 9,0 | 40,0 | 41,0 | 46,0 | 38,5 | 45,5 | BMSC-05 | 20 | 160 |
| M50X1,5 | 22,0 - 32,0 | 9,0 | 50,0 | 50,0 | 55,0 | 47,3 | 55,5 | BMSC-06 | 15 | 90 |
| M63X1,5 | 34,0 - 44,0 | 14,0 | 63,0 | 65,0 | 70,0 | 50,3 | 71,0 | BMSC-07 | 12 | 72 |
| Pg Thread (Attachment thread : DIN 40430) | | | | | | | | | | |
| Pg7 | 3,0 - 6,5 | 6,0 | 12,5 | 14,0 | 14,0 | 21,8 | 15,5 | BSSC-01 | 50 | 2.000 |
| Pg9 | 4,0 - 8,0 | 6,0 | 15,2 | 17,0 | 17,0 | 22,6 | 18,9 | BSSC-02 | 50 | 1.500 |
| Pg11 | 5,0 - 10,0 | 6,0 | 18,6 | 22,0 | 22,0 | 25,3 | 24,0 | BSSC-03 | 50 | 1.000 |
| Pg13,5 | 6,0 - 12,0 | 6,5 | 20,4 | 22,0 | 22,0 | 24,1 | 24,5 | BSSC-04 | 50 | 800 |
| Pg16 | 10,0 - 14,0 | 6,5 | 22,5 | 24,0 | 24,0 | 27,5 | 26,8 | BSSC-05 | 25 | 600 |
| Pg21 | 13,0 - 18,0 | 7,2 | 28,3 | 30,0 | 30,0 | 31,2 | 33,0 | BSSC-06 | 25 | 350 |
| Pg29 | 18,0 - 25,0 | 8,0 | 37,0 | 41,0 | 41,0 | 39,3 | 45,5 | BSSC-07 | 20 | 160 |
| Pg36 | 22,0 - 32,0 | 9,0 | 47,0 | 50,0 | 50,0 | 47,2 | 55,5 | BSSC-08 | 15 | 90 |
| Pg42 | 30,0 - 38,0 | 12,0 | 54,0 | 60,0 | 60,0 | 47,7 | 66,5 | BSSC-09 | 12 | 72 |
| Pg48 | 34,0 - 44,0 | 14,0 | 59,3 | 65,0 | 65,0 | 52,0 | 71,0 | BSSC-10 | 12 | 72 |