

PRESSURE BALANCE ELEMENTS for Industrial Application



Ventilation Plugs

Ventilation Plugs Polyamide

Ventilation plugs

- Balances pressure differences between inner housing and the outside environment.
- Prevents damages according to pressure differences.
- Prevents the formation of water condensation in tightly-sealed standard housings.
- Membrane properties: hydrophobic, oleophobic.

Technical Details

Material	Body	PA 6 (Polyamide 6)	
	Vent Membran	Acrylic co-polymer on nylon-support	
	O-Ring	NBR	
Protection Class	IP 68 / IP 67 (for water intrusion pressure 0.1 bar)		
Flammability	V2 according to UL94		
Operating Temperature	Permanent	-20 °C to +100 °C	Intermittent
			-30 °C to +150 °C
Accessories	<ul style="list-style-type: none"> • Lock nuts • Gaskets 		
Remarks	<ul style="list-style-type: none"> • We recommend the use of lock nuts and gaskets to ensure IP rating for rough surfaces or through holes. 		



Ventilation Plugs Polyamide

Thread Type **METRIC** acc. to EN 60423

Size	Thread Length TL mm	Thread Ø TD mm	Spanner Width SW mm	Outer Ø D mm	max. Height H mm	Average Air Flow for ΔP = 70 mbar l/h	Water Intrusion Pressure bar	Design Type	Part Number			Packing Unit					
									RAL 7035 light grey	RAL 7001 grey	RAL 9005 black						
M12x1,0	6,6	12,0	17	17,0	7,5	16	0,9	A	SBVPA-11	SBVPA-01	SBVPA-21	500					
						25	0,5		MBVPA-11	MBVPA-01	MBVPA-21						
						120	0,2		HBVPA-11	HBVPA-01	HBVPA-21						
						300	0,1		UHBVPA-11	UHBVPA-01	UHBVPA-21						
M12x1,5	6	12,0	17	17,0	7,5	16	0,9	A	SBVPB-11	SBVPB-01	SBVPB-21	500					
						25	0,5		MBVPB-11	MBVPB-01	MBVPB-21						
						120	0,2		HBVPB-11	HBVPB-01	HBVPB-21						
	300		0,1	UHBVPB-11	UHBVPB-01	UHBVPB-21											
	10		24	23,7	11,7	42	0,9	E	SBVPD-11	SBVPD-01	SBVPD-21						
	120					0,5	MBVPD-11		MBVPD-01	MBVPD-21							
	120	0,2				HBVPD-11	HBVPD-01		HBVPD-21								
	6	17	17,0	7,5	7,5	7,5	0,2	A	UHBVPB-11L	UHBVPB-01L	UHBVPB-21L						
	10								24	23,7	11,7	450	0,2	E	HBVPD-11	HBVPD-01	HBVPD-21
	6											750	0,1		UHBVPD-11	UHBVPD-01	UHBVPD-21
	M16x1,5	10	16,0	24	23,7	11,7	42	0,9	E	SBVPP-11	SBVPP-01	SBVPP-21	500				
							120	0,5		MBVPP-11	MBVPP-01	MBVPP-21					
450							0,2	HBVPP-11		HBVPP-01	HBVPP-21						
750							0,1	UHBVPP-11		UHBVPP-01	UHBVPP-21						
M20x1,5	10	20,0	24	23,7	11,7	42	0,9	E	SBVPE-11	SBVPE-01	SBVPE-21	500					
						120	0,5		MBVPE-11	MBVPE-01	MBVPE-21						
						450	0,2		HBVPE-11	HBVPE-01	HBVPE-21						
						750	0,1		UHBVPE-11	UHBVPE-01	UHBVPE-21						
M40x1,5	18	40,0	-	59,5	19,0	120	0,9	F	SBVPX-18S	SBVPX-08S	SBVPX-28S	1					
						375	0,5		MBVPX-18S	MBVPX-08S	MBVPX-28S						
						1350	0,2		HBVPX-18S	HBVPX-08S	HBVPX-28S						
						2200	0,1		UHBVPX-18S	UHBVPX-08S	UHBVPX-28S						

wall thickness (E) : 2,5 mm

Size	Thread Length TL mm	Thread Ø TD mm	Hole Ø HD mm	Outer Ø D mm	max. Height H mm	Average Air Flow for ΔP = 70 mbar l/h	Water Intrusion Pressure bar	Design Type	Part Number			Packing Unit
									RAL 7035 light grey	RAL 7001 grey	RAL 9005 black	
Quick Fit 5,5	7,5	5,5	6,4	17,0	9,3	16	0,9	B	SBVQ-M11	SBVQ-M01	SBVQ-M21	500
						25	0,5		MBVQ-M11	MBVQ-M01	MBVQ-M21	
						120	0,2		HBVQ-M11	HBVQ-M01	HBVQ-M21	
						300	0,1		UHBVQ-M11	UHBVQ-M01	UHBVQ-M21	

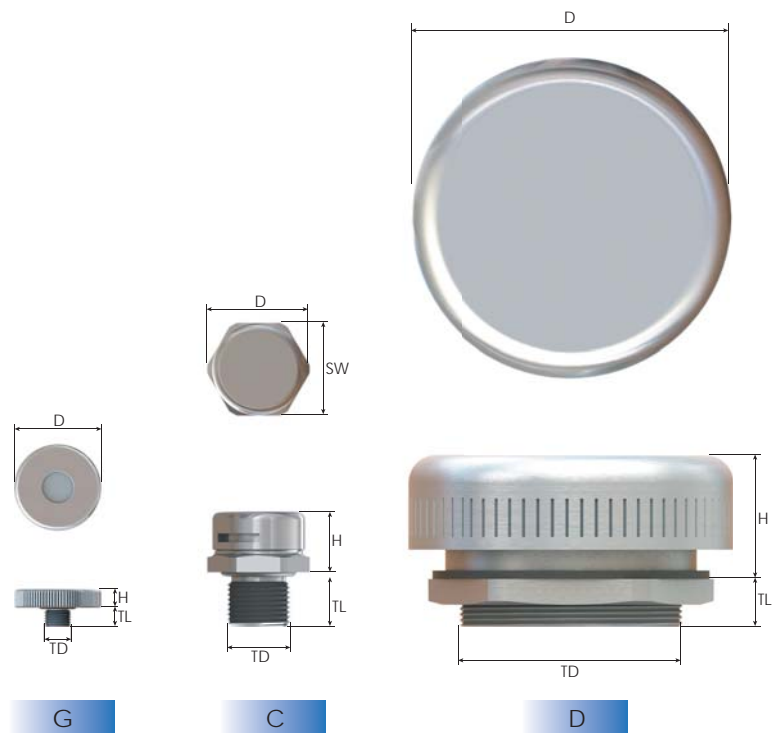
Ventilation Plugs Metal

Ventilation plugs for pressure balancing

- Balances pressure differences between inner housing and the outside environment.
- Prevents damages according to pressure differences.
- Prevents the formation of water condensation in tightly-sealed standard housings.
- Membrane properties: hydrophobic, oleophobic.
- For metal machines and housings.
- For industrial applications in harsh environments.

Technical Details

Material	Body	Stainless steel / Aluminium	
	Vent Membran	Acrylic co-polymer on nylon-support	
	O-Ring	NBR	
Protection Class	IP 68 / IP 67 (for water intrusion pressure 0.1 bar)		
Operating Temperature	Permanent	-20 °C to +100 °C	Intermittent
			-30 °C to +150 °C
Accessories	<ul style="list-style-type: none"> • Lock nuts • Gaskets 		
Remarks	<ul style="list-style-type: none"> • We recommend the use of lock nuts and gaskets to ensure IP rating for rough surfaces or through holes. 		



Ventilation Plugs Metal

Thread Type **METRIC** acc. to EN 60423 (Stainless Steel)

Size	Thread Length TL mm	Thread Ø TD mm	Spanner Width SW mm	Outer Ø D mm	max. Height H mm	Average Air Flow for ΔP = 70 mbar l/h	Water Intrusion Pressure bar	Design Type	Part Number	Packing Unit
M12x1,0	10	12,0	17	17,0	11,0	16	0,9	C	SBBVP-01S	50
						25	0,5		MBBVP-01S	
						120	0,2		HBBVP-01S	
						300	0,1		UHBBVP-01S	
M12x1,5	6 10 6 10 6 10 6 10	12,0	17	17,0	11,0	16	0,9	C	SBBVP-01	50
						25	0,5		SBBVP-01L	
						120	0,2		MBBVP-01	
						300	0,1		HBBVP-01	
						16	0,9		HBBVP-01L	
						25	0,5		UHBBVP-01	
						120	0,2		UHBBVP-01L	
						300	0,1		UHBBVP-01L	
M16x1,5	6	16,0	18	17,0	12,0 16,0 12,0 16,0 12,0 16,0 12,0 16,0	16	0,9	C	SBBVP-02	50
						25	0,5		SBBVP-02L	
						120	0,2		MBBVP-02	
						300	0,1		MBBVP-02L	
						16	0,9		HBBVP-02	
						25	0,5		HBBVP-02L	
						120	0,2		UHBBVP-02	
						300	0,1		UHBBVP-02L	
M20x1,5	6	20,0	22	17,0	13,0 17,0 13,0 17,0 13,0 17,0 13,0 17,0	16	0,9	C	SBBVP-03	50
						25	0,5		SBBVP-03L	
						120	0,2		MBBVP-03	
						300	0,1		MBBVP-03L	
						16	0,9		HBBVP-03	
						25	0,5		HBBVP-03L	
						120	0,2		UHBBVP-03	
						300	0,1		UHBBVP-03L	
M40x1,5	10	40,0	-	58,0	21,0	120	0,9	D	SBBVPX-05	1
						375	0,5		MBBVPX-05	
						1350	0,2		HBBVPX-05	
						2200	0,1		HBBVPX-05	
						2200	0,1		UHBBVPX-05	

Thread Type **METRIC** acc. to EN 60423 (Aluminium)

Size	Thread Length TL mm	Thread Ø TD mm	Spanner Width SW mm	Outer Ø D mm	max. Height H mm	Average Air Flow for ΔP = 70 mbar l/h	Water Intrusion Pressure bar	Design Type	Part Number	Packing Unit
M4x0,7	3	4,0	-	12,3	2,7	4	0,9	G	SBAVP-01	100
						7	0,5		MBAVP-01	
						35	0,2		HBAVP-01	
						100	0,1		UHBAVP-01	
M8x0,75	8	8,0	-	12,3	2,7	4	0,9	G	SBAVP-02	100
						7	0,5		MBAVP-02	
						35	0,2		HBAVP-02	
						100	0,1		UHBAVP-02	



Thread Type **PG** acc. to DIN 40430 (Stainless Steel)

Size	Thread Length TL mm	Thread Ø TD mm	Spanner Width SW mm	Outer Ø D mm	max. Height H mm	Average Air Flow for ΔP = 70 mbar l/h	Water Intrusion Pressure bar	Design Type	Part Number	Packing Unit
PG 7	10,5	12,5	17	17,0	11,0	16	0,9	C	SBBVP-0S	50
						25	0,5		MBBVP-0S	
						120	0,2		HBBVP-0S	
						300	0,1		UHBBVP-0S	

PRESSURE BALANCE ELEMENTS for Industrial Application

<p>Car Head Lamps</p> 	<p>Led Lighting & wall washer Lighting</p> 
<p>Control Cabinets</p> 	<p>Outdoor lighting</p> 
<p>Power supply</p> 	<p>Solar Panels</p> 

Further Accessories for Ventilation Glands & Plugs

Dome Plugs	
	74
Gaskets	
	80