

1990 年创建

美国UL-CTDP、德国VDE-TDAP和CNAS实验室

6 大专业化生产基地

40000+ 高品质产品

100+ 国家和地区覆盖

DEGSON全球工业连接器制造商,为客户提供定制化解决方案

如需所有产品的详情,请访问如下网站:

[www.degson.com](http://www.degson.com)



网址: [www.degson.com](http://www.degson.com)

电话: 400-885-2488

邮箱: [info@degson.com](mailto:info@degson.com)



DEGSON官网



微信公众号

本目录仅供参考,具体信息请以我司规格书为准  
The catalog is only for reference, and the detail data  
must be based on our company's specification!

IFC-25-11



## IFC 新能源

### 行业应用解决方案

IFC New Energy Industrial Application&Solutions



## 共创光储行业的未来

随着全球能源结构的深刻变革,光储行业正迎来前所未有的发展机遇与挑战。我们秉持着创新、绿色、智能的理念,致力于为客户提供高效、可靠、环保的光储解决方案,共同开创光储行业的美好未来。

With the profound transformation of the global energy structure, the photovoltaic storage industry is ushering in unprecedented development opportunities and challenges. With the concept of innovation, green and intelligence, we are committed to providing customers with efficient, reliable and environmentally friendly photovoltaic storage solutions, and jointly creating a bright future for this industry.

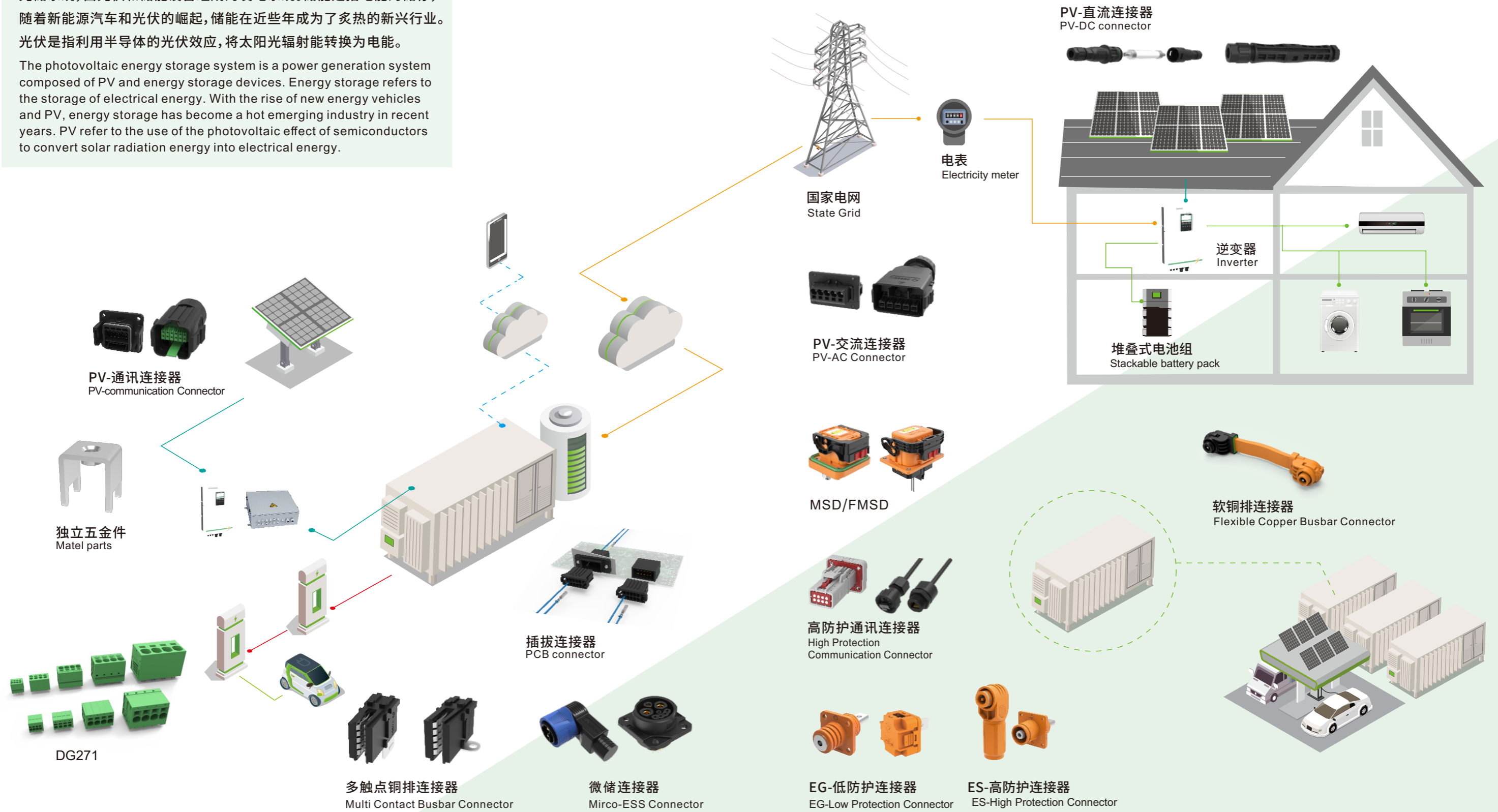


# 目录 CONTENTS

行业概述.....	01-02
Industry Overview	
光伏前言.....	03-04
Photovoltaic Introduction	
光伏产品索引.....	05-06
Photovoltaic Product Index	
光伏产品概述.....	07-10
Photovoltaic Product Overview	
光伏直流连接器.....	11-16
Photovoltaic DC Connector	
光伏交流连接器.....	17-20
Photovoltaic AC Connector	
光伏通讯连接器.....	21-26
Photovoltaic communication Connector	
混合电源连接器系列.....	27-34
Hybrid power Connector Series	
微型逆变器连接解决方案.....	35-36
Micro Inverter Connector Solution	
阳台储能连接解决方案.....	37-38
Balcony energy storage Connector Solution	
免工具连接器.....	39
Tool-free Connector	
独立五金件.....	40
Metal Part	
储能前言.....	41-42
Energy Storage Introduction	
储能产品索引.....	43-44
Energy Storage Product Index	
储能产品概述.....	45-48
Energy Storage Product Overview	
高防护单芯大电流系列.....	49-68
High protection single core high current Series	
浸没式液冷连接解决方案.....	69-70
Immersion liquid cooling Connector Solution	
低防护连接器系列.....	71-73
Low Protection Connector Series	
通讯连接器系列.....	74-78
Communication Connector Series	
MSD/FMSD系列.....	79-80
MSD/FMSD Series	
软铜排连接器系列.....	81
Flexible copper busbar Connector Series	
多触点铜排连接器系列.....	82
Multi Contact Busbar Connector	
基站储能母排连接解决方案.....	83-84
Base station energy storage busbar Connector Solution	
移动储能连接解决方案.....	85-86
Mobile energy storage Connector Solution	
插拔式连接器.....	87-90
PCB Connector	
栅栏穿墙端子.....	91-93
Through-wall terminal blocks	
直插固定型连接器.....	94
Plug-in Connector	
线束定制.....	95
Wire harness customization	
应用案例.....	96
Application Cases	

光储系统,由光伏和储能设备组成的发电系统。储能是指电能的储存,随着新能源汽车和光伏的崛起,储能在近些年成为了炙热的新兴行业。光伏是指利用半导体的光伏效应,将太阳光辐射能转换为电能。

The photovoltaic energy storage system is a power generation system composed of PV and energy storage devices. Energy storage refers to the storage of electrical energy. With the rise of new energy vehicles and PV, energy storage has become a hot emerging industry in recent years. PV refer to the use of the photovoltaic effect of semiconductors to convert solar radiation energy into electrical energy.





## 光伏前言

光伏连接器是光伏发电系统能量传输与信号控制的核心枢纽，其性能与可靠性直接关系到电站的安全、效率和长期稳定运行。

DEGSON专注于提供全系列、高性能的光伏连接解决方案。

针对系统不同环节的关键需求，我们提供：

- ◎ 直流连接器：专为组件串联及设备端直流侧设计，确保高电压、大电流环境下的安全高效传输。
- ◎ 交流连接器：满足逆变器输出端至电网接入点的连接要求，保障交流电力的稳定输出。
- ◎ 通讯连接器：为系统监控数据传输提供可靠的信号连接，实现电站的实时状态管理与智能运维。
- ◎ 定制防水罩：提供卓越的密封防护，有效抵御恶劣环境侵蚀，保障各类连接器在户外的长期可靠运行。

DEGSON 光伏连接器产品系列，以精工品质、严格认证和优异的耐候性能，致力于为您的光伏电站提供安全、高效、持久的连接保障，最大化系统稳定性与发电效率。



地面光伏系统  
Ground-mounted photovoltaic systems



水面光伏系统  
Floating photovoltaic systems



































屋顶光伏系统  
Rooftop photovoltaic systems



混合能源  
Hybrid energy

光伏产品索引  
Photovoltaic Product Index

<p>直流端 DC Connector</p>	  <p>直流连接器(线端) DC Connector ( cable )</p>	  <p>直流连接器(板端) DC Connector ( panel )</p>	  <p>直流连接器(熔断丝款) DC Connector ( with fuse )</p>	  <p>直流连接器(快装款) DC Connector ( quick-install )</p>	  <p>直流2芯连接器 2 Pins DC Power Connector</p>
<p>交流端 AC Connector</p>	  <p>交流3芯连接器 (35A) 3 Pins AC Power Connector ( 35A )</p>	  <p>交流3芯连接器(80A) 3 Pins AC Power Connector (80A)</p>	  <p>交流5芯连接器(35A) 5 Pins AC Power Connector (35A)</p>	  <p>交流5芯连接器(65A) 5 Pins AC Power Connector (65A)</p>	  <p>交流10芯连接器(65A) 10 Pins AC Power Connector(65A)</p>
<p>通讯端 Communication Connector</p>	  <p>通讯12芯连接器 12 Pins Communication Connector</p>	  <p>通讯18芯连接器 18 Pins Communication Connector</p>	  <p>通讯26芯包塑连接器 26 Pins over-molding Communication Connector</p>	  <p>无线WiFi棒 WiFi Cover</p>	  <p>4芯/5芯RJ45连接器 4/5 Pins RJ45 Communication Connector</p>   <p>通讯双网口 Dual RJ45 communication Connector</p>



光伏连接器是连接光伏发电系统内组件、汇流箱、控制器和逆变器等各个部件的关键零件。DEGSON提供从光伏面板、直流电布线系统、逆变器到用于并网的交流连接系统等光伏解决方案的连接器产品。

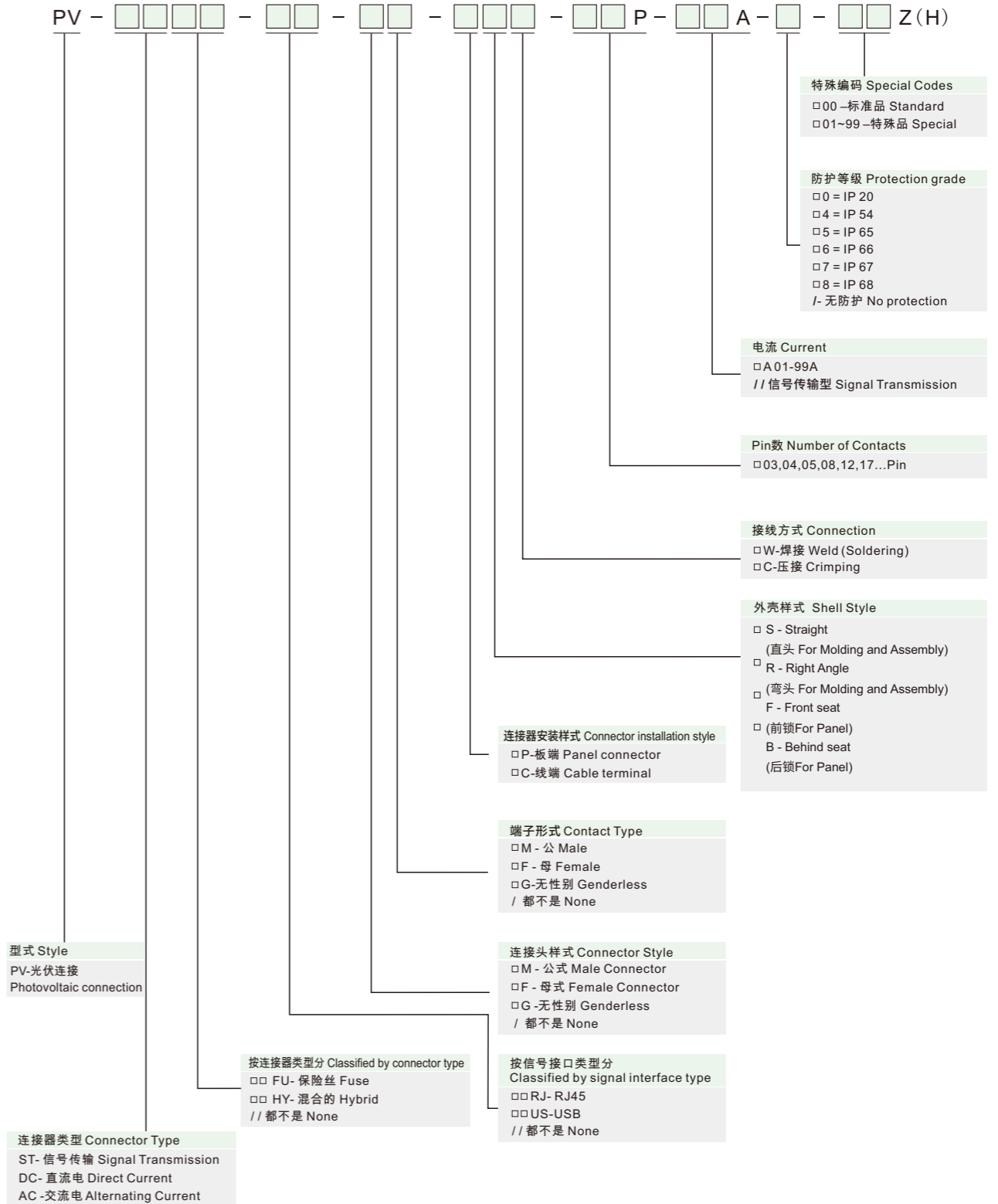
Photovoltaic connectors are used to connect components of inverters and other components. Degson provides photovoltaic connection solution from photovoltaic panels, DC wiring system, and inverter to AC grid-connected system, etc.

**光伏连接器特点:**  
Features of Photovoltaic connector :

- ✔ 体积小, 装置预留空间小, 狭窄的空间中, 也能轻松应对
- ✔ 高防护等级, 可定制防水外壳, 使端子具备防水性能
- ✔ 接线效率高, 现场接线时间短
- ✔ 二次工具解锁: 扳扣式工具解锁配件, 防止误拔, 使用更安全
- ✔ Small size, small space required for installation, can be easily handled in narrow spaces
- ✔ High protection level, customizable waterproof shell, making the terminal waterproof
- ✔ High wiring efficiency and save on-site wiring time
- ✔ Secondary tool unlocking: The trigger tool unlocks the accessories to prevent accidental removal and make it safer to use.



光伏连接器编码规则 Photovoltaic Connectors Part Number



例如:  
PV-DC-MF-CSC-01P-40A-8-00Z(H), 直流线端公式连接器, 40A, 防护等级IP68

For example:  
PV-DC-MF-CSC-01P-40A-8-00Z(H), DC side male cable connector, 40A, Protection level IP68

独立五金件  
Metal parts

- 适用于装置内部配线, 成本控制更优异
- 电流可达350A, 适应多种场合
- 多种成型工艺加持, 满足不同扭力与盐雾要求
- Suitable for internal wiring of devices, with better cost control
- The current can reach 350A, suitable for various application
- A variety of molding processes to meet different torque and salt spray requirements

穿墙式连接器  
Through-wall terminal blocks

- 卡板式安装结构, 可适配1-5mm厚度面板, 安装更加灵活
- 电流覆盖范围32A-232A, 满足客户不同功率设计
- 传统的螺钉接线技术, 接线牢固, 接线范围大
- Through-wall mounted, adaptable to 1-5mm thick panels for more flexible installation
- Current range 32A-232A, meeting the needs of customers with different power designs
- Screw Connection technology, secure wiring, and wide wiring range

PV-直流连接器  
PV-DC connector

- 防触指设计:  
接合方便, 解锁需要工具, 防止手指直接接触, 更加安全可靠
- 符合人体工学:  
螺帽螺母结构设计锁合时更舒适, 更省力
- 高防护:  
IP68防尘防水
- Anti-finger touch design:  
Easy to engage, requires tools to unlock, preventing direct finger contact for enhanced safety and reliability.
- Ergonomic design:  
The nut and bolt structure design makes locking more comfortable and effortless.
- High protection:  
IP68 dustproof and waterproof.

PV-交流连接器  
PV-AC connector

- 二次工具解锁:  
扳扣式工具解锁配件, 防止误拔, 使用更安全
- 高防护:  
IP67防尘防水, 为设备安全保驾护航。
- 体积小:  
应用于狭窄的空间中, 也能轻松应对
- Secondary Lock:  
A lever-type tool unlocks the accessory, preventing accidental removal and ensuring safer use.
- High Protection:  
IP67 dust and water resistance ensures device safety.
- Small Size:  
Easily adapts to limited spaces.

PV-通讯连接器  
PV-Communication connector

- 提高接线效率, 降低现场接线时间
- 产品集成度高, 装置预留空间小
- 高防护等级, 要求端子具备防水性能
- 具有现场快速连接和断开的能力
- Improve wiring efficiency and save on-site wiring time.
- High product integration requires minimal installation space.
- High protection level requires waterproof terminals.
- Enables quick on-site connection and disconnection.

光伏产品概述 Photovoltaic Product Overview



直流连接器 (标准)  
1500V/2000V  
应用于光伏组件与设备的连接  
**DC Connector (Standard)**  
1500V/2000V  
Used for connection between photovoltaic modules and equipment



直流连接器 (快装)  
1500V; 30A/35A  
快装款可实现快速接线  
**DC Connector(quick-install)**  
1500V; 30A/35A  
Quick-install version allows for quick wiring



直流连接器 (熔断丝款)  
1500V; 20A/25A/30A  
内置保险丝, 可实现短路保护  
**DC Connector (with fuse)**  
1500V; 20A/25A/30A  
Built-in fuse for short circuit protection



直流2芯连接器  
600V; 150A  
常用于汇流组件, 光伏设备  
**2 Pins DC Power Connector**  
600V; 150A  
Applied to busbar components, photovoltaic equipment



PV-交流连接器  
600V; 35A/65A/80A  
应用于光伏设备交流端连接  
**PV-AC Connector**  
600V; 35A/65A  
Applied to AC connection of photovoltaic equipment



PV-通讯连接器  
250V; 1.5A  
应用于光伏设备通讯连接  
**PV-communication connector**  
250V; 1.5A  
Applied to photovoltaic equipment communication connection



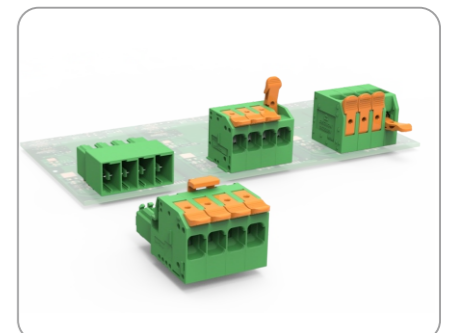
定制防水罩  
配套开发满足客户定制化需求

**Customized waterproof cover**  
Supporting to meet customer customized needs



独立五金件  
15A~350A  
适用于新能源、工业自动化等行业装置内连接场景

**Matel parts**  
15A~350A  
Applicable to connection scenarios in new energy, industrial automation and other industries



DLS产品  
舒适省力的双杆设计弹簧技术, 快速接线, 免工具

**Dual-Lever Spring**  
Comfortable and labor-saving Dual-Lever design Spring technology, quick connection, tool-free

## 直流连接器-1500V DC Connector-1500V

- 额定电压: 1500V
- 额定电流: 40A
- 高防护等级IP68
- 符合人体工学设计,更省力
- Rated voltage: 1500V
- Rated current: 40A
- High protection Level IP68
- Ergonomic design makes it more effective



板端  
Panel

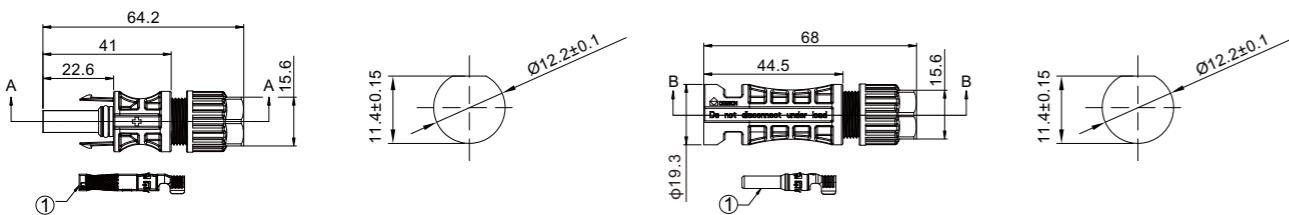


线端  
Cable

### 技术数据 Technical Data

订货号 Order NO.	PV-DC-MF-CSC-01P-40A-8-00Z(H) PV-DC-MF-PSC-01P-40A-8-00Z(H)	PV-DC-FM-CSC-01P-40A-8-00Z(H) PV-DC-FM-PSC-01P-40A-8-00Z(H)	
额定电流 Rated current	40A	接线方式 Connection mode	铆压 Riveting press
额定电压 Rated voltage	1500V	材质 Material	PA
横截面积 Cross Section	4.0~6.0mm <sup>2</sup>	接触件 Contact parts	紫铜镀锡 Red Copper Tin-plated
阻燃等级 Flame retardant rating	UL94V-0	防护等级 Protection level	IP68(对插) IP68(Mated)
运行温度 Operating temperature	-40°C ~ +85°C	环保 Environment requirement	RoHS/REACH
—	—	认证 Certification	TUV

### 尺寸图 Dimensions



板端公插头  
Panel male plug

建议开孔尺寸  
Suggested hole size

板端母插座  
Panel female socket

建议开孔尺寸  
Suggested hole size

## 直流连接器-2000V DC Connector-2000V

- 额定电压: 2000V
- 额定电流: 40A
- 高防护等级IP68
- 符合人体工学设计,更省力
- Rated voltage: 2000V
- Rated current: 40A
- High protection Level IP68
- Ergonomic design makes it more effective



板端  
Panel

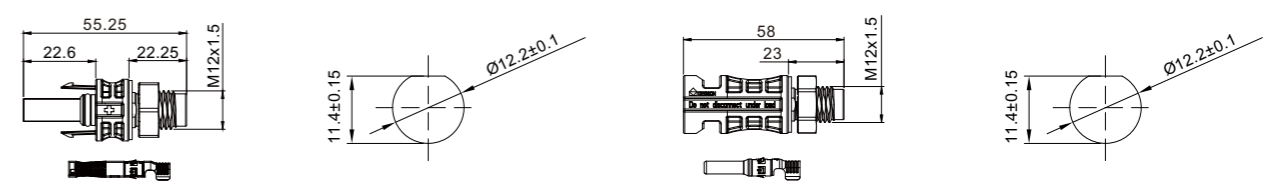


线端  
Cable

### 技术数据 Technical Data

订货号 Order NO.	PV-DC-MF-CSC-01P-40A-8-01Z(H) PV-DC-MF-PSC-01P-40A-8-01Z(H)	PV-DC-FM-CSC-01P-40A-8-02Z(H) PV-DC-FM-PSC-01P-40A-8-02Z(H)	
额定电流 Rated current	40A	接线方式 Connection mode	铆压 Riveting press
额定电压 Rated voltage	2000V	材质 Material	PA
横截面积 Cross Section	4.0~6.0mm <sup>2</sup>	接触件 Contact parts	紫铜镀锡 Red Copper Tin-plated
阻燃等级 Flame retardant rating	UL94V-0	防护等级 Protection level	IP68(对插) IP68(Mated)
运行温度 Operating temperature	-40°C ~ +85°C	环保 Environment requirement	RoHS/REACH
—	—	认证 Certification	UL

### 尺寸图 Dimensions



板端公插头  
Panel male plug

建议开孔尺寸  
Suggested hole size

板端母插座  
Panel female socket

建议开孔尺寸  
Suggested hole size

## 直流连接器 (线式熔断丝款) DC Connector (with wire fuse)

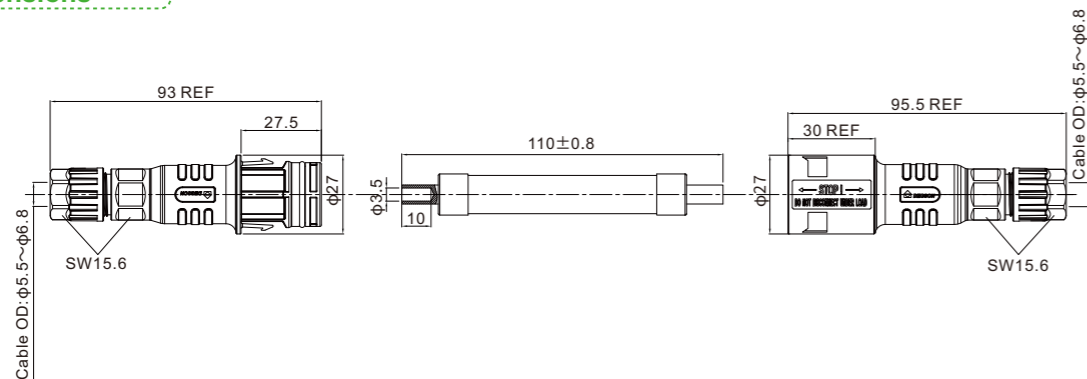
- 额定电压: 1500V
- 额定电流: 20A/25A
- 快速插拔
- 插拔力适中
- 熔断丝多种规格可选:20A;25A
- Rated voltage: 1500V
- Rated current: 20A/25A
- Quick locking and unlocking
- Moderate insertion and withdrawal force
- Fuse type: 20A;25A



### 技术数据 Technical Data

订货号 Order NO.	PV-DCFU-G-CSC-25A-8-00Z(H)		
额定电流 Rated current	20A/25A	接线方式 Connection mode	压接 Crimping
额定电压 Rated voltage	1500V DC	机械寿命 Mechanical life	100
绝缘电阻 Insulation resistance	≥5000MΩ	运行温度 Operating temperature	-40°C ~ +85°C
阻燃等级 Flame retardant rating	UL94V-0	环保 Environment requirement	RoHS
防护等级 Protection level	IP68(对插) 1m,1h IP68(Mated)	—	—
—	—	—	—

### 尺寸图 Dimensions



## 直流连接器 (熔断丝款) DC Connector (with fuse)

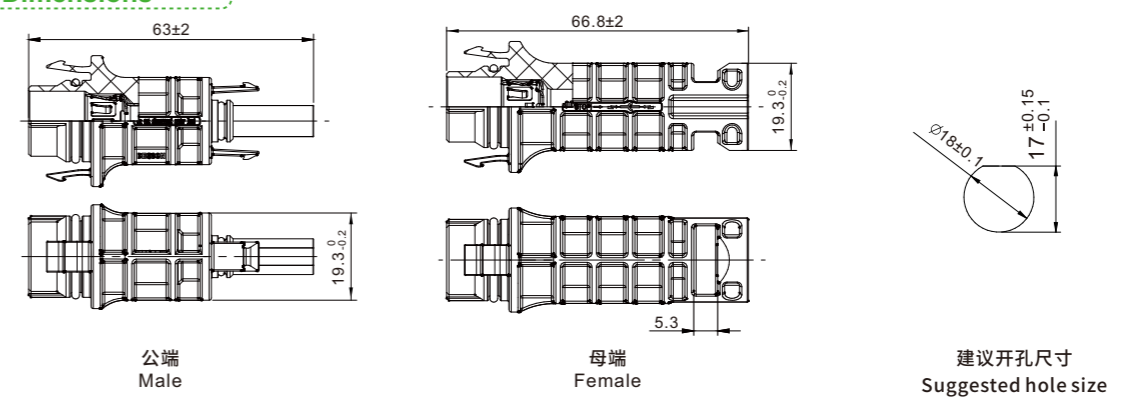
- 额定电压: 1500V
- 额定电流: 30A
- 手动解锁, 卡扣式锁合结构
- 熔断丝多种规格可选:20A;25A;30A
- Rated voltage: 1500V
- Rated current: 30A
- Manual unlocking, snap-on cable lock structure
- Fuse type: 20A;25A;30A



### 技术数据 Technical Data

订货号 Order NO.	PV-DCFU-FM-PSC-01P-30A-8-00Z(H) PV-DCFU-MF-PSC-01P-30A-8-00Z(H)		
额定电流 Rated current	30A	额定冲击电压 Rate impulse voltage	12KV
额定电压 Rated voltage	1500V	运行温度 Operating temperature	-40°C ~ +85°C
绝缘电阻 Insulation resistance	≥1000MΩ	防护等级 Protection level	IP68(对插) 1m,2h IP68(Mated)
接触电阻 Contact resistance	≤3mΩ	保险丝尺寸 Fuse size	10×38mm
阻燃等级 Flame retardant rating	UL94V-0	环保 Environment requirement	RoHS
—	—	—	—

### 尺寸图 Dimensions



## 直流连接器 (快装款) DC Connector (Quick install)

- 额定电压: 1500V
- 额定电流: 30A/35A
- 接线方便快捷, 即剥即插
- 节省成本, 插针采用冲压针工艺, 性价比更高
- Rated voltage: 1500V
- Rated current: 30A/35A
- Easy and quick wiring, once insert quick install
- The pin adopts stamping needle technology, cost Saving



公端  
Male

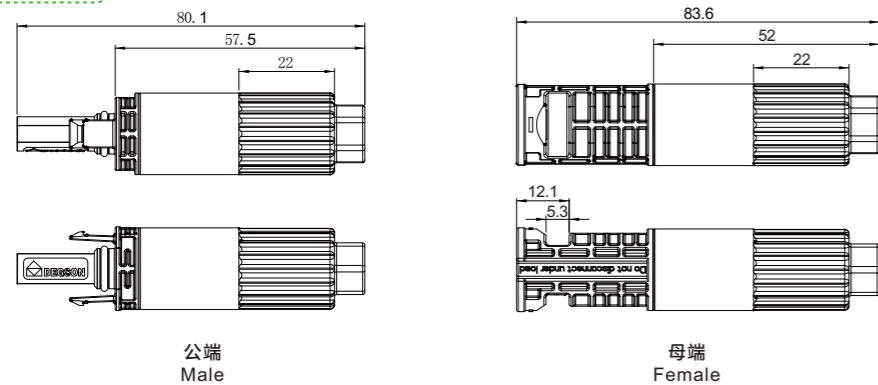


母端  
Female

### 技术数据 Technical Data

订货号 Order NO.	PV-DC-MF-CSC-01P-40A-8-03Z(H) PV-DC-FM-CSC-01P-40A-8-05Z(H)		
额定电流 Rated current	30A (4.0mm <sup>2</sup> /12AWG) 35A (6.0mm <sup>2</sup> /10AWG)	额定冲击电压 Rate impulse voltage	16KV
额定电压 Rated voltage	1500V	运行温度 Operating temperature	-40°C ~ +85°C
绝缘电阻 Insulation resistance	≥1000MΩ	线缆直径 Cable diameter	6.2mm~7.9mm
接触电阻 Contact resistance	≤0.45mΩ	防护等级 Protection level	IP68(对插) 1m,2h IP68(Mated)
阻燃等级 Flame retardant rating	UL94V-0	环保 Environment requirement	RoHS
剥线长度 Length of wire	22±1mm	—	—

### 尺寸图 Dimensions



## 直流2芯连接器 2 Pins DC Power Connector

- 额定电压: 600V
- 额定电流: 150A
- 快速插拔
- 工具解锁更安全
- Rated voltage: 600V
- Rated current: 150A
- Quick locking and unlocking
- Tool unlocking is safer



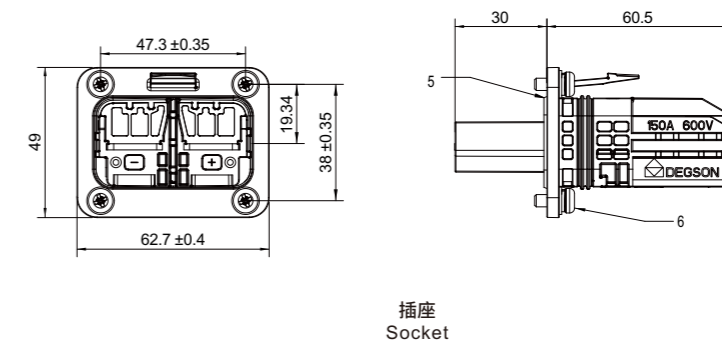
插头  
Plug

插座  
Socket

### 技术数据 Technical Data

订货号 Order NO.	PV-DC-MG-CS-2P-150A-6-CNG331 PV-DC-FG-PF-2P-150A-6-CNG331		
额定电流 Rated current	150A	接线方式 Connection mode	螺钉 Screw
额定电压 Rated voltage	600V	盐雾 Salt spray	72H
接触电阻 Contact resistance	≤0.25mΩ	线缆规格 Cable specification	35mm <sup>2</sup> , 线材外径13mm±1mm 35mm <sup>2</sup> , wire outer diameter 13mm ± 1mm
阻燃等级 Flame retardant rating	UL94V-0	认证 Certification	TUV
运行温度 Operating temperature	-40°C ~ +85°C	环保 Environment requirement	RoHS
防护等级 Protection level	IP66(对插) IP66(Mated)	—	—

### 尺寸图 Dimensions



## 交流3芯连接器(35A) 3 Pins AC Power Connector(35A)

- 额定电压: 600V
- 额定电流: 35A
- 弹簧式连接, 接线更方便
- 适合多种线径规格
- Rated voltage: 600V
- Rated current: 35A
- Spring-type connection, easier wiring
- Suitable for various wire diameters



插头  
Plug

插座  
Socket

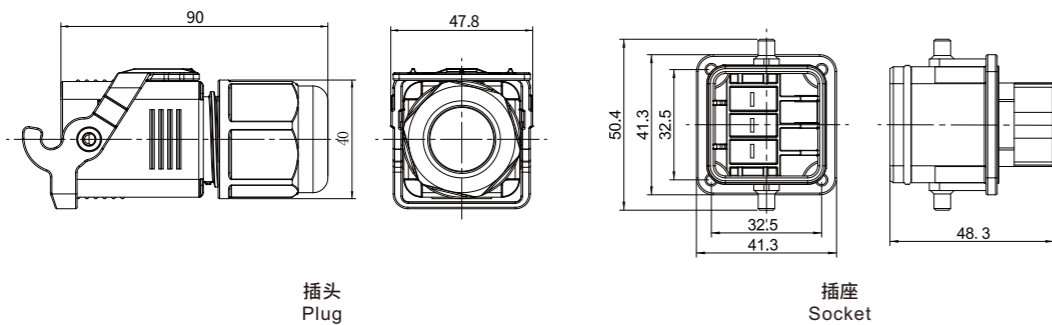


防护盖  
cover

### 技术数据 Technical Data

订货号 Order NO.	PV-AC-P-03P-00Z(H) PV-AC-S-03P-00Z(H) CAP-PV-AC-S-03P-00Z(H)	端子绝缘材料 Plastic material	PA66
额定电流 Rated current	35A	端子接触件材料 Terminal Blocks Contact material	铜合金 Copper Alloy
额定电压 Rated voltage	600V	触点区域金属表面 Contact point metal surface	镀锡 Tin plated
绝缘电阻 Insulation resistance	5000MΩ	接线范围 Wiring range	10-12mm, 12-16mm, 16-21mm
接触电阻 Contact resistance	≤10mΩ	插拔次数 Insertion/withdrawal cycles	50
阻燃等级 Flame retardant rating	UL94V-0	环保 Environment requirement	RoHS
运行温度 Operating temperature	-40°C ~ +85°C	认证信息 Certification	TUV
防护等级 Protection level	IP67(对插) IP67(Mated)		

### 尺寸图 Dimensions



插头  
Plug

插座  
Socket

## 交流5芯连接器(35A) 5 Pins AC Power Connector(35A)

- 额定电压: 600V
- 额定电流: 35A
- 弹簧式连接, 接线更方便
- 适合多种线径规格
- Rated voltage: 600V
- Rated current: 35A
- Spring-type connection, easier wiring
- Suitable for various wire diameters



插头  
Plug

插座  
Socket

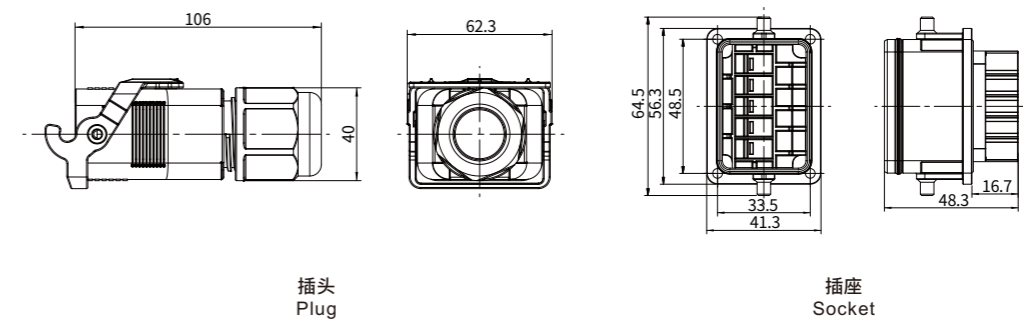


防护盖  
cover

### 技术数据 Technical Data

订货号 Order NO.	PV-AC-P-05P-00Z(H) PV-AC-S-05P-00Z(H) CAP-PV-AC-S-05P-00Z(H)	端子绝缘材料 Plastic material	PA66
额定电流 Rated current	35A	端子接触件材料 Terminal Blocks Contact material	铜合金 Copper Alloy
额定电压 Rated voltage	600V	触点区域金属表面 Contact point metal surface	镀锡 Tin plated
绝缘电阻 Insulation resistance	5000MΩ	接线范围 Wiring range	10-12mm, 12-16mm, 16-21mm
接触电阻 Contact resistance	≤10mΩ	插拔次数 Insertion/withdrawal cycles	50
阻燃等级 Flame retardant rating	UL94V-0	环保 Environment requirement	RoHS
运行温度 Operating temperature	-40°C ~ +85°C	认证信息 Certification	TUV
防护等级 Protection level	IP67(对插) IP67(Mated)		

### 尺寸图 Dimensions



插头  
Plug

插座  
Socket

## 交流5芯连接器(65A) 5 Pins AC Power Connector(65A)

- 额定电压: 600V
- 额定电流: 65A
- 快速插拔
- 二次工具解锁
- Rated voltage: 600V
- Rated current: 65A
- Quick locking and unlocking
- Secondary tool unlocking



插头  
Plug

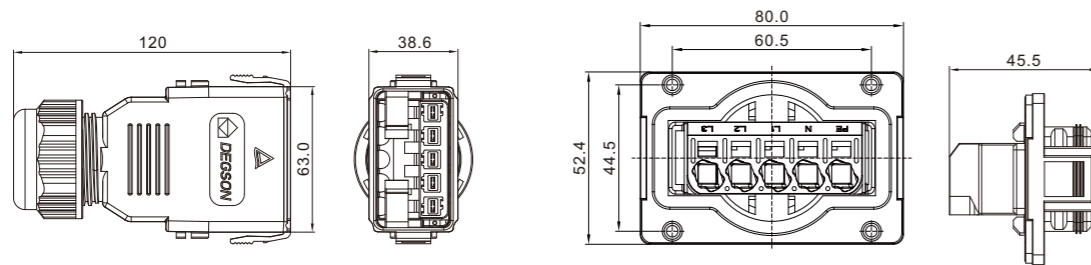


插座  
Socket

### 技术数据 Technical Data

订货号 Order NO.	DG043-PV-PB-05P-FF DG043-PV-SC-05P-MM	接线方式 Connection mode	螺钉连接 Screw connection
额定电流 Rated current	65A	盐雾 Salt spray	48H
额定电压 Rated voltage	600V	耐电压 Withstand voltage	2200V
绝缘电阻 Insulation resistance	≥100MΩ	机械寿命 Mechanical lifecycle	100
阻燃等级 Flame retardant rating	UL94V-0	环保 Environment requirement	RoHS
运行温度 Operating temperature	-40°C ~ +105°C	认证信息 Certification	TUV
防护等级 Protection level	IP66(对插) Ip66 (Mated)		

### 尺寸图 Dimensions



插头  
Plug

插座  
Socket

## 交流10芯连接器(65A) 10 Pins AC Power Connector(65A)

- 额定电压: 600V
- 额定电流: 并网侧65A / 离网侧30A
- 快速插拔
- 二次工具解锁
- Rated voltage: 600V
- Rated current: Grid 65A / Load 30A
- Quick locking and unlocking
- Secondary tool unlocking



插头  
Plug

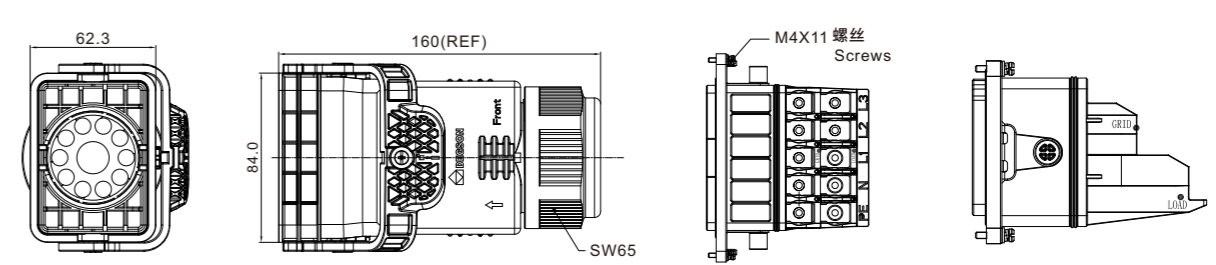


插座  
Socket

### 技术数据 Technical Data

订货号 Order NO.	PV-AC-M-PS-10P-65A-6-00Z(H) PV-AC-F-PS-10P-65A-6-00Z(H)	接线方式 Connection mode	螺钉连接 Screw connection
额定电流 Rated current	30A/65A	盐雾 Salt spray	48H
额定电压 Rated voltage	600V	阻燃等级 Flame retardant rating	UL94V-0
绝缘电阻 Insulation resistance	≥100MΩ	运行温度 Operating temperature	-40°C ~ +125°C
接触阻抗 Contact resistance	≤4.5mΩ	环保 Environment requirement	RoHS
耐电压 Withstand voltage	2200V	认证信息 Certification	TUV
防护等级 Protection level	IP66(对插) IP66 (Mated)		

### 尺寸图 Dimensions



插头  
Plug

插座  
Socket

## 通讯12芯连接器 12 Pins Communication Connector

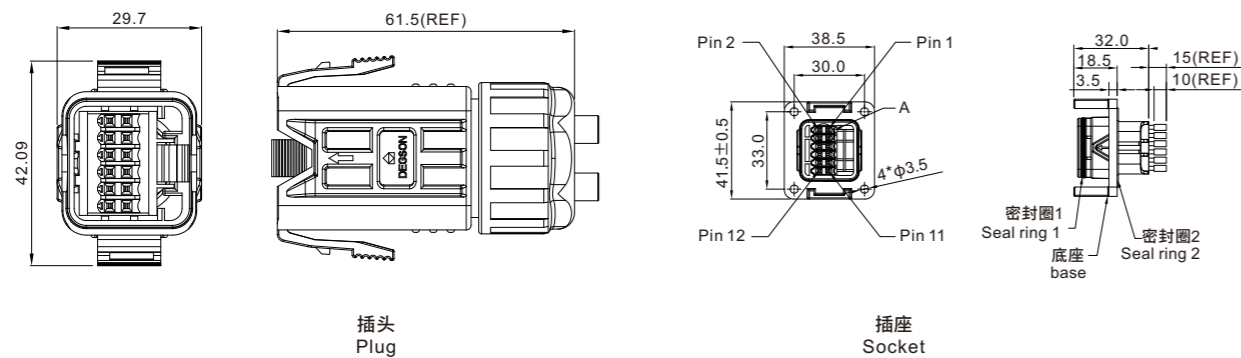
- 额定电压: 250V
- 额定电流: 1.5A
- 快速插拔
- 插拔力适中
- Rated voltage: 250V
- Rated current: 1.5A
- Quick locking and unlocking
- Moderate insertion and withdraw force



### 技术数据 Technical Data

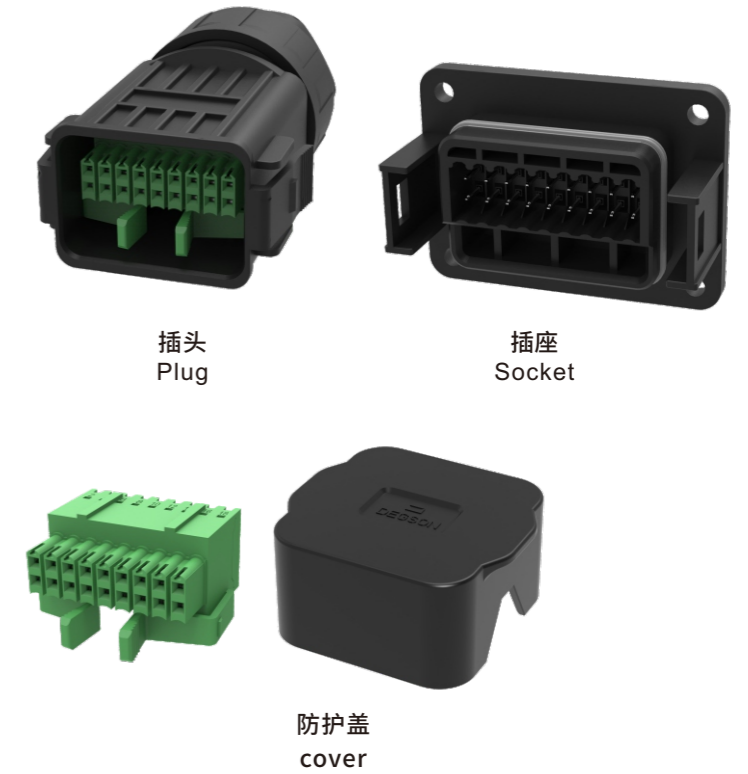
订货号 Order NO.	PV-ST-MF-PSC-12P-00A(H) PV-ST-FM-PFC-12P-00A(H) CAP-PV-ST-FM-PFC-12P-00A(H)		
额定电流 Rated current	1.5A	接线方式 Connection mode	压接 Crimping
额定电压 Rated voltage	250V	盐雾 Salt spray	48H
绝缘电阻 Insulation resistance	≥100MΩ	耐电压 Withstand voltage	500V AC
阻燃等级 Flame retardant rating	UL94V-0	拔出力 Withdrawal force	>25N
运行温度 Operating temperature	-40°C ~ +105°C	环保 Environment requirement	RoHS
防护等级 Protection level	IP67(对插) IP67(Mated)	认证信息 Certification	TUV, UL

### 尺寸图 Dimensions



## 通讯18芯连接器 18 Pins Communication Connector

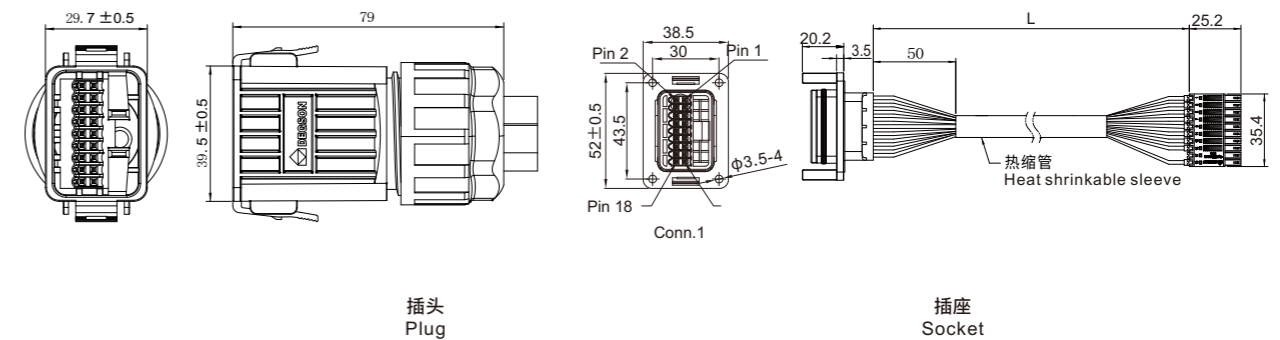
- 额定电压: 250V
- 额定电流: 1.5A
- 快速插拔
- 插拔力适中
- Rated voltage: 250V
- Rated current: 1.5A
- Quick locking and unlocking
- Moderate insertion and withdraw force



### 技术数据 Technical Data

订货号 Order NO.	PV-ST-MF-PSC-18P-00Z(H) PV-ST-FM-PFC-18P-00Z(H) CAP-PV-ST-FM-PFC-18P-00Z(H)		
额定电流 Rated current	1.5A	接线方式 Connection mode	压接 Crimping
额定电压 Rated voltage	250V	材质 Material	尼龙(Nylon)
绝缘电阻 Insulation resistance	≥500MΩ	耐电压 Withstanding voltage	1000V AC
阻燃等级 Flame retardant rating	UL94V-0	拔出力 Withdrawal force	—
运行温度 Operating temperature	-40°C ~ +85°C	环保 Environment requirement	RoHS
防护等级 Protection level	IP67(对插) IP67(Mated)	认证信息 Certification	TUV, UL

### 尺寸图 Dimensions



## 通讯26芯包塑连接器

### 26 Pins Over-molding Communication Connector

- 额定电压: 30V
- 额定电流: 1.5A
- 快速插拔
- 插拔力适中
- Rated voltage: 30V
- Rated current: 1.5A
- Quick locking and unlocking
- Moderate insertion and withdraw force



插头  
Plug

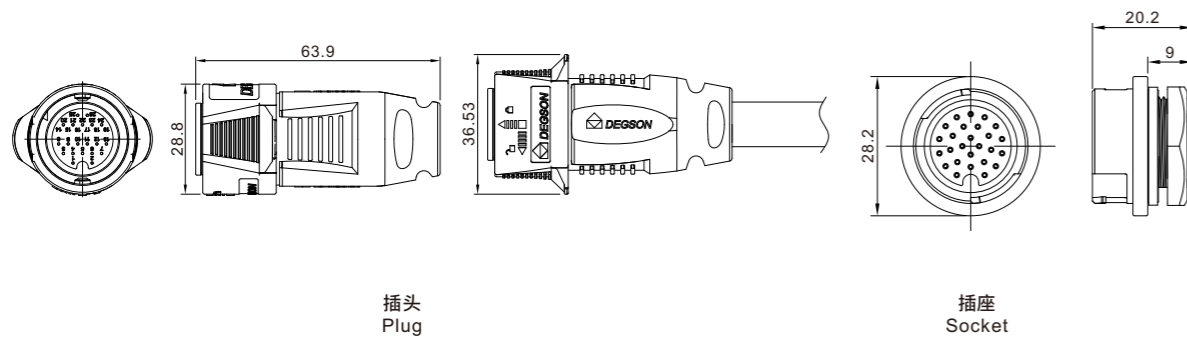


插座  
Socket

#### 技术数据 Technical Data

订货号 Order NO.	PV-ST-MM-PSW-20P-00A(H) PV-ST-FF-PFW-20P-00A(H)		
额定电流 Rated current	1.5A	接线方式 Connection mode	焊接 Welding (Soldering)
额定电压 Rated voltage	30V	盐雾 Salt spray	48H
绝缘电阻 Insulation resistance	≥100MΩ	耐电压 Withstanding voltage	500V AC
阻燃等级 Flame retardant rating	UL94V-0	机械寿命 Mechanical lifecycle	100
运行温度 Operating temperature	-40°C ~ +85°C	拔出力 Withdrawal force	>20N
防护等级 Protection level	IP67(对插) 1m,0.5h IP67(Mated)	环保 Environmental requirements	RoHS

#### 尺寸图 Dimensions



插头  
Plug

插座  
Socket

## 通讯双网口

### Dual RJ45 Communication Connector

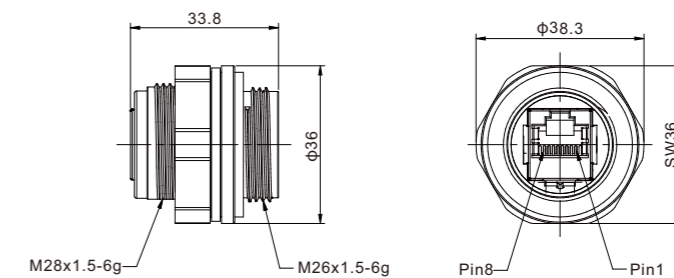
- 额定电压: 150V
- 额定电流: 1.5A
- 锁紧方式: 螺纹锁合
- Rated voltage: 150V
- Rated current: 1.5A
- Connector locking: Thread locking



#### 技术数据 Technical Data

订货号 Order NO.	DGK18-DOUBLE-RJ45-00A(H)		
额定电流 Rated current	1.5A	锁紧方式 Connector locking	螺纹锁合 Thread locking
额定电压 Rated voltage	150V	外壳材料 Material of housing	PA66 + GF
绝缘电阻 Insulation resistance	≥1000MΩ	过电压等级 Overvoltage category	III
阻燃等级 Flame retardant rating	UL94V-0	污染等级 Pollution degree	3
插拔次数 Insertion/withdrawal cycles	100	塑胶螺母扭力 Torsion	1.5~2.0N.m
运行温度 Operating temperature	-40°C ~ +85°C	环保 Environment requirement	RoHS
防护等级 Protection level	IP67(对插) IP67(Mated)	认证信息 Certification	TUV

#### 尺寸图 Dimensions



## WiFi棒 WiFi Cover

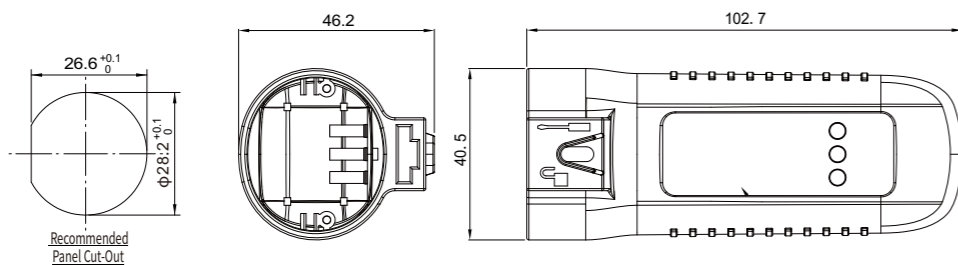
- 额定电压:12V
  - 额定电流: 0.7A
  - 快速插拔
  - 插拔力适中
- Rated voltage: 12V
  - Rated current: 0.7A
  - Quick locking and unlocking
  - Moderate insertion and withdraw force



### 技术数据 Technical Data

订货号 Order NO.	PV-ST-US-MF-PSC-01P-6-00ZH PV-ST-US-FM-PBC-01P-6-02ZH		
额定电流 Rated current	0.7A	机械寿命 Mechanical life	100
额定电压 Rated voltage	12V	环保 Environment requirement	RoHS
绝缘电阻 Insulation resistance	>100MΩ	—	—
阻燃等级 Flame retardant rating	UL94V-0	—	—
运行温度 Operating temperature	-40°C ~ +85°C	—	—
防护等级 Protection level	IP66(对插) IP66(Mated)	—	—

### 尺寸图 Dimensions



## 4芯/5芯RJ45连接器 4 / 5 Pins RJ45 Connector

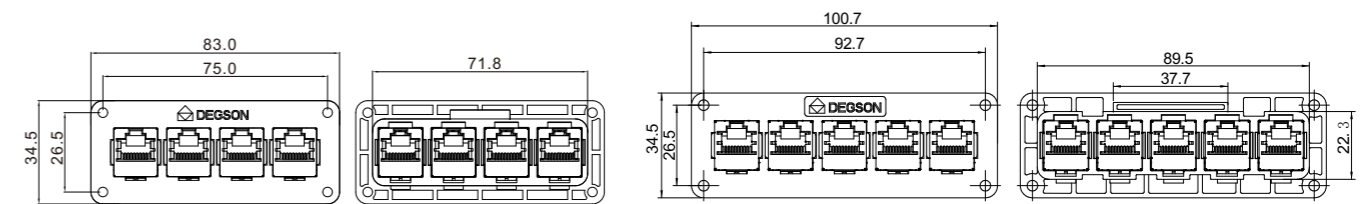
- 额定电压: 150V
  - 额定电流: 1.5A
  - 模块化RJ45网口
  - 节省面板空间, 利于设备小型化
- Rated voltage: 150V
  - Rated current: 1.5A
  - Modular RJ45 network port
  - Save panel space and facilitate equipment miniaturization



### 技术数据 Technical Data

订货号 Order NO.	DGK17-019-01-00A(H) DGK17-019-02-00A(H)		
额定电流 Rated current	1.5A	接线方式 Connection mode	—
额定电压 Rated voltage	150V	盐雾 Salt spray	48H
绝缘电阻 Insulation resistance	≥1000MΩ	耐电压 Withstand voltage	500V AC
阻燃等级 Flame retardant rating	UL94V-0	传输速率 Transmission rate	CAT5E
运行温度 Operating temperature	-40°C ~ +85°C	拔出力 Withdrawal force	>30N
防护等级 Protection level	—	环保 Environmental requirements	RoHS

### 尺寸图 Dimensions



4芯RJ45  
4 Pins RJ45

5芯RJ45  
5 Pins RJ45

## EBBL 圆形电源插头TUV认证款

### EBBL circular power plug with TUV certification

- 额定电压: 600V DC
- 额定电流: 电源50A, 信号2A
- 阳台储能电池接口
- 快速直插拔连接
- Rated voltage: 600V DC
- Rated current: Power 50A, signal 2A
- Balcony energy storage battery interface connection
- Fast connection



EBBL 直式插头TUV认证款  
EBBL straight plug with TUV certification

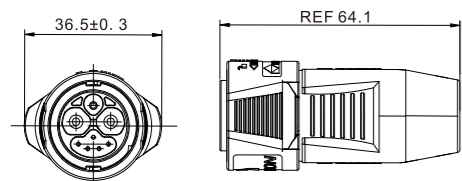


EBBL 弯式插头TUV认证款  
EBBL Angled plug with TUV certification

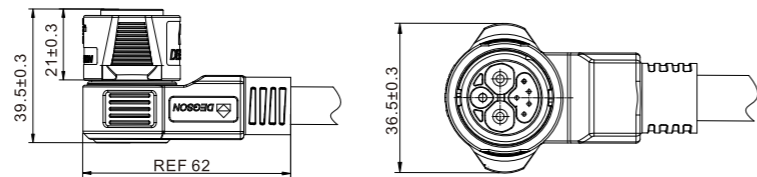
#### 技术数据 Technical Data

订货号 Order NO.	Straight Plug: PM-EBBL-2105-M-L600-01B(H) Angled Plug: RM-EBBL-2105-M-L600-01B(H)		
额定电流 Rated current	电源50A, 信号2A Power 50A, signal 2A	端子接线方式 Wiring connection	焊接 Soldering
额定电压 Rated voltage	600V DC	盐雾 Salt spray resistance	72H
绝缘电阻 Insulation resistance	≥100MΩ	耐电压 Withstand voltage	1000V AC
阻燃等级 Flame retardant rating	UL94V-0	机械寿命 Mechanical lifecycle	≥3000次
运行温度 Operating temperature	-40°C ~ +105°C	拔出力 Extraction force	>25N
防护等级 IP grade	对插IP67, 插座单边IP67 IP67 when mated, IP67 when only receptacle	环保 Environmental requirements	RoHS

#### 尺寸图 Dimensions



EBBL 直式插头TUV认证款  
EBBL straight plug with TUV certification



EBBL 弯式插头TUV认证款  
EBBL right plug with TUV certification

## EBBL 圆形电源插座TUV认证款

### EBBL circular power socket with TUV certification

- 额定电压: 600V DC
- 额定电流: 电源50A, 信号2A
- 阳台储能电池接口
- 快速直插拔连接
- Rated voltage: 600V DC
- Rated current: Power 50A, signal 2A
- Balcony energy storage battery interface connection
- Fast connection

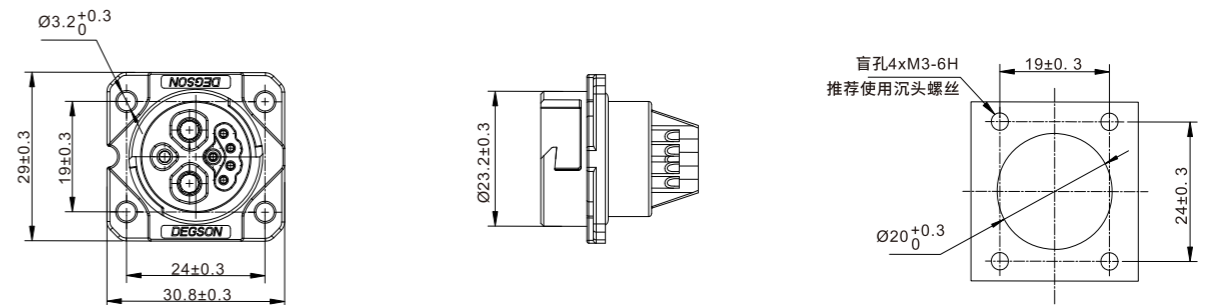


EBBL 圆形电源插座TUV认证款  
EBBL circular power socket with TUV certification

#### 技术数据 Technical Data

订货号 Order NO.	SA-EBBL-2105-F-01B(H)		
额定电流 Rated current	电源50A, 信号2A Power 50A, signal 2A	端子接线方式 Wiring connection	焊接 Soldering
额定电压 Rated voltage	600V DC	盐雾 Salt spray resistance	72H
绝缘电阻 Insulation resistance	≥100MΩ	耐电压 Withstand voltage	1000V AC
阻燃等级 Flame retardant rating	UL94V-0	机械寿命 Mechanical lifecycle	≥3000次
运行温度 Operating temperature	-40°C ~ +105°C	拔出力 Extraction force	>25N
防护等级 IP grade	对插IP67, 插座单边IP67 IP67 when mated, IP67 when only receptacle	环保 Environmental requirements	RoHS

#### 尺寸图 Dimensions



## EBBH 120A电源插头

### EBBH 120A power plug

- 额定电压: 630V DC
- 额定电流: 电源120A, 信号2A
- 移动储能电池接口
- 快速直插拔连接
- Rated voltage: 630V DC
- Rated current: Power 120A, signal 2A
- Mobile energy storage battery interface connection
- Fast connection

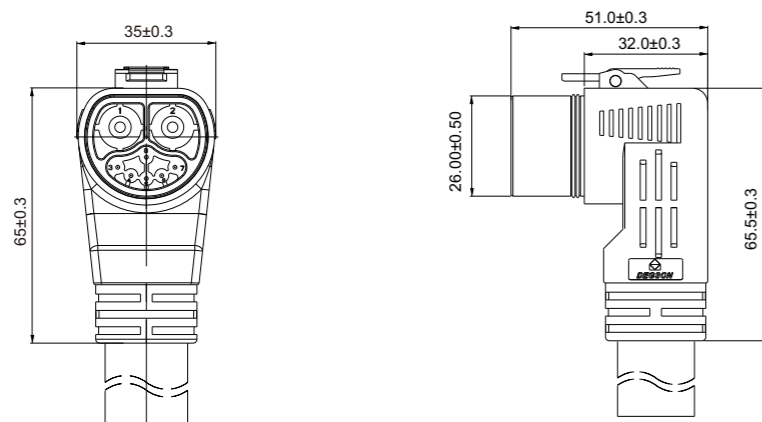


EBBH 120A弯式插头  
EBBH 120A Right Angle Plug

#### 技术数据 Technical Data

订货号 Order NO.	RM-EBBH-2006-M-L1000-00A(H)		
额定电流 Rated current	电源120A, 信号2A Power 120A, signal 2A	端子接线方式 Wiring connection	焊接, 压接 Soldering, Crimping
额定电压 Rated voltage	630V DC	盐雾 Salt spray resistance	72H
绝缘电阻 Insulation resistance	≥100MΩ	耐电压 Withstand voltage	1500V AC
阻燃等级 Flame retardant rating	UL94V-0	机械寿命 Mechanical lifecycle	≥3000次
运行温度 Operating temperature	-40°C ~ +105°C	拔出力 Extraction force	>50N
防护等级 IP grade	对插IP67, 插座单边IP67 IP67 when mated & receptacle side	环保 Environmental requirements	RoHS

#### 尺寸图 Dimensions



EBBH 120A电源插头  
EBBH 120A power plug

## EBBH 120A电源插座

### EBBH 120A power socket

- 额定电压: 630V DC
- 额定电流: 电源120A, 信号2A
- 移动储能电池接口
- 快速直插拔连接
- Rated voltage: 630V DC
- Rated current: Power 120A, signal 2A
- Mobile energy storage battery interface connection
- Fast connection

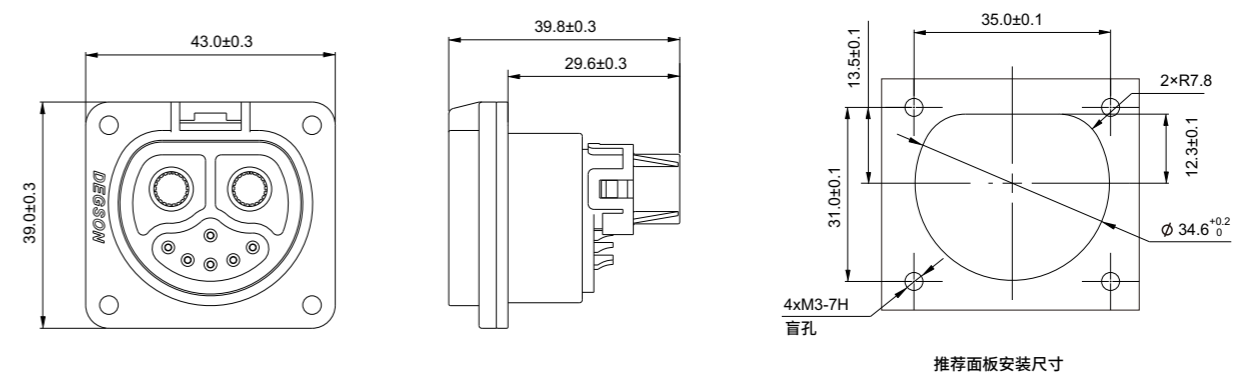


EBBH 120A电源插座  
EBBH 120A Power Socket

#### 技术数据 Technical Data

订货号 Order NO.	SA-EBBH-2006-F-00A(H)		
额定电流 Rated current	电源120A, 信号2A Power 120A, signal 2A	端子接线方式 Wiring connection	焊接, 压接 Soldering, Crimping
额定电压 Rated voltage	630V DC	盐雾 Salt spray resistance	72H
绝缘电阻 Insulation resistance	≥100MΩ	耐电压 Withstand voltage	1500V AC
阻燃等级 Flame retardant rating	UL94V-0	机械寿命 Mechanical lifecycle	≥3000次
运行温度 Operating temperature	-40°C ~ +105°C	拔出力 Extraction force	>50N
防护等级 IP grade	对插IP67, 插座单边IP67 IP67 when mated & receptacle side	环保 Environmental requirements	RoHS

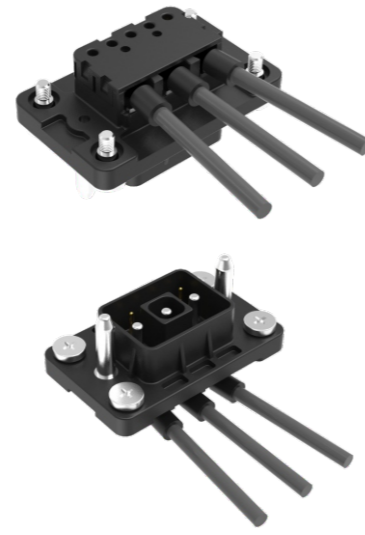
#### 尺寸图 Dimensions



EBBH 120A电源插座  
EBBH 120A power socket

## EBBF公端连接器 EBBF male connector

- 额定电压: 72V DC
- 额定电流: 电源60A, 信号5A
- 移动储能电池接口
- Rated voltage: 72V DC
- Rated current: Power 60A, signal 2A
- Mobile energy storage battery interface connection

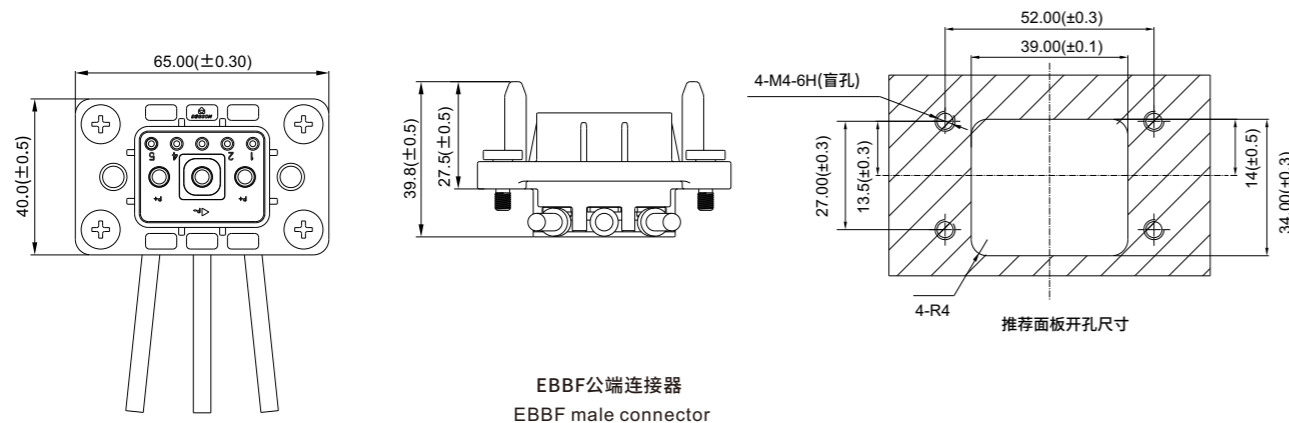


EBBF 公端连接器  
EBBF male connector

### 技术数据 Technical Data

订货号 Order NO.	SA-EBBF-3005-M-L300-00A(H)		
额定电流 Rated current	电源60A, 信号5A Power 60A, signal 5A	端子接线方式 Wiring connection	焊接 Soldering
额定电压 Rated voltage	72V DC	盐雾 Salt spray resistance	72H
绝缘电阻 Insulation resistance	≥500MΩ	耐电压 Withstand voltage	1500V AC
阻燃等级 Flame retardant rating	UL94V-0	机械寿命 Mechanical lifecycle	≥5000次
运行温度 Operating temperature	-40°C ~ +105°C	拔出力 Extraction force	>50N
防护等级 IP grade	插座单边IP67 IP67 when only receptacle	环保 Environmental requirements	RoHS

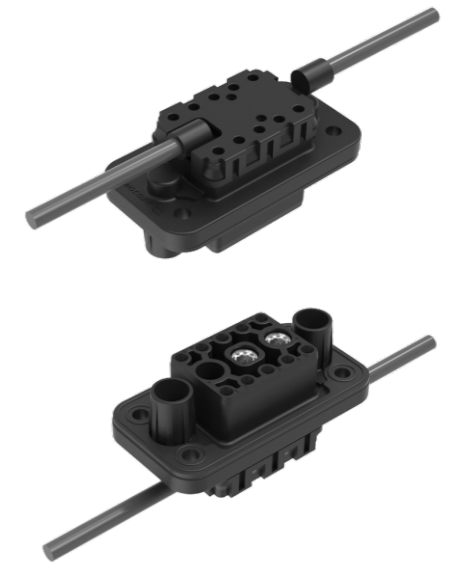
### 尺寸图 Dimensions



EBBF公端连接器  
EBBF male connector

## EBBF母端连接器 EBBF female connector

- 额定电压: 72V DC
- 额定电流: 电源60A, 信号5A
- 移动储能电池接口
- Rated voltage: 72V DC
- Rated current: Power 60A, signal 2A
- Mobile energy storage battery interface connection

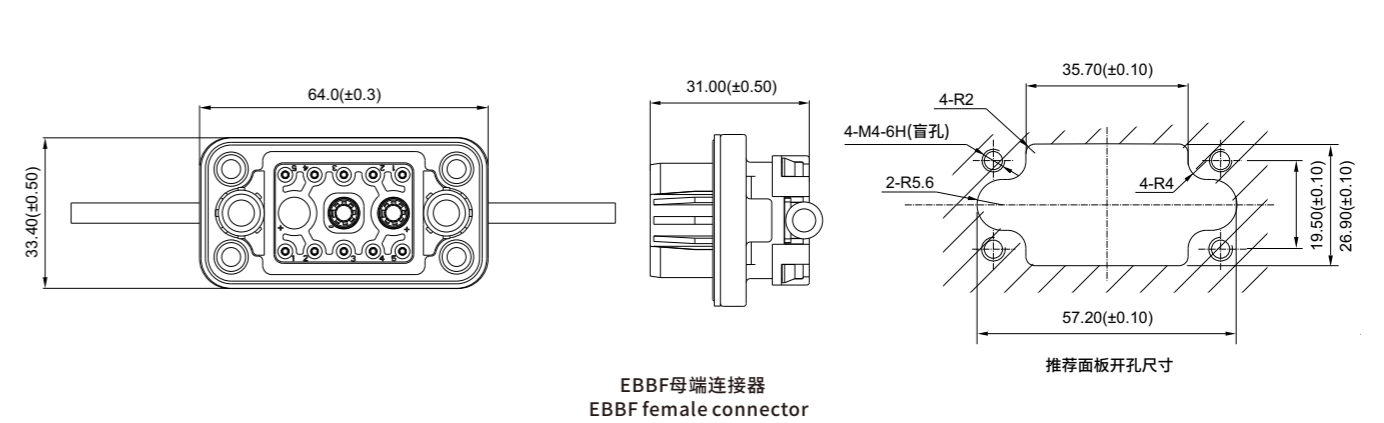


EBBF 母端连接器  
EBBF female connector

### 技术数据 Technical Data

订货号 Order NO.	RA-EBBF-2010-F-L300-00A(H)		
额定电流 Rated current	电源60A, 信号5A Power 60A, signal 5A	端子接线方式 Wiring connection	焊接 Soldering
额定电压 Rated voltage	72V DC	盐雾 Salt spray resistance	72H
绝缘电阻 Insulation resistance	≥500MΩ	耐电压 Withstand voltage	1500V AC
阻燃等级 Flame retardant rating	UL94V-0	机械寿命 Mechanical lifecycle	≥5000次
运行温度 Operating temperature	-40°C ~ +105°C	拔出力 Extraction force	>50N
防护等级 IP grade	插座单边IP67 IP67 when only receptacle	环保 Environmental requirements	RoHS

### 尺寸图 Dimensions



EBBF母端连接器  
EBBF female connector



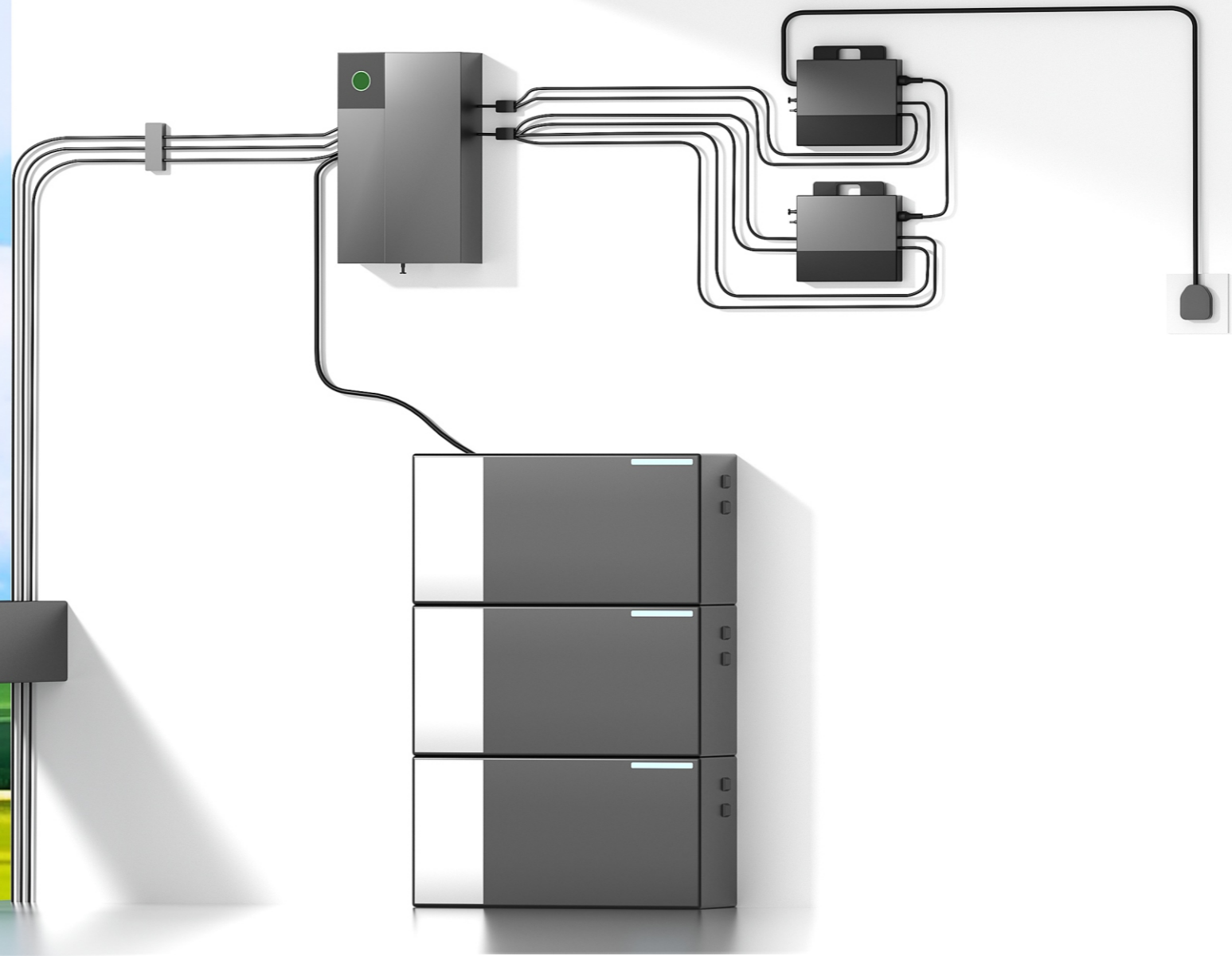
### 微型逆变器连接解决方案 Micro Inverter connector solution

微型逆变器: 功率在1000W以内的小型光伏发电逆变器, 因其安全、智能、组件级MPPT高效控制, 外形小巧紧凑, 可DIY绿电微电网, 在欧、美、澳地区深受欢迎。

DEGSON为微型逆变器交直流接口提供整体连接解决方案。

Microinverters: Small photovoltaic inverters with a power output of less than 1000W are popular in Europe, the US, and Australia for their safety, intelligence, module-level MPPT high-efficiency control, compact size, and DIY green microgrid configuration.

DEGSON provides a comprehensive connection solution for the AC/DC interface of microinverters.



#### 直接输入接口 DC input interface

- 直流侧  
 ✓ PV-DC连接器  
 ✓ 电压:1500V 电流40A
- DC side  
 ✓ PV-DC connectors  
 ✓ Voltage:1500V Current:40A



#### 电池接口 Battery side

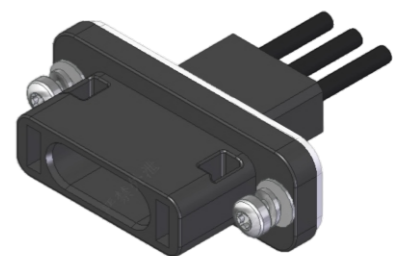
- 电池侧  
 ✓ EBBL系列  
 ✓ 电压:600V 电流50A
- Battery side  
 ✓ EBBL series  
 ✓ Voltage: 600V Current: 50A

产品信息详见P27页  
Ref to page 27



#### 交流输出接口 AC output interface

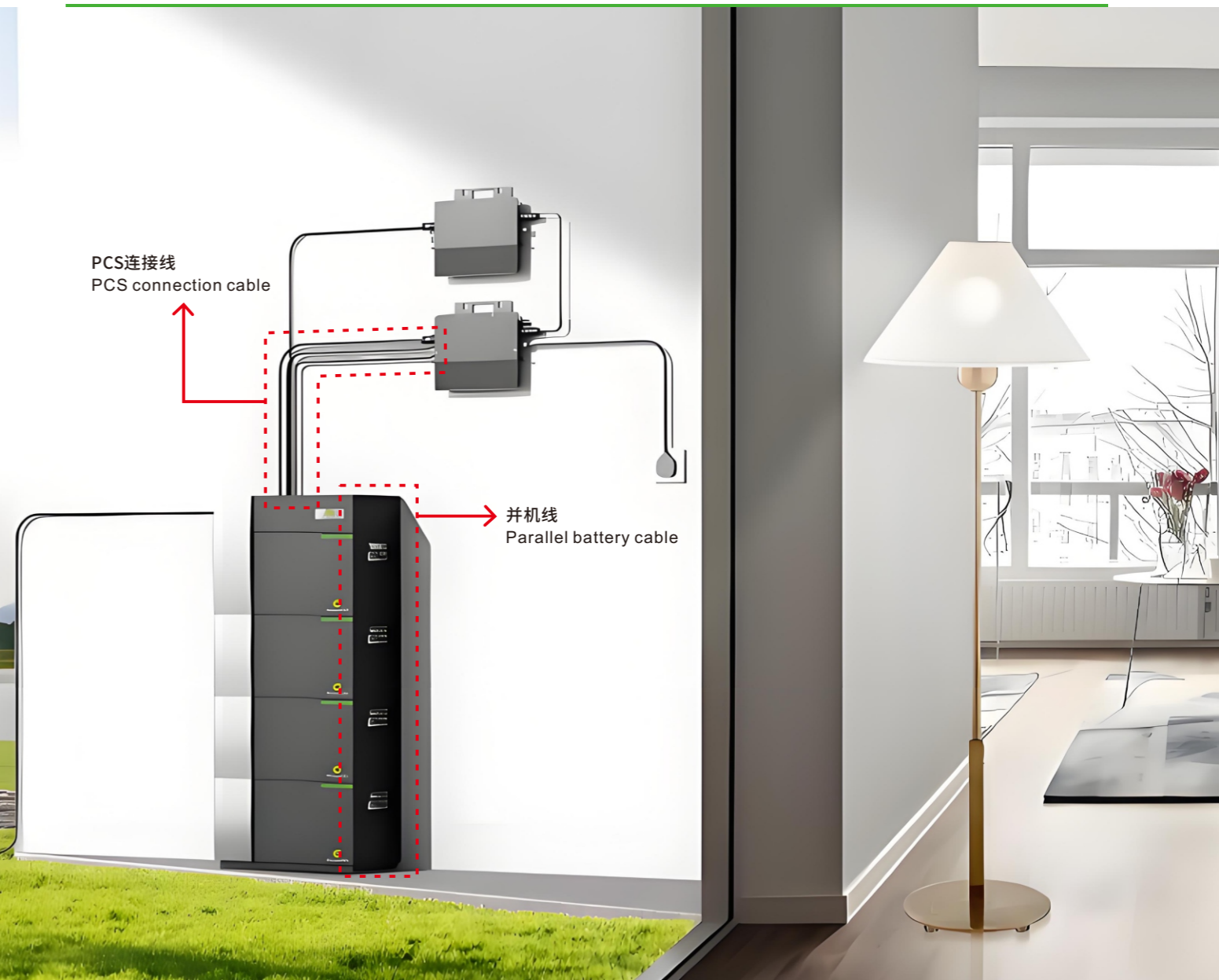
- 交流侧  
 ✓ PV-AC连接器  
 ✓ 电压:1500V 电流6A
- AC side  
 ✓ PV-AC connectors  
 ✓ Voltage: 1500V Current: 6A



## 阳台储能连接解决方案 Balcony energy storage connector solution

阳台储能系统由光伏组件、储能电池、微型逆变器构成。将光能转换为直流电，并由储能电池将电能进行存储。DEGSON为阳台储能提供光伏、电池、逆变器等连接器件，适配家庭用电需求。

The balcony energy storage system consists of photovoltaic modules, energy storage batteries, and micro-inverters. It converts light energy into direct current and stores the electrical energy in the energy storage batteries. DEGSON provides connecting components such as photovoltaic modules, batteries, and inverters for balcony energy storage, which are suitable for household electricity needs.



### 产品推荐 Recommendation



EBBL 弯式插头  
EBBL Angled Plug

额定电压/电流 Rated voltage/current	防护等级 Protection level	插拔次数 Insertion/withdrawal cycles	温度范围 Temperature range	阻燃等级 Flame retardant rating
600V/50A	Ip67	3000	40°C ~ +105°C	UL94V-0



EBBL 插座  
EBBL Socket



EBBRA 插头  
EBBRA Plug

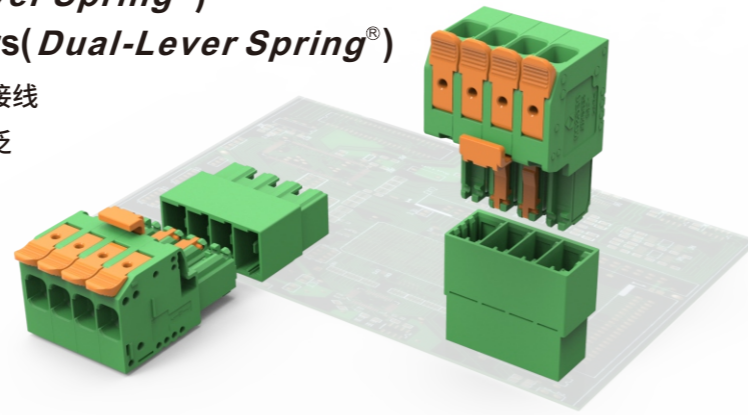
额定电压/电流 Rated voltage/current	防护等级 Protection level	插拔次数 Insertion/withdrawal cycles	温度范围 Temperature range	阻燃等级 Flame retardant rating
600V/50A	Ip65	3000	40°C ~ +105°C	UL94V-0



EBBRA 插座  
EBBRA Socket

## 大功率连接-免工具式连接器( Dual-Lever Spring®) Power Connectors- Tool-free connectors( Dual-Lever Spring®)

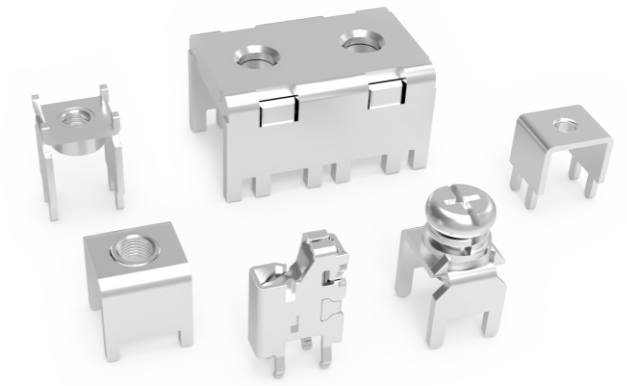
- ✔ 舒适省力的操作杆直插技术, 可实现免工具、快速接线
- ✔ 插拔式和固定式结构, 支持两种进线角度, 应用广泛
- ✔ 独立测试孔设计, 具备带电测试功能
- ✔ Comfortable and labor-saving Dual-Lever Spring technology, fast wiring and tool free
- ✔ Pluggable and PCB type, support two wiring angles, wide application
- ✔ Independent test holes available, quick and convenient testing



图片 Picture	产品系列 Product serie	说明 Description	位数(P) Poles(P)	针距(mm) Pitch(mm)	电流(A) Rated current(A)	电压(V) Rated voltage(V)	连接方向 Connection direction	连接方式 Connection method	认证 Certification
	DG2204R-5.0	/	1-12	5.0	32 IEC 20 UL (B) 10 UL (D)	400 IEC 300 UL (B) 300 UL (D)	0°	直插式 弹簧连接 Push-in	VDE、UL
	DG2204V-5.0	/	1-12	5.0	32 IEC 20 UL (B) 10 UL (D)	400 IEC 300 UL (B) 300 UL (D)	90°	直插式 弹簧连接 Push-in	VDE、UL
	DG2204S-5.0	/	1-12	5.0	32 IEC 20 UL (B) 20 UL (D)	1000 IEC 300 UL (B) 300 UL (D)	45°	直插式 弹簧连接 Push-in	VDE、UL
	DG2206R-7.5	可提供带Z形针脚的型号, 适用于600 V UL场合 With Z-shaped pin for 600V UL applications	1-12	7.5	41 IEC 41 UL (B) 41 UL (C) 5 UL (D)	1000 IEC 600 UL (B) 600 UL (C) 600 UL (D)	0°	直插式 弹簧连接 Push-in	VDE、UL
	DG2206V-7.5	可提供带Z形针脚的型号, 适用于600 V UL场合 With Z-shaped pin for 600V UL applications	1-12	7.5	41 IEC 41 UL (B) 41 UL (C) 5 UL (D)	1000 IEC 600 UL (B) 600 UL (C) 600 UL (D)	90°	直插式 弹簧连接 Push-in	VDE、UL
	DG2206S-7.5	可提供带Z形针脚的型号, 适用于600 V UL场合 With Z-shaped pin for 600V UL applications	1-12	7.5	41 IEC 41 UL (B) 41 UL (C) 5 UL (D)	1000 IEC 600 UL (B) 600 UL (C) 600 UL (D)	45°	直插式 弹簧连接 Push-in	UL
	DG2216R-10.0 DG2216R-15.0	可提供带Z形针脚的型号, 适用于600 V UL场合 With Z-shaped pin for 600V UL applications	2-12	16.0	76 IEC 66 UL (B) 66 UL (C) 10 UL (D)	600 IEC 300 UL (B) 150 UL (C) 300 UL (D)	0°	直插式 弹簧连接 Push-in	VDE、UL
	DG2216V-10.0	可提供带Z形针脚的型号, 适用于600 V UL场合 With Z-shaped pin for 600V UL applications	1-12	10.0	76 IEC 66 UL (B) 66 UL (C) 10 UL (D)	400 IEC 300 UL (B) 150 UL (C) 300 UL (D)	90°	直插式 弹簧连接 Push-in	VDE、UL
	DG2216S-10.0 DG2216S-15.0	/	2-12	10.0 15.0	76 IEC 66 UL (B) 66 UL (C)	400 IEC 300 UL (B) 150 UL (C)	45°	直插式 弹簧连接 Push-in	UL
	5EDGKDL-7.62	/	2-12	7.62	41 IEC 42 UL (B, C)	1000 IEC 600 UL (B, C)	0°	直插式 弹簧连接 Push-in	UL
	5EDGKDLR-7.62	/	2-12	7.62	41 IEC 42 UL (B, C)	1000 IEC 600 UL (B, C)	0°	直插式 弹簧连接 Push-in	VDE
	5EDGRL-7.62 5EDGVL-7.62	/	2-12	7.62	41 IEC 42 UL (B, C) 5 UL (D)	630 IEC 300 UL (B, C) 600 UL (D)	0° 90°	波峰焊 Wave soldering	UL
	5BDG-7.62	穿板式面板框架 Bulkhead panel frame	2-12	7.62	/	/	0°	卡板固定 Clamping plate	/

## K系列独立零件 K series matel parts

- 适用于装置内部配线, 成本控制更优异
- 电流可达350A, 适应多种场合
- 多种成型工艺加持, 满足不同扭力与盐雾要求
- Suitable for internal wiring of devices, with better cost control
- The current can reach 350A, suitable for various applications
- Multiple processing techniques to meet different torque and salt spray requirements



图片 Picture	产品系列 Product serie	说明 Description	材质 Material	电流(A) Rated current(A)	螺母规格 Nut specification	扭力 Torsion	规格尺寸 Specification and size
	K14-00A(H)	抽牙螺母 Extraction nu	黄铜 Brass	15	M3.5	0.8 N·m	
	K31-00A(H)	抽牙螺母 Extraction nu	黄铜 Brass	40	M4	1.2 N·m	
	K128-00A(H)	一体成型螺母 One-piece formed nut	黄铜 Brass	40	M4	1.2 N·m	
	K145-00A(H)	一体成型螺母 One-piece formed nut	黄铜 Brass	50	M4	1.5 N·m	
	K51-00A(H)	抽牙螺母 Extraction nu	黄铜 Brass	92	M5	2.0 N·m	
	K146-00A(H)	铆接螺母 Riveted nu	紫铜 Red copper	110	M6	2.75 N·m	
	K147-00A(H)	铆接螺母 Riveted nu	紫铜 Red copper	110	M6	2.75 N·m	
	K36-00A(H)	抽牙螺母 Extraction nu	紫铜 Red copper	115	M6	1.8 N·m	
	K41-00A(H)	铆接螺母 Riveted nu	紫铜 Red copper	250	M6	1.98 N·m	
	K136-00A(H)	一体成型螺母 One-piece formed nut	紫铜 Red copper	350	M6	4.5 N·m	
	K115-00A(H)	铆接螺母 Riveted nu	黄铜 Brass	63	M4	1.8 N·m	



## 储能前言

在“双碳”目标驱动下，全球储能产业加速发展，高电压、大容量、长寿命成为储能系统的核心需求。然而，传统连接器在极端环境（-40℃~85℃）、高电流循环（200A+）等场景下防护等级低，严重威胁系统安全，升级高性能连接器势在必行。DEGSON推出全场景储能连接器解决方案，我们提供：

- ◎ ES高防护连接器：针对模块化储能电池系统推出50A~450A系列高防护储能连接器，主要应用在液冷储能设备上确保储能系统安全稳定运行。
- ◎ ET高防护通讯信号连接器：产品常用在储能系统中，在各设备间起到通讯连接功能。
- ◎ MSD：维修设备时断开此开关，可快速分离高压电路的连接，避免触电风险。

DEGSON储能连接器产品系列，致力于安全零妥协，通过UL/TUV等认证；满足高温，高海拔，高盐雾等恶劣环境，持续提供储能系统安全稳定运行。



液冷储能  
Liquid Cooling ESS



风冷储能  
Air Cooling ESS



阳能储能  
Balcony ESS



移动储能  
Mobile ESS



基站储能  
Base station ESS



浸没式储能  
Immersion ESS

## 储能产品索引 Energy Storage Product Index

ES-高防护系列1500V DC ES-High Protection Series 1500V DC		50A	70A	100A	120A	150A	200A	250A	300A	350A	400A	450A
标准单芯 Standard single core		✓	✓	✓	✓	✓	✓	✓	✓	✓	✓	✓
单芯短款 Single core short					✓		✓	✓				
单芯直头 Single core straight head					✓				✓			

EG-低防护系列 EG-Low Protection Series		120A	250A	300A	450A	600A
120A/250A/450A 接线柱 Conductive pillar; 300A/600A 接铜排 copper busbars		✓	✓	✓	✓	✓

高防护通讯系列 High Protection Communication Connector		ET-8芯 ET-8 Pins	ET-12芯 ET-12 Pins	ET-24芯 ET-24 Pins	RJ-通讯(卡扣) RJ-Communication (Snap-in)	RJ-通讯(螺纹) RJ-Communication (Thread)
ET系列 ET Series: 300V, 5A RJ(卡扣 Snap-in): 30V, 1A RJ(螺纹 Thread): 125V, 1.5A		✓	✓	✓	✓	✓

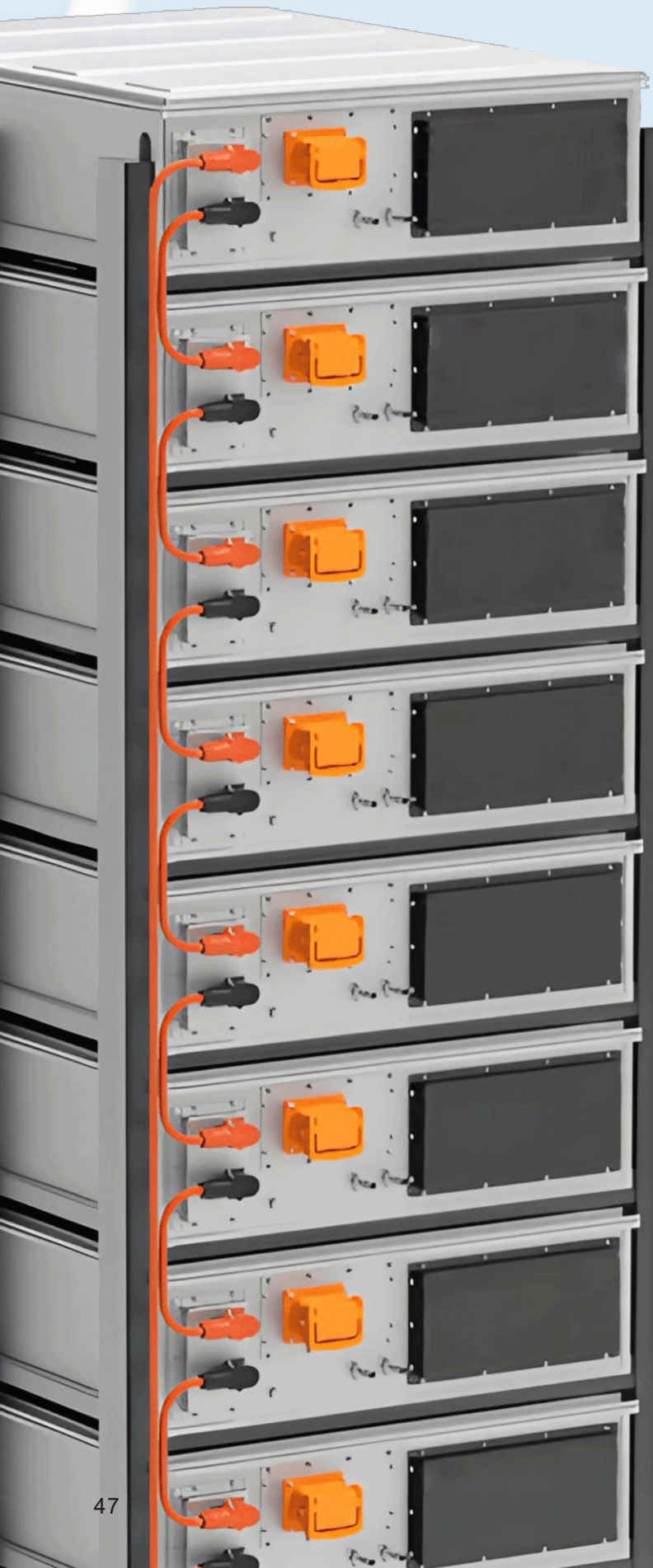
软铜排连接器系列 Flexible Copper Busbar Series		400A	450A
1500V DC		✓	✓

MSD/FMSD系列 MSD/FMSD Series		200A	350A
1500V DC 标准款 Standard model: 350A; 熔断器规格 Fuse specification: 500A; 500V		✓	✓

多触点铜排系列 Multi Contact Busbar Connector		焊接 Solder	锁螺丝 Screw
480V DC; 150A		✓	✓

微储系列 Mirco-ESS		旋扣系列 Twist release series	提手系列 Pull-lever series	浮插系列 Floating board to board stack series	压板式系列 Latch release series
50A~120A		✓	✓	✓	✓





### ES-高防护系列 ESS High Protection Connector

- ✔ 电流覆盖50A~450A,可提供完整高防护方案
- ✔ 快速解锁,使用方便
- ✔ Current coverage ranges from 50A to 450A, providing a complete high-protection solution
- ✔ Quick unlock, easy to use

### ET-高防护通讯信号连接器 ET - High Protection Communication Connector

- ✔ 5A, 300V, 8~24芯,多种规格
- ✔ 二次锁设计,防止误拔出
- ✔ 每种芯数有2套产品,可提供防呆方案
- ✔ 5A, 300V, 8~24 pins, various specifications
- ✔ Secondary lock design to prevent accidental removal
- ✔ There are 2 sets of products for each number of cores, and foolproof solutions can be provided

### 手动维护开关 MSD/FMSD

- ✔ 二次锁结构,防止误解锁,提高电气连接安全性与可靠性
- ✔ 高压互锁设计实现回路检测,防止断开产生高压拉弧
- ✔ 熔断器规格可选,电压500V DC,最大电流630A
- ✔ Secondary lock structure prevents mis-locking and improves electrical connection safety and reliability
- ✔ High-voltage interlock design realizes loop detection to prevent disconnection and high-voltage arcing
- ✔ Fuse specifications are optional, voltage 500V DC, maximum current 630A

## 储能产品概述 Energy Storage Product Overview



**ES-高防护系列**  
50A~450A  
常用于液冷储能系统

**ESS High Protection Connector**  
50A~450A  
Commonly used in liquid-cooling energy storage systems



**EG-低防护系列**  
120A~600A  
用于低防护要求的风冷储能系统

**EG-Low Protection Connector**  
120A~600A  
Commonly used in cooling energy storage systems with low protection requirements



**高防护通讯系列**  
8/12/24 Pins,防水RJ45用于储能系统各设备间,起到通讯连接功能

**High Protection Communication Connector**  
8/12/24pins : Waterproof RJ45 Commonly used between various devices in energy storage systems to provide communication connections



**软铜排连接器**  
400A/450A  
采用柔性导体代替传统导线  
适用于更紧凑的空间,载流更稳定,布线更美观

**Flexible Copper Busbar Series**  
400A/450A;  
High capacity battery cell connection method making installation more convenient and Wiring is much clean



**手动维护开关 (MSD/FMSD)**  
350A/500A  
用于高压储能系统,起短路保护作用

**MSD/FMSD**  
350A/500A  
Commonly used in high-voltage energy storage systems. Serves as short-circuit protection



**多触点铜排**  
150A  
大电流,小能耗;常用于PDU,BMS

**Multi Contact Busbar Connector**  
150A  
High current, low energy consumption; commonly used in PDU, BMS



**EBBL系列**  
20A-50A  
用于便携式储能电源,移动储能站

**EBBL Series**  
20A~50A  
Commonly used in portable energy storage power supplies, mobile energy storage stations



**EBBRA系列**  
50A  
用于阳台储能系统锂电池之间的并机线,提供充电,放电以及通讯连接功能。

**EBBRA Series**  
50A  
Commonly used for parallel lines between lithium batteries in balcony energy storage systems, providing charging, discharging and communication connection functions.



**线束定制**  
提供定制化线束服务

**Wire harness customization**  
Provide customized wire harness services

## ES-50A单芯大电流 ES-50A

- 额定电压: 1000V
- 额定电流: 50A
- Rated voltage: 1000V
- Rated current: 50A



### 技术数据 Technical Data



插头类型 Plug type: ESP-50A			
插入力 Insertion force	65N MAX	O形圈材料 Material of O-ring	硅胶 Silicon
拔出力 Withdrawal force	10N≤X≤65N	机械寿命 Mechanical lifecycle	>100
额定电压 Rated voltage	1000V	电缆外径 External cable diameter	4.9-6.0mm
额定电流 Rated current	50A	电缆截面积 Cross section	6mm <sup>2</sup>
接触电阻 Contact resistance	<0.5mΩ	电缆剥线长度 Stripping length	7-8mm
绝缘电阻 Insulation resistance	>5000MΩ	接线方式 Connection method	压接 Crimp
颜色 Color	橙色/黑色/红色 Orange/Black/Red	防护等级(对插) Degree of protection	IP67 (1m,30min)
接触件材料 Material of contact	铜合金 Copper alloy	运行温度 Operating temperature	-40°C+125°C
绝缘材料 Insulation material	PA	阻燃等级, 符合UL94 Flammability rating according to UL 94	V0
夹紧圈材料 Material of seal	硅胶 Silicon	认证 Certification	UL4128 and TUV2PFG2740
插座类型 Socket type: ESS-50A			
接线方式 Connection method	铜排、压接、螺钉、铜排/螺纹 Busbar, Crimp, Screw, Threaded Busbar	安装螺母紧固扭矩 Layout torque	M4/0.4-0.7N.m

### 产品订购信息 Ordering information

产品系列 Product series	产品类型 Type	额定电流 Rated current	电缆尺寸 Cross section of wire	尾端接线方式 Connection method	颜色 Color	系列号 Series	产品型号 Product model	
ES	P 插头 Plug	50A	06 6mm <sup>2</sup>	/	BK 黑色 Black	00 标准品 Standard	ESP-50A-06-BK-00	
					OR 橙色 Orange		ESP-50A-06-OR-00	
					RD 红色 Red		ESP-50A-06-RD-00	
	S 插座 Socket	B 铜排 Busbar	50A	06 6mm <sup>2</sup>	B	BK 黑色 Black	00 标准品 Standard	ESS-50A-06-B-BK-00
						OR 橙色 Orange		ESS-50A-06-B-OR-00
						RD 红色 Red		ESS-50A-06-B-RD-00
		S 螺钉 Screw	BK 黑色 Black	00 标准品 Standard	ESS-50A-06-S-BK-00			
			OR 橙色 Orange		ESS-50A-06-S-OR-00			
			RD 红色 Red		ESS-50A-06-S-RD-00			
		C 压接 Crimp	BK 黑色 Black	00 标准品 Standard	ESS-50A-06-C-BK-00			
			OR 橙色 Orange		ESS-50A-06-C-OR-00			
			RD 红色 Red		ESS-50A-06-C-RD-00			
B/S 铜排/ 螺纹孔 Busbar/ Screw		BK 黑色 Black	00 标准品 Standard	ESS-50A-06-B/S-BK-00				
		OR 橙色 Orange		ESS-50A-06-B/S-OR-00				
		RD 红色 Red		ESS-50A-06-B/S-RD-00				

## ES-70A单芯大电流 ES-70A

- 额定电压: 1000V
- 额定电流: 70A
- Rated voltage: 1000V
- Rated current: 70A



### 技术数据 Technical Data



插头类型 Plug type: ESP-70A			
插入力 Insertion force	65N MAX	O形圈材料 Material of O-ring	硅胶 Silicon
拔出力 Withdrawal force	10N≤X≤65N	机械寿命 Mechanical lifecycle	>100
额定电压 Rated voltage	1000V	电缆外径 External cable diameter	6.5-7.5mm
额定电流 Rated current	70A	电缆截面积 Cross section	10mm <sup>2</sup>
接触电阻 Contact resistance	<0.5mΩ	电缆剥线长度 Stripping length	7-8mm
绝缘电阻 Insulation resistance	>5000MΩ	接线方式 Connection method	压接 Crimp
颜色 Color	橙色/黑色/红色 Orange/Black/Red	防护等级(对插) Degree of protection	IP67 (1m,30min)
接触件材料 Material of contact	铜合金 Copper alloy	运行温度 Operating temperature	-40°C+125°C
绝缘材料 Insulation material	PA	阻燃等级, 符合UL94 Flammability rating according to UL 94	V0
夹紧圈材料 Material of seal	硅胶 Silicon	认证 Certification	UL4128 and TUV2PFG2740
插座类型 Socket type: ESS-70A			
接线方式 Connection method	铜排、压接、螺钉、铜排/螺纹 Busbar, Crimp, Screw, Threaded Busbar	安装螺母紧固扭矩 Layout torque	M4/0.4-0.7N.m

### 产品订购信息 Ordering information

产品系列 Product series	产品类型 Type	额定电流 Rated current	电缆尺寸 Cross section of wire	尾端接线方式 Connection method	颜色 Color	系列号 Series	产品型号 Product model	
ES	P 插头 Plug	70A	10 10mm <sup>2</sup>	/	BK 黑色 Black	00 标准品 Standard	ESP-70A-10-BK-00	
					OR 橙色 Orange		ESP-70A-10-OR-00	
					RD 红色 Red		ESP-70A-10-RD-00	
	S 插座 Socket	B 铜排 Busbar	70A	10 10mm <sup>2</sup>	B	BK 黑色 Black	00 标准品 Standard	ESS-70A-10-B-BK-00
						OR 橙色 Orange		ESS-70A-10-B-OR-00
						RD 红色 Red		ESS-70A-10-B-RD-00
		S 螺钉 Screw	BK 黑色 Black	00 标准品 Standard	ESS-70A-10-S-BK-00			
			OR 橙色 Orange		ESS-70A-10-S-OR-00			
			RD 红色 Red		ESS-70A-10-S-RD-00			
		C 压接 Crimp	BK 黑色 Black	00 标准品 Standard	ESS-70A-10-C-BK-00			
			OR 橙色 Orange		ESS-70A-10-C-OR-00			
			RD 红色 Red		ESS-70A-10-C-RD-00			
B/S 铜排/ 螺纹孔 Busbar/ Screw		BK 黑色 Black	00 标准品 Standard	ESS-70A-10-B/S-BK-00				
		OR 橙色 Orange		ESS-70A-10-B/S-OR-00				
		RD 红色 Red		ESS-70A-10-B/S-RD-00				

## ES-100A 单芯大电流 ES-100A

- 额定电压: 1500V
- 额定电流: 100A
- Rated voltage: 1500V
- Rated current: 100A



### 技术数据 Technical Data



插头类型 Plug type: ESP-100A			
插入力 Insertion force	60N MAX	O形圈材料 Material of O-ring	硅胶 Silicon
拔出力 Withdrawal force	10N≤X≤60N	机械寿命 Mechanical lifecycle	>100
额定电压 Rated voltage	1500V	电缆外径 External cable diameter	7.5-9mm
额定电流 Rated current	100A	电缆截面积 Cross section	16mm <sup>2</sup>
接触电阻 Contact resistance	<0.5mΩ	电缆剥线长度 Stripping length	13-14mm
绝缘电阻 Insulation resistance	>5000MΩ	接线方式 Connection method	压接 Crimp
颜色 Color	橙色/黑色/红色 Orange/Black/Red	防护等级 (对插) Degree of protection	IP67 (1m,30min)
接触件材料 Material of contact	铜合金 Copper alloy	运行温度 Operating temperature	-40°C+125°C
绝缘材料 Insulation material	PA	阻燃等级, 符合UL94 Flammability rating according to UL 94	V0
夹紧圈材料 Material of seal	硅胶 Silicon	认证 Certification	UL4128 and TUV2PFG2740
插座类型 Socket type: ESS-100A			
接线方式 Connection method	铜排、压接、螺钉、铜排/螺纹 Busbar, Crimp, Screw, Threaded Busbar	安装螺母紧固扭矩 Layout torque	M4/0.4-0.7N.m

### 产品订购信息 Ordering information

产品系列 Product series	产品类型 Type	额定电流 Rated current	电缆尺寸 Cross section of wire		尾端接线方式 Connection method	颜色 Color		系列号 Series	产品型号 Product model		
ES	P 插头 Plug	100A	16	16mm <sup>2</sup>	/	BK	黑色 Black	00	标准品 Standard	ESP-100A-16-BK-00	
						OR	橙色 Orange			ESP-100A-16-OR-00	
						RD	红色 Red			ESP-100A-16-RD-00	
	S 插座 Socket	B 铜排 Busbar	100A	16	16mm <sup>2</sup>	B	BK	黑色 Black	00	标准品 Standard	ESS-100A-16-B-BK-00
							OR	橙色 Orange			ESS-100A-16-B-OR-00
							RD	红色 Red			ESS-100A-16-B-RD-00
							BK	黑色 Black			ESS-100A-16-S-BK-00
							OR	橙色 Orange			ESS-100A-16-S-OR-00
							RD	红色 Red			ESS-100A-16-S-RD-00
		S 螺钉 Screw	100A	16	16mm <sup>2</sup>	S	BK	黑色 Black	00	标准品 Standard	ESS-100A-16-S-BK-00
							OR	橙色 Orange			ESS-100A-16-S-OR-00
							RD	红色 Red			ESS-100A-16-S-RD-00
BK							黑色 Black	ESS-100A-16-C-BK-00			
OR							橙色 Orange	ESS-100A-16-C-OR-00			
RD							红色 Red	ESS-100A-16-C-RD-00			
C 压接 Crimp	100A	16	16mm <sup>2</sup>	C	BK	黑色 Black	00	标准品 Standard	ESS-100A-16-C-BK-00		
					OR	橙色 Orange			ESS-100A-16-C-OR-00		
					RD	红色 Red			ESS-100A-16-C-RD-00		
					BK	黑色 Black			ESS-100A-16-B/S-BK-00		
					OR	橙色 Orange			ESS-100A-16-B/S-OR-00		
					RD	红色 Red			ESS-100A-16-B/S-RD-00		

## ES-120A 单芯大电流 (直头) ES-120A (Straight)

- 额定电压: 1000V
- 额定电流: 120A
- 可兼容70A线缆, 符合IP67
- Rated voltage: 1000V
- Rated current: 120A
- Compatible with 70A cables and IP67 compliant



### 技术数据 Technical Data



插头类型 Plug type: ESP-120A (直头 Straight)			
插入力 Insertion force	60N MAX	O形圈材料 Material of O-ring	硅胶 Silicon
拔出力 Withdrawal force	10N≤X≤60N	机械寿命 Mechanical lifecycle	>100
额定电压 Rated voltage	1000V	电缆外径 External cable diameter	9-10.5mm
额定电流 Rated current	120A	电缆截面积 Cross section	16mm <sup>2</sup>
接触电阻 Contact resistance	<0.5mΩ	电缆剥线长度 Stripping length	13-14mm
绝缘电阻 Insulation resistance	>5000MΩ	接线方式 Connection method	压接 Crimp
颜色 Color	橙色/黑色/红色 Orange/Black/Red	防护等级 (对插) Degree of protection	IP67 (1m,30min)
接触件材料 Material of contact	铜合金 Copper alloy	运行温度 Operating temperature	-40°C+125°C
绝缘材料 Insulation material	PA	阻燃等级, 符合UL94 Flammability rating according to UL 94	V0
夹紧圈材料 Material of seal	硅胶 Silicon	认证 Certification	TUV 2PFG2740
插座类型 Socket type: ESS-120A			
接线方式 Connection method	铜排、压接、螺钉、铜排/螺纹 Busbar, Crimp, Screw, Threaded Busbar	安装螺母紧固扭矩 Layout torque	M4/0.4-0.7N.m

### 产品订购信息 Ordering information

产品系列 Product series	产品类型 Type	额定电流 Rated current	电缆尺寸 Cross section of wire		尾端接线方式 Connection method	颜色 Color		规格可选 Optional	产品型号 Product model	
ES	P 插头 Plug	120A	25	25mm <sup>2</sup>	/	BK	黑色 Black	弯头 Right angle 00	ESP-120A-25-BK-00(or ST)	
						OR	橙色 Orange		ESP-120A-25-OR-00(or ST)	
						RD	红色 Red		ESP-120A-25-RD-00(or ST)	
	S 插座 Socket	B 铜排 Busbar	120A	25	25mm <sup>2</sup>	B	BK	黑色 Black	安装螺孔 间距21mm Screw hole spacing 21mm 00	ESS-120A-25-B-BK-00(or 01)
							OR	橙色 Orange		ESS-120A-25-B-OR-00(or 01)
							RD	红色 Red		ESS-120A-25-B-RD-00(or 01)
							BK	黑色 Black		ESS-120A-25-S-BK-00(or 01)
							OR	橙色 Orange		ESS-120A-25-S-OR-00(or 01)
							RD	红色 Red		ESS-120A-25-S-RD-00(or 01)
		S 螺钉 Screw	120A	25	25mm <sup>2</sup>	S	BK	黑色 Black	安装螺孔 间距18mm Screw hole spacing 18mm 01	ESS-120A-25-C-BK-00(or 01)
							OR	橙色 Orange		ESS-120A-25-C-OR-00(or 01)
							RD	红色 Red		ESS-120A-25-C-RD-00(or 01)
BK							黑色 Black	ESS-120A-25-B/S-BK-00(or 01)		
OR							橙色 Orange	ESS-120A-25-B/S-OR-00(or 01)		
RD							红色 Red	ESS-120A-25-B/S-RD-00(or 01)		

## ES-120A 单芯大电流 ES-120A

- 额定电压: 1500V
- 额定电流: 120A
- Rated voltage: 1500V
- Rated current: 120A

### 技术数据 Technical Data



插头类型 Plug type: ESP-120A			
插入力 Insertion force	60N MAX	O形圈材料 Material of O-ring	硅胶 Silicon
拔出力 Withdrawal force	10N≤X≤60N	机械寿命 Mechanical lifecycle	>100
额定电压 Rated voltage	1500V	电缆外径 External cable diameter	9-10.5mm
额定电流 Rated current	120A	电缆截面积 Cross section	25mm <sup>2</sup>
接触电阻 Contact resistance	<0.5mΩ	电缆剥线长度 Stripping length	13-14mm
绝缘电阻 Insulation resistance	>5000MΩ	接线方式 Connection method	压接 Crimp
颜色 Color	橙色/黑色/红色 Orange/Black/Red	防护等级(对插) Degree of protection	IP67 (1m,30min)
接触件材料 Material of contact	铜合金 Copper alloy	运行温度 Operating temperature	-40°C+125°C
绝缘材料 Insulation material	PA	阻燃等级,符合UL94 Flammability rating according to UL 94	V0
夹紧圈材料 Material of seal	硅胶 Silicon	认证 Certification	UL4128 and TUV2PFG2740
插座类型 Socket type: ESS-120A			
接线方式 Connection method	铜排、压接、螺钉、铜排/螺纹 Busbar, Crimp, Screw, Threaded Busbar	安装螺母紧固扭矩 Layout torque	M4/0.4-0.7N.m

### 产品订购信息 Ordering information

产品系列 Product series	产品类型 Type	额定电流 Rated current	电缆尺寸 Cross section of wire		尾端接线方式 Connection method	颜色 Color	系列号 Series	产品型号 Product model		
ES	P 插头 Plug	120A	25	25mm <sup>2</sup>	/	BK 黑色 Black	弯头 Right angle	00	ESP-120A-25-BK-00(or ST)	
						OR 橙色 Orange	直头 Straight	ST	ESP-120A-25-OR-00(or ST)	
						RD 红色 Red		ST	ESP-120A-25-RD-00(or ST)	
	S 插座 Socket	B 铜排 Busbar	120A	25	25mm <sup>2</sup>	B	BK 黑色 Black	安装螺孔 间距21mm Screw hole spacing 21mm	00	ESS-120A-25-B-BK-00(or 01)
							OR 橙色 Orange			ESS-120A-25-B-OR-00(or 01)
							RD 红色 Red			ESS-120A-25-B-RD-00(or 01)
							BK 黑色 Black			ESS-120A-25-S-BK-00(or 01)
							OR 橙色 Orange			ESS-120A-25-S-OR-00(or 01)
							RD 红色 Red			ESS-120A-25-S-RD-00(or 01)
		C 压接 Crimp	BK 黑色 Black	安装螺孔 间距18mm Screw hole spacing 18mm	01	ESS-120A-25-C-BK-00(or 01)				
			OR 橙色 Orange			ESS-120A-25-C-OR-00(or 01)				
			RD 红色 Red			ESS-120A-25-C-RD-00(or 01)				
BK 黑色 Black			ESS-120A-25-B/S-BK-00(or 01)							
OR 橙色 Orange			ESS-120A-25-B/S-OR-00(or 01)							
RD 红色 Red			ESS-120A-25-B/S-RD-00(or 01)							

## ES-120A 单芯大电流 (新一代) ES-120A (New Generation)

- 额定电压: 1500V
- 额定电流: 120A
- 整体尺寸比标准款缩短13.2mm
- Rated voltage: 1500V
- Rated current: 120A
- The overall size shorten 13.2mm

### 技术数据 Technical Data



插头类型 Plug type: ESP-120A 新一代 New Generation			
插入力 Insertion force	60N MAX	O形圈材料 Material of O-ring	硅胶 Silicon
拔出力 Withdrawal force	10N≤X≤60N	机械寿命 Mechanical lifecycle	>100
额定电压 Rated voltage	1500V	电缆外径 External cable diameter	9-10.5mm
额定电流 Rated current	120A	电缆截面积 Cross section	25mm <sup>2</sup>
接触电阻 Contact resistance	<0.5mΩ	电缆剥线长度 Stripping length	13-14mm
绝缘电阻 Insulation resistance	>5000MΩ	接线方式 Connection method	压接 Crimp
颜色 Color	橙色/黑色/红色 Orange/Black/Red	防护等级(对插) Degree of protection	IP67 (1m,30min)
接触件材料 Material of contact	铜合金 Copper alloy	运行温度 Operating temperature	-40°C+125°C
绝缘材料 Insulation material	PA	阻燃等级,符合UL94 Flammability rating according to UL 94	V0
夹紧圈材料 Material of seal	硅胶 Silicon	认证 Certification	UL

### 产品订购信息 Ordering information

产品系列 Product series	产品类型 Type	额定电流 Rated current	电缆尺寸 Cross section of wire		尾端接线方式 Connection method	颜色 Color	系列号 Series	产品型号 Product model	
ES	P 插头 Plug	120A	25	25mm <sup>2</sup>	/	OR 橙色 Orange	/	ESP-120A-25-OR-00-01	
						BK 黑色 Black		ESP-120A-25-BK-00-01	
						BK 黑色 Black		ESS-120A-25-B-BK-00(or 01)	
	S 插座 Socket	B 铜排 Busbar	120A	25	25mm <sup>2</sup>	B	OR 橙色 Orange	安装螺孔 间距21mm Screw hole spacing 21mm	ESS-120A-25-B-OR-00(or 01)
							RD 红色 Red		ESS-120A-25-B-RD-00(or 01)
							BK 黑色 Black		ESS-120A-25-S-BK-00(or 01)
							OR 橙色 Orange		ESS-120A-25-S-OR-00(or 01)
							RD 红色 Red		ESS-120A-25-S-RD-00(or 01)
							BK 黑色 Black		ESS-120A-25-C-BK-00(or 01)
		C 压接 Crimp	OR 橙色 Orange	ESS-120A-25-C-OR-00(or 01)					
			RD 红色 Red	ESS-120A-25-C-RD-00(or 01)					
			BK 黑色 Black	ESS-120A-25-B/S-BK-00(or 01)					
OR 橙色 Orange			ESS-120A-25-B/S-OR-00(or 01)						
RD 红色 Red			ESS-120A-25-B/S-RD-00(or 01)						
B/S 铜排/ 螺纹孔 Busbar/ Screw			BK 黑色 Black	安装螺孔 间距18mm Screw hole spacing 18mm	01	ESS-120A-25-B/S-BK-00(or 01)			
OR 橙色 Orange	ESS-120A-25-B/S-OR-00(or 01)								
RD 红色 Red	ESS-120A-25-B/S-RD-00(or 01)								

## ES-150A 单芯大电流 ES-150A

- 额定电压: 1500V
- 额定电流: 150A
- Rated voltage: 1500V
- Rated current: 150A



### 技术数据 Technical Data



插头类型 Plug type: ESP-150A			
插入力 Insertion force	100N MAX	O形圈材料 Material of O-ring	硅胶 Silicon
拔出力 Withdrawal force	10N≤X≤100N	机械寿命 Mechanical lifecycle	>100
额定电压 Rated voltage	1500V	电缆外径 External cable diameter	11-12.5mm
额定电流 Rated current	150A	电缆截面积 Cross section	35mm <sup>2</sup>
接触电阻 Contact resistance	<0.5mΩ	电缆剥线长度 Stripping length	13-14mm
绝缘电阻 Insulation resistance	>5000MΩ	接线方式 Connection method	压接 Crimp
颜色 Color	橙色/黑色/红色 Orange/Black/Red	防护等级(对插) Degree of protection	IP67 (1m,30min)
接触件材料 Material of contact	铜合金 Copper alloy	运行温度 Operating temperature	-40°C+125°C
绝缘材料 Insulation material	PA	阻燃等级,符合UL94 Flammability rating according to UL 94	V0
夹紧圈材料 Material of seal	硅胶 Silicon	认证 Certification	UL4128 and TUV 2PFG2740
插座类型 Socket type: ESS-150A			
接线方式 Connection method	铜排、压接、螺钉、铜排/螺纹 Busbar,Crimp,Screw,Threaded Busbar	安装螺母紧固扭矩 Layout torque	M4/0.4-0.7N.m

### 产品订购信息 Ordering information

产品系列 Product series	产品类型 Type	额定电流 Rated current	电缆尺寸 Cross section of wire		尾端接线方式 Connection method	颜色 Color	防混插键位 Fool-proofing keyway		产品型号 Product model
ES	P 插头 Plug	150A	35	35mm <sup>2</sup>	/	BK 黑色 Black	18	180°	ESP-150A-35-BK-18
						OR 橙色 Orange	90	90°	ESP-150A-35-OR-90
						RD 红色 Red	90	90°	ESP-150A-35-RD-90
	S 插座 Socket	B 铜排 Busbar	BK 黑色 Black	18	180°	ESS-150A-35-B-BK-18			
			OR 橙色 Orange	90	90°	ESS-150A-35-B-OR-90			
			RD 红色 Red	90	90°	ESS-150A-35-B-RD-90			
		S 螺钉 Screw	BK 黑色 Black	18	180°	ESS-150A-35-S-BK-18			
			OR 橙色 Orange	90	90°	ESS-150A-35-S-OR-90			
			RD 红色 Red	90	90°	ESS-150A-35-S-RD-90			
		C 压接 Crimp	BK 黑色 Black	18	180°	ESS-150A-35-C-BK-18			
			OR 橙色 Orange	90	90°	ESS-150A-35-C-OR-90			
			RD 红色 Red	90	90°	ESS-150A-35-C-RD-90			
B/S 铜排/ 螺纹孔 Busbar/ Screw	BK 黑色 Black	18	180°	ESS-150A-35-B/S-BK-18					
	OR 橙色 Orange	90	90°	ESS-150A-35-B/S-OR-90					
	RD 红色 Red	90	90°	ESS-150A-35-B/S-RD-90					

## ES-200A 单芯大电流(安装防呆) ES-200A (Mistake-proofing-installation)

- 额定电压: 1500V
- 额定电流: 200A
- Rated voltage: 1500V
- Rated current: 200A



### 技术数据 Technical Data



插头类型 Plug type: ESP-200A			
插入力 Insertion force	100N MAX	O形圈材料 Material of O-ring	硅胶 Silicon
拔出力 Withdrawal force	10N≤X≤100N	机械寿命 Mechanical lifecycle	>100
额定电压 Rated voltage	1500V	电缆外径 External cable diameter	12.5-14mm
额定电流 Rated current	200A	电缆截面积 Cross section	50mm <sup>2</sup>
接触电阻 Contact resistance	<0.5mΩ	电缆剥线长度 Stripping length	13-14mm
绝缘电阻 Insulation resistance	>5000MΩ	接线方式 Connection method	压接 Crimp
颜色 Color	橙色/黑色/红色 Orange/Black/Red	防护等级(对插) Degree of protection	IP67 (1m,30min)
接触件材料 Material of contact	铜合金 Copper alloy	运行温度 Operating temperature	-40°C+125°C
绝缘材料 Insulation material	PA	阻燃等级,符合UL94 Flammability rating according to UL 94	V0
夹紧圈材料 Material of seal	硅胶 Silicon	认证 Certification	UL4128 and TUV 2PFG2740
插座类型 Socket type: ESS-200A			
接线方式 Connection method	铜排、压接、螺钉、铜排/螺纹 Busbar,Crimp,Screw,Threaded Busbar	安装螺母紧固扭矩 Layout torque	M4/0.4-0.7N.m

### 产品订购信息 Ordering information

产品系列 Product series	产品类型 Type	额定电流 Rated current	电缆尺寸 Cross section of wire		尾端接线方式 Connection method	颜色 Color	防混插键位 Fool-proofing keyway		产品型号 Product model
ES	P 插头 Plug	200A	50	50mm <sup>2</sup>	/	BK 黑色 Black	18	180°	ESP-200A-50-BK-00
						OR 橙色 Orange	90	90°	ESP-200A-50-OR-00
						RD 红色 Red	90	90°	ESP-200A-50-RD-00
	S 插座 Socket	B 铜排 Busbar	BK 黑色 Black	16	160°	ESS-200A-50-B-BK-16			
			OR 橙色 Orange	20	20°	ESS-200A-50-B-OR-20			
			RD 红色 Red	20	20°	ESS-200A-50-B-RD-20			
		S 螺钉 Screw	BK 黑色 Black	16	160°	ESS-200A-50-S-BK-16			
			OR 橙色 Orange	20	20°	ESS-200A-50-S-OR-20			
			RD 红色 Red	20	20°	ESS-200A-50-S-RD-20			
		C 压接 Crimp	BK 黑色 Black	16	160°	ESS-200A-50-C-BK-16			
			OR 橙色 Orange	20	20°	ESS-200A-50-C-OR-20			
			RD 红色 Red	20	20°	ESS-200A-50-C-RD-20			
B/S 铜排/ 螺纹孔 Busbar/ Screw	BK 黑色 Black	16	160°	ESS-200A-50-B/S-BK-16					
	OR 橙色 Orange	20	20°	ESS-200A-50-B/S-OR-20					
	RD 红色 Red	20	20°	ESS-200A-50-B/S-RD-20					

## ES-200A 单芯大电流 ES-200A

- 额定电压: 1500V
- 额定电流: 200A
- Rated voltage: 1500V
- Rated current: 200A

### 技术数据 Technical Data



插头类型 Plug type: ESP-200A			
插入力 Insertion force	100N MAX	O形圈材料 Material of O-ring	硅胶 Silicon
拔出力 Withdrawal force	10N≤X≤100N	机械寿命 Mechanical lifecycle	>100
额定电压 Rated voltage	1500V	电缆外径 External cable diameter	12.5-14mm
额定电流 Rated current	200A	电缆截面积 Cross section	50mm <sup>2</sup>
接触电阻 Contact resistance	<0.5mΩ	电缆剥线长度 Stripping length	13-14mm
绝缘电阻 Insulation resistance	>5000MΩ	接线方式 Connection method	压接 Crimp
颜色 Color	橙色/黑色/红色 Orange/Black/Red	防护等级 (对插) Degree of protection	IP67 (1m,30min)
接触件材料 Material of contact	铜合金 Copper alloy	运行温度 Operating temperature	-40°C+125°C
绝缘材料 Insulation material	PA	阻燃等级, 符合UL94 Flammability rating according to UL 94	V0
夹紧圈材料 Material of seal	硅胶 Silicon	认证 Certification	UL4128 and TUV2PFG2740
插座类型 Socket type: ESS-200A			
接线方式 Connection method	铜排、压接、螺钉、铜排/螺纹 Busbar, Crimp, Screw, Threaded Busbar	安装螺母紧固扭矩 Layout torque	M4/0.4-0.7N.m

### 产品订购信息 Ordering information

产品系列 Product series	产品类型 Type	额定电流 Rated current	电缆尺寸 Cross section of wire	尾端接线方式 Connection method	颜色 Color	防混插键位 Fool-proofing keyway	产品型号 Product model		
ES	P 插头 Plug	200A	50	50mm <sup>2</sup>	/	BK 黑色 Black	18 180°	ESP-200A-50-BK-18	
						OR 橙色 Orange	90 90°	ESP-200A-50-OR-90	
						RD 红色 Red	90 90°	ESP-200A-50-RD-90	
	S 插座 Socket	B 铜排 Busbar	200A	50	50mm <sup>2</sup>	B	BK 黑色 Black	18 180°	ESS-200A-50-B-BK-18
							OR 橙色 Orange	90 90°	ESS-200A-50-B-OR-90
							RD 红色 Red	90 90°	ESS-200A-50-B-RD-90
		S 螺钉 Screw	BK 黑色 Black	18 180°	ESS-200A-50-S-BK-18				
			OR 橙色 Orange	90 90°	ESS-200A-50-S-OR-90				
			RD 红色 Red	90 90°	ESS-200A-50-S-RD-90				
		C 压接 Crimp	BK 黑色 Black	18 180°	ESS-200A-50-C-BK-18				
			OR 橙色 Orange	90 90°	ESS-200A-50-C-OR-90				
			RD 红色 Red	90 90°	ESS-200A-50-C-RD-90				
B/S 铜排/ 螺纹孔 Busbar/ Screw	BK 黑色 Black	18 180°	ESS-200A-50-B/S-BK-18						
	OR 橙色 Orange	90 90°	ESS-200A-50-B/S-OR-90						
	RD 红色 Red	90 90°	ESS-200A-50-B/S-RD-90						

## ES-200A 单芯大电流 (新一代) ES-200A (New Generation)

- 额定电压: 1500V
- 额定电流: 200A
- 可选配二次锁结构, 防止解锁误操作
- 整体尺寸比标准款缩短 7.4mm
- Rated voltage: 1500V
- Rated current: 200A
- Optional secondary lock
- The overall size shorten 7.4mm



### 技术数据 Technical Data



插头类型 Plug type: ESP-200A 新一代 New Generation			
插入力 Insertion force	100N MAX	O形圈材料 Material of O-ring	硅胶 Silicon
拔出力 Withdrawal force	10N≤X≤100N	机械寿命 Mechanical lifecycle	>100
额定电压 Rated voltage	1500V	电缆外径 External cable diameter	12.5-14mm
额定电流 Rated current	200A	电缆截面积 Cross section	50mm <sup>2</sup>
接触电阻 Contact resistance	<0.5mΩ	电缆剥线长度 Stripping length	13-14mm
绝缘电阻 Insulation resistance	>5000MΩ	接线方式 Connection method	压接 Crimp
颜色 Color	橙色/黑色/红色 Orange/Black/Red	防护等级 (对插) Degree of protection	IP67 (1m,30min)
接触件材料 Material of contact	铜合金 Copper alloy	运行温度 Operating temperature	-40°C+125°C
绝缘材料 Insulation material	PA	阻燃等级, 符合UL94 Flammability rating according to UL 94	V0
夹紧圈材料 Material of seal	硅胶 Silicon	认证 Certification	UL

### 产品订购信息 Ordering information

产品系列 Product series	产品类型 Type	额定电流 Rated current	电缆尺寸 Cross section of wire	尾端接线方式 Connection method	颜色 Color	防混插键位 Fool-proofing keyway	产品型号 Product model		
ES	P 插头 Plug	200A	50	50mm <sup>2</sup>	/	BK 黑色 Black	18 180°	ESP-200A-50-BK-00 (01)	
						OR 橙色 Orange	90 90°	ESP-200A-50-OR-00 (01)	
						RD 红色 Red	90 90°	ESP-200A-50-RD-00 (01)	
	S 插座 Socket	B 铜排 Busbar	200A	50	50mm <sup>2</sup>	B	BK 黑色 Black	18 180°	ESS-200A-50-B-BK-18
							OR 橙色 Orange	90 90°	ESS-200A-50-B-OR-90
							RD 红色 Red	90 90°	ESS-200A-50-B-RD-90
		S 螺钉 Screw	BK 黑色 Black	18 180°	ESS-200A-50-S-BK-18				
			OR 橙色 Orange	90 90°	ESS-200A-50-S-OR-90				
			RD 红色 Red	90 90°	ESS-200A-50-S-RD-90				
		C 压接 Crimp	BK 黑色 Black	18 180°	ESS-200A-50-C-BK-18				
			OR 橙色 Orange	90 90°	ESS-200A-50-C-OR-90				
			RD 红色 Red	90 90°	ESS-200A-50-C-RD-90				
B/S 铜排/ 螺纹孔 Busbar/ Screw	BK 黑色 Black	18 180°	ESS-200A-50-B/S-BK-18						
	OR 橙色 Orange	90 90°	ESS-200A-50-B/S-OR-90						
	RD 红色 Red	90 90°	ESS-200A-50-B/S-RD-90						

## ES-250A 单芯大电流 (直头) ES-250A (Straight)

- 额定电压: 1500V
- 额定电流: 250A
- 螺钉孔间距: 36mm
- Rated voltage: 1500V
- Rated current: 250A
- Screw hole spacing: 36mm

### 技术数据 Technical Data



插头类型 Plug type: ESP-250A			
插入力 Insertion force	100N MAX	O形圈材料 Material of O-ring	硅胶 Silicon
拔出力 Withdrawal force	10N≤X≤100N	机械寿命 Mechanical lifecycle	>100
额定电压 Rated voltage	1500V	电缆外径 External cable diameter	15.5-17mm
额定电流 Rated current	250A	电缆截面积 Cross section	70mm <sup>2</sup>
接触电阻 Contact resistance	<0.5mΩ	电缆剥线长度 Stripping length	19-21mm
绝缘电阻 Insulation resistance	>5000MΩ	接线方式 Connection method	压接 Crimp
颜色 Color	橙色/黑色/红色 Orange/Black/Red	防护等级 (对插) Degree of protection	IP67 (1m,30min)
接触件材料 Material of contact	铜合金 Copper alloy	运行温度 Operating temperature	-40°C+125°C
绝缘材料 Insulation material	PA	阻燃等级,符合UL94 Flammability rating according to UL 94	V0
夹紧圈材料 Material of seal	硅胶 Silicon	认证 Certification	UL4128 and TUV2PFG2740
插座类型 Socket type: ESS-250A			
接线方式 Connection method	铜排、压接、螺钉、铜排/螺纹 Busbar,Crimp,Screw,Threaded Busbar	安装螺母紧固扭矩 Layout torque	M4/0.4-0.7N.m

### 产品订购信息 Ordering information

产品系列 Product series	产品类型 Type	额定电流 Rated current	电缆尺寸 Cross section of wire	尾端接线方式 Connection method	颜色 Color	系列号 Series	产品型号 Product model				
ES	P 插头 Plug	250A	70	70mm <sup>2</sup>	/	BK 黑色 Black	ESP-250A-70-BK-ST-00				
						OR 橙色 Orange		00	标准品 Standard	ESP-250A-70-OR-ST-00	
						RD 红色 Red				ESP-250A-70-RD-ST-00	
	S 插座 Socket	B 铜排 Busbar	250A	70	70mm <sup>2</sup>	B	BK 黑色 Black	ESS-250A-70-B-BK-00			
							OR 橙色 Orange		00	标准品 Standard	ESS-250A-70-B-OR-00
							RD 红色 Red				ESS-250A-70-B-RD-00
		S 螺钉 Screw	BK 黑色 Black	00	标准品 Standard	ESS-250A-70-S-BK-00					
			OR 橙色 Orange			ESS-250A-70-S-OR-00					
			RD 红色 Red			ESS-250A-70-S-RD-00					
		C 压接 Crimp	BK 黑色 Black	00	标准品 Standard	ESS-250A-70-C-BK-00					
			OR 橙色 Orange			ESS-250A-70-C-OR-00					
			RD 红色 Red			ESS-250A-70-C-RD-00					
B/S 铜排/ 螺纹孔 Busbar/ Screw		BK 黑色 Black	00	标准品 Standard	ESS-250A-70-B/S-BK-00						
		OR 橙色 Orange			ESS-250A-70-B/S-OR-00						
		RD 红色 Red			ESS-250A-70-B/S-RD-00						

## ES-250A 单芯大电流 (安装防呆) ES-250A (Mistake-proofing-installation)

- 额定电压: 1500V
- 额定电流: 250A
- 螺钉孔间距: 36mm
- Rated voltage: 1500V
- Rated current: 250A
- Screw hole spacing: 36mm

### 技术数据 Technical Data



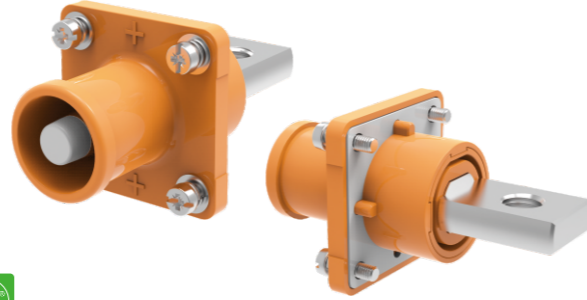
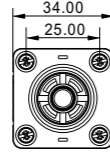
插头类型 Plug type: ESP-250A			
插入力 Insertion force	100N MAX	O形圈材料 Material of O-ring	硅胶 Silicon
拔出力 Withdrawal force	10N≤X≤100N	机械寿命 Mechanical lifecycle	>100
额定电压 Rated voltage	1500V	电缆外径 External cable diameter	15.5-17mm
额定电流 Rated current	250A	电缆截面积 Cross section	70mm <sup>2</sup>
接触电阻 Contact resistance	<0.5mΩ	电缆剥线长度 Stripping length	19-21mm
绝缘电阻 Insulation resistance	>5000MΩ	接线方式 Connection method	压接 Crimp
颜色 Color	橙色/黑色/红色 Orange/Black/Red	防护等级 (对插) Degree of protection	IP67 (1m,30min)
接触件材料 Material of contact	铜合金 Copper alloy	运行温度 Operating temperature	-40°C+125°C
绝缘材料 Insulation material	PA	阻燃等级,符合UL94 Flammability rating according to UL 94	V0
夹紧圈材料 Material of seal	硅胶 Silicon	认证 Certification	UL4128 and TUV2PFG2740
插座类型 Socket type: ESS-250A			
接线方式 Connection method	铜排、压接、螺钉、铜排/螺纹 Busbar,Crimp,Screw,Threaded Busbar	安装螺母紧固扭矩 Layout torque	M4/0.4-0.7N.m

### 产品订购信息 Ordering information

产品系列 Product series	产品类型 Type	额定电流 Rated current	电缆尺寸 Cross section of wire	尾端接线方式 Connection method	颜色 Color	系列号 Series	产品型号 Product model				
ES	P 插头 Plug	250A	70	70mm <sup>2</sup>	/	BK 黑色 Black	ESP-250A-70-BK-00				
						OR 橙色 Orange		00	标准品 Standard	ESP-250A-70-OR-00	
						RD 红色 Red				ESP-250A-70-RD-00	
	S 插座 Socket	B 铜排 Busbar	250A	70	70mm <sup>2</sup>	B	BK 黑色 Black	ESS-250A-70-B-BK-00			
							OR 橙色 Orange		00	标准品 Standard	ESS-250A-70-B-OR-00
							RD 红色 Red				ESS-250A-70-B-RD-00
		S 螺钉 Screw	BK 黑色 Black	00	标准品 Standard	ESS-250A-70-S-BK-00					
			OR 橙色 Orange			ESS-250A-70-S-OR-00					
			RD 红色 Red			ESS-250A-70-S-RD-00					
		C 压接 Crimp	BK 黑色 Black	00	标准品 Standard	ESS-250A-70-C-BK-00					
			OR 橙色 Orange			ESS-250A-70-C-OR-00					
			RD 红色 Red			ESS-250A-70-C-RD-00					
B/S 铜排/ 螺纹孔 Busbar/ Screw		BK 黑色 Black	00	标准品 Standard	ESS-250A-70-B/S-BK-00						
		OR 橙色 Orange			ESS-250A-70-B/S-OR-00						
		RD 红色 Red			ESS-250A-70-B/S-RD-00						

## ES-250A - 单芯大电流 - 小尺寸插座 (安装防呆) ES-250A - Small size socket (Mistake-proofing-installation)

- 额定电压: 1500V
- 额定电流: 250A
- 螺钉孔间距: 25 / 24.5mm
- Rated voltage: 1500V
- Rated current: 250A
- Screw hole spacing: 25 / 24.5mm



### 技术数据 Technical Data



插头类型 Plug type: ESP-250A			
插入力 Insertion force	100N MAX	O形圈材料 Material of O-ring	硅胶 Silicon
拔出力 Withdrawal force	10N≤X≤100N	机械寿命 Mechanical lifecycle	>100
额定电压 Rated voltage	1500V	电缆外径 External cable diameter	15.5-17mm
额定电流 Rated current	250A	电缆截面积 Cross section	70mm <sup>2</sup>
接触电阻 Contact resistance	<0.5mΩ	电缆剥线长度 Stripping length	19-21mm
绝缘电阻 Insulation resistance	>5000MΩ	接线方式 Connection method	压接 Crimp
颜色 Color	橙色/黑色/红色 Orange/Black/Red	防护等级 (对插) Degree of protection	IP67 (1m,30min)
接触件材料 Material of contact	铜合金 Copper alloy	运行温度 Operating temperature	-40°C+125°C
绝缘材料 Insulation material	PA	阻燃等级,符合UL94 Flammability rating according to UL 94	V0
夹紧圈材料 Material of seal	硅胶 Silicon	认证 Certification	UL4128 and TUV 2PFG2740
插座类型 Socket type: ES-250A-Small size socket panel			
接线方式 Connection method	铜排、压接、螺钉、铜排/螺纹 Busbar, Crimp, Screw, Threaded Busbar	安装螺母紧固扭矩 Layout torque	M4/0.4-0.7N.m

### 产品订购信息 Ordering information

产品系列 Product series	产品类型 Type	额定电流 Rated current	电缆尺寸 Cross section of wire	尾端接线方式 Connection method	颜色 Color	系列号 Series	产品型号 Product model		
ES	P 插头 Plug	250A	70	70mm <sup>2</sup>	/	BK 黑色 Black	02	ESP-250A-70-BK-00	
						OR 橙色 Orange	03		ESP-250A-70-OR-00
						RD 红色 Red	03		ESP-250A-70-RD-00
						BK 黑色 Black	02		ESS-250A-70-B-BK-02
						OR 橙色 Orange	03		ESS-250A-70-B-OR-03
						RD 红色 Red	03		ESS-250A-70-B-RD-03
	S 插座 Socket	B 铜排 Busbar	250A	70	70mm <sup>2</sup>	/	BK 黑色 Black	02	ESS-250A-70-S-BK-02
							OR 橙色 Orange	03	ESS-250A-70-S-OR-03
							RD 红色 Red	03	ESS-250A-70-S-RD-03
		S 螺钉 Screw				BK 黑色 Black	02	ESS-250A-70-S-BK-02	
						OR 橙色 Orange	03	ESS-250A-70-S-OR-03	
						RD 红色 Red	03	ESS-250A-70-S-RD-03	
		C 压接 Crimp				BK 黑色 Black	02	ESS-250A-70-C-BK-02	
						OR 橙色 Orange	03	ESS-250A-70-C-OR-03	
						RD 红色 Red	03	ESS-250A-70-C-RD-03	
		B/S 铜排/ 螺纹孔 Busbar/ Screw				BK 黑色 Black	02	ESS-250A-70-B/S-BK-02	
						OR 橙色 Orange	03	ESS-250A-70-B/S-OR-03	
						RD 红色 Red	03	ESS-250A-70-B/S-RD-03	
B/S 铜排/螺纹孔 Busbar/ Screw	BK 黑色 Black	01	ESS-250A-70-B/S-BK-01						
	OR 橙色 Orange		ESS-250A-70-B/S-OR-01						

## ES-250A 单芯大电流 (新一代) ES-250A (New Generation)

- 额定电压: 1500V
- 额定电流: 250A
- 螺钉孔间距: 25mm
- Rated voltage: 1500V
- Rated current: 250A
- Screw hole spacing: 25mm



### 技术数据 Technical Data



插头类型 Plug type: ESP-250A			
插入力 Insertion force	100N MAX	O形圈材料 Material of O-ring	硅胶 Silicon
拔出力 Withdrawal force	10N≤X≤100N	机械寿命 Mechanical lifecycle	>100
额定电压 Rated voltage	1500V	电缆外径 External cable diameter	16.5-17.5mm
额定电流 Rated current	250A	电缆截面积 Cross section	65-70mm <sup>2</sup>
接触电阻 Contact resistance	<0.5mΩ	电缆剥线长度 Stripping length	-
绝缘电阻 Insulation resistance	>5000MΩ	接线方式 Connection method	压接 Crimp
颜色 Color	橙色/黑色 Orange/Black	防护等级 (对插) Degree of protection	IP67 (1m,30min)
接触件材料 Material of contact	铜合金 Copper alloy	运行温度 Operating temperature	-40°C+125°C
绝缘材料 Insulation material	PA	阻燃等级,符合UL94 Flammability rating according to UL 94	V0
夹紧圈材料 Material of seal	硅胶 Silicon	认证 Certification	符合 Compliant
插座类型 Socket type: ESS-250A			
接线方式 Connection method	铜排/螺纹 Threaded Busbar	安装螺母紧固扭矩 Layout torque	M3/0.4-0.5N.m

### 产品订购信息 Ordering information

产品系列 Product series	产品类型 Type	金属端子直径 Diameter of metal terminal	颜色 Color	商业代码 Commercial code	商业代码 Commercial code	产品型号 Product model
ES	P 插头 Plug	08-φ8mm	BK 黑色 Black	00	A1	ESP-08-BK-00-A1
			OR 橙色 Orange			ESP-08-OR-00-A1
			RD 红色 Red			ESP-08-RD-00-A1
	S 插座 Socket		BK 黑色 Black	00	A1	ESS-08-BK-00-A1
			OR 橙色 Orange			ESS-08-OR-00-A1
			RD 红色 Red			ESS-08-RD-00-A1

## ES-300A 单芯大电流 (固定键位) ES-300A (Fixed key position)

- 额定电压: 1500V
- 额定电流: 300A
- 满足固定方向出线
- Rated voltage: 1500V
- Rated current: 300A
- Meet the requirement of a fixed wiring direction

### 技术数据 Technical Data



插头类型 Plug type: ESP-300A			
插入力 Insertion force	100N MAX	O形圈材料 Material of O-ring	硅胶 Silicon
拔出力 Withdrawal force	10N≤X≤100N	机械寿命 Mechanical lifecycle	>100
额定电压 Rated voltage	1500V	电缆外径 External cable diameter	16.0-18.0mm
额定电流 Rated current	300A	电缆截面积 Cross section	95mm <sup>2</sup>
接触电阻 Contact resistance	<0.5mΩ	电缆剥线长度 Stripping length	16-18mm
绝缘电阻 Insulation resistance	>5000MΩ	接线方式 Connection method	压接 Crimp
颜色 Color	橙色/黑色/红色 Orange/Black/Red	防护等级 (对插) Degree of protection	IP67 (1m,30min)
接触件材料 Material of contact	铜合金 Copper alloy	运行温度 Operating temperature	-40°C+125°C
绝缘材料 Insulation material	PA	阻燃等级, 符合UL94 Flammability rating according to UL 94	V0
夹紧圈材料 Material of seal	硅胶 Silicon	认证 Certification	UL4128 and TUV2PFG2740
插座类型 Socket type: ESS-300A			
接线方式 Connection method	铜排、压接、螺钉、铜排/螺纹 Busbar, Crimp, Screw, Threaded Busbar	安装螺母紧固扭矩 Layout torque	M4/0.4-0.7N.m

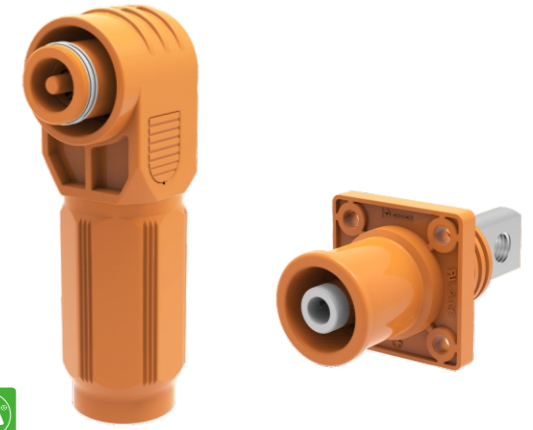
### 产品订购信息 Ordering information

产品系列 Product series	产品类型 Type	额定电流 Rated current	电缆尺寸 Cross section of wire		尾端接线方式 Connection method	颜色 Color	系列号 Series	产品型号 Product model	
ES	P 插头 Plug	300A	95	95mm <sup>2</sup>	/	BK 黑色 Black	00 标准品 Standard	ESP-300A-95-BK-00	
						OR 橙色 Orange		ESP-300A-95-OR-00	
						RD 红色 Red		ESP-300A-95-RD-00	
	S 插座 Socket	B 铜排 Busbar	300A	95	95mm <sup>2</sup>	B	BK 黑色 Black	00 标准品 Standard	ESS-300A-95-B-BK-00
							OR 橙色 Orange		ESS-300A-95-B-OR-00
							RD 红色 Red		ESS-300A-95-B-RD-00
							BK 黑色 Black		ESS-300A-95-S-BK-00
							OR 橙色 Orange		ESS-300A-95-S-OR-00
							RD 红色 Red		ESS-300A-95-S-RD-00
		S 螺钉 Screw	BK 黑色 Black	00 标准品 Standard	ESS-300A-95-S-BK-00				
			OR 橙色 Orange		ESS-300A-95-S-OR-00				
			RD 红色 Red		ESS-300A-95-S-RD-00				
C 压接 Crimp		BK 黑色 Black	00 标准品 Standard	ESS-300A-95-C-BK-00					
		OR 橙色 Orange		ESS-300A-95-C-OR-00					
		RD 红色 Red		ESS-300A-95-C-RD-00					
B/S 铜排/ 螺纹孔 Busbar/ Screw	BK 黑色 Black	00 标准品 Standard	ESS-300A-95-B/S-BK-00						
	OR 橙色 Orange		ESS-300A-95-B/S-OR-00						
	RD 红色 Red		ESS-300A-95-B/S-RD-00						

## ES-300A 单芯大电流 ES-300A

- 额定电压: 1500V
- 额定电流: 300A
- Rated voltage: 1500V
- Rated current: 300A

### 技术数据 Technical Data



插头类型 Plug type: ESP-300A			
插入力 Insertion force	100N MAX	O形圈材料 Material of O-ring	硅胶 Silicon
拔出力 Withdrawal force	10N≤X≤100N	机械寿命 Mechanical lifecycle	>100
额定电压 Rated voltage	1500V	电缆外径 External cable diameter	16.0-18.0mm/14.0-16.0mm
额定电流 Rated current	300A/250A(70mm <sup>2</sup> 线)	电缆截面积 Cross section	95mm <sup>2</sup> / 70mm <sup>2</sup>
接触电阻 Contact resistance	<0.5mΩ	电缆剥线长度 Stripping length	16-18mm
绝缘电阻 Insulation resistance	>5000MΩ	接线方式 Connection method	压接 Crimp
颜色 Color	橙色/黑色/红色 Orange/Black/Red	防护等级 (对插) Degree of protection	IP67 (1m,30min)
接触件材料 Material of contact	铜合金 Copper alloy	运行温度 Operating temperature	-40°C+125°C
绝缘材料 Insulation material	PA	阻燃等级, 符合UL94 Flammability rating according to UL 94	V0
夹紧圈材料 Material of seal	硅胶 Silicon	认证 Certification	UL4128 and TUV 2PFG2740
插座类型 Socket type: ESS-300A			
接线方式 Connection method	铜排、压接、螺钉、铜排/螺纹 Busbar, Crimp, Screw, Threaded Busbar	安装螺母紧固扭矩 Layout torque	M4/0.4-0.7N.m

### 产品订购信息 Ordering information

产品系列 Product series	产品类型 Type	额定电流 Rated current	电缆尺寸 Cross section of wire		尾端接线方式 Connection method	颜色 Color	系列号 Series	产品型号 Product model		
ES	P 插头 Plug	300A	95	95mm <sup>2</sup>	/	BK 黑色 Black	00-01 300A(95mm <sup>2</sup> 线 cable)	ESP-300A-95-BK-00-XX(01 or 03)		
						OR 橙色 Orange		ESP-300A-95-OR-00-XX(01 or 03)		
						RD 红色 Red		ESP-300A-95-RD-00-XX(01 or 03)		
			70	70mm <sup>2</sup>		BK 黑色 Black	00-03 250A(70mm <sup>2</sup> 线 cable)	ESS-300A-95-RD-00-XX(01 or 03)		
						OR 橙色 Orange		ESS-300A-95-B-OR-00-01		
						RD 红色 Red		ESS-300A-95-B-RD-00-01		
	S 插座 Socket	300A	95	95mm <sup>2</sup>	S	BK 黑色 Black	00-01 标准品 Standard	ESS-300A-95-S-BK-00-01		
						OR 橙色 Orange		ESS-300A-95-S-OR-00-01		
						RD 红色 Red		ESS-300A-95-S-RD-00-01		
						C 压接 Crimp		BK 黑色 Black	00-01 标准品 Standard	ESS-300A-95-C-BK-00-01
								OR 橙色 Orange		ESS-300A-95-C-OR-00-01
								RD 红色 Red		ESS-300A-95-C-RD-00-01
B/S 铜排/ 螺纹孔 Busbar/ Screw	BK 黑色 Black	00-01 标准品 Standard	ESS-300A-95-B/S-BK-00-01							
	OR 橙色 Orange		ESS-300A-95-B/S-OR-00-01							
	RD 红色 Red		ESS-300A-95-B/S-RD-00-01							

## ES-350A 单芯大电流 (安装防呆) ES-350A (Mistake-proofing-installation)

- 额定电压: 1500V
- 额定电流: 350A
- Rated voltage: 1500V
- Rated current: 350A



### 技术数据 Technical Data



插头类型 Plug type: ESP-350A			
插入力 Insertion force	80N MAX	O形圈材料 Material of O-ring	硅胶 Silicon
拔出力 Withdrawal force	10N≤X≤80N	机械寿命 Mechanical lifecycle	>100
额定电压 Rated voltage	1500V	电缆外径 External cable diameter	19.0-22.0mm
额定电流 Rated current	350A	电缆截面积 Cross section	120mm <sup>2</sup>
接触电阻 Contact resistance	<0.5mΩ	电缆剥线长度 Stripping length	22-24mm
绝缘电阻 Insulation resistance	>5000MΩ	接线方式 Connection method	压接 Crimp
颜色 Color	橙色/黑色/红色 Orange/Black/Red	防护等级 (对插) Degree of protection	IP67 (1m,30min)
接触件材料 Material of contact	铜合金 Copper alloy	运行温度 Operating temperature	-40°C+125°C
绝缘材料 Insulation material	PA	阻燃等级, 符合UL94 Flammability rating according to UL 94	V0
夹紧圈材料 Material of seal	硅胶 Silicon	认证 Certification	UL4128 and TUV2PFG2740
插座类型 Socket type: ESS-350A			
接线方式 Connection method	铜排、压接、螺钉、铜排/螺纹 Busbar, Crimp, Screw, Threaded Busbar	安装螺母紧固扭矩 Layout torque	M4/0.4-0.7N.m

### 产品订购信息 Ordering information

产品系列 Product series	产品类型 Type	额定电流 Rated current	电缆尺寸 Cross section of wire	尾端接线方式 Connection method	颜色 Color	系列号 Series	产品型号 Product model			
ES	P 插头 Plug	350A	120	120mm <sup>2</sup>	/	BK 黑色 Black	00 标准品 Standard	ESP-350A-120-BK-00		
						OR 橙色 Orange		ESP-350A-120-OR-00		
						RD 红色 Red		ESP-350A-120-RD-00		
	S 插座 Socket	B 铜排 Busbar	350A	120	120mm <sup>2</sup>	/	BK 黑色 Black	00 标准品 Standard	ESS-350A-120-B-BK-00	
							OR 橙色 Orange		ESS-350A-120-B-OR-00	
							RD 红色 Red		ESS-350A-120-B-RD-00	
							BK 黑色 Black		00 标准品 Standard	ESS-350A-120-S-BK-00
							OR 橙色 Orange			ESS-350A-120-S-OR-00
							RD 红色 Red			ESS-350A-120-S-RD-00
		C 压接 Crimp	BK 黑色 Black	00 标准品 Standard	ESS-350A-120-C-BK-00					
			OR 橙色 Orange		ESS-350A-120-C-OR-00					
			RD 红色 Red		ESS-350A-120-C-RD-00					
B/S 铜排/ 螺纹孔 Busbar/ Screw		BK 黑色 Black	00 标准品 Standard	ESS-350A-120-B/S-BK-00						
		OR 橙色 Orange		ESS-350A-120-B/S-OR-00						
		RD 红色 Red		ESS-350A-120-B/S-RD-00						

## ES-400A 单芯大电流 (安装防呆) ES-400A (Mistake-proofing-installation)

- 额定电压: 1500V
- 额定电流: 400A
- Rated voltage: 1500V
- Rated current: 400A



### 技术数据 Technical Data



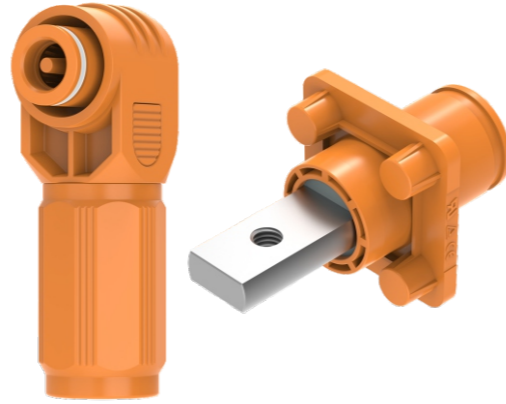
插头类型 Plug type: ESP-400A			
插入力 Insertion force	80N MAX	O形圈材料 Material of O-ring	硅胶 Silicon
拔出力 Withdrawal force	10N≤X≤80N	机械寿命 Mechanical lifecycle	>100
额定电压 Rated voltage	1500V	电缆外径 External cable diameter	20.0-22.0mm
额定电流 Rated current	400A	电缆截面积 Cross section	127mm <sup>2</sup>
接触电阻 Contact resistance	<0.5mΩ	电缆剥线长度 Stripping length	22-24mm
绝缘电阻 Insulation resistance	>5000MΩ	接线方式 Connection method	压接 Crimp
颜色 Color	橙色/黑色/红色 Orange/Black/Red	防护等级 (对插) Degree of protection	IP67 (1m,30min)
接触件材料 Material of contact	铜合金 Copper alloy	运行温度 Operating temperature	-40°C+125°C
绝缘材料 Insulation material	PA	阻燃等级, 符合UL94 Flammability rating according to UL 94	V0
夹紧圈材料 Material of seal	硅胶 Silicon	认证 Certification	UL4128 and TUV2PFG2740
插座类型 Socket type: ESS-400A			
接线方式 Connection method	铜排、压接、螺钉、铜排/螺纹 Busbar, Crimp, Screw, Threaded Busbar	安装螺母紧固扭矩 Layout torque	M4/0.4-0.7N.m

### 产品订购信息 Ordering information

产品系列 Product series	产品类型 Type	额定电流 Rated current	电缆尺寸 Cross section of wire	尾端接线方式 Connection method	颜色 Color	系列号 Series	产品型号 Product model			
ES	P 插头 Plug	400A	250	127mm <sup>2</sup>	/	BK 黑色 Black	00 标准品 Standard	ESP-400A-250-BK-00		
						OR 橙色 Orange		ESP-400A-250-OR-00		
						RD 红色 Red		ESP-400A-250-RD-00		
	S 插座 Socket	B 铜排 Busbar	400A	250	127mm <sup>2</sup>	/	BK 黑色 Black	00 标准品 Standard	ESS-400A-250-B-BK-00	
							OR 橙色 Orange		ESS-400A-250-B-OR-00	
							RD 红色 Red		ESS-400A-250-B-RD-00	
							BK 黑色 Black		00 标准品 Standard	ESS-400A-250-S-BK-00
							OR 橙色 Orange			ESS-400A-250-S-OR-00
							RD 红色 Red			ESS-400A-250-S-RD-00
		C 压接 Crimp	BK 黑色 Black	00 标准品 Standard	ESS-400A-250-C-BK-00					
			OR 橙色 Orange		ESS-400A-250-C-OR-00					
			RD 红色 Red		ESS-400A-250-C-RD-00					
B/S 铜排/ 螺纹孔 Busbar/ Screw		BK 黑色 Black	00 标准品 Standard	ESS-400A-250-B/S-BK-00						
		OR 橙色 Orange		ESS-400A-250-B/S-OR-00						
		RD 红色 Red		ESS-400A-250-B/S-RD-00						

## ES-450A 单芯大电流(安装防呆) ES-450A (Mistake-proofing-installation)

- 额定电压: 1500V
- 额定电流: 450A
- Rated voltage: 1500V
- Rated current: 450A



### 技术数据 Technical Data



插头类型 Plug type: ESP-450A			
插入力 Insertion force	100N MAX	O形圈材料 Material of O-ring	硅胶 Silicon
拔出力 Withdrawal force	10N≤X≤100N	机械寿命 Mechanical lifecycle	>100
额定电压 Rated voltage	1500V	接线规格 Wiring specifications	300kcmil or 150mm <sup>2</sup>
额定电流 Rated current	450A	盐雾等级 Salt spray level	96H
接触电阻 Contact resistance	<0.5mΩ	电缆剥线长度 Stripping length	19-21mm
绝缘电阻 Insulation resistance	>5000MΩ	接线方式 Connection method	压接 Crimp
颜色 Color	橙色/黑色/红色 Orange/Black/Red	防护等级(对插) Degree of protection	IP67 (1m,30min)
接触件材料 Material of contact	铜合金 Copper alloy	运行温度 Operating temperature	-40°C+125°C
绝缘材料 Insulation material	PA	阻燃等级,符合UL94 Flammability rating according to UL 94	V0
夹紧圈材料 Material of seal	硅胶 Silicon	认证 Certification	UL4128 and TUV2PFG2740
插座类型 Socket type: ESS-400A			
接线方式 Connection method	铜排/螺纹 Threaded Busbar	安装螺母紧固扭矩 Layout torque	M4/0.4-0.7N.m

### 产品订购信息 Ordering information

产品系列 Product series	产品类型 Type	额定电流 Rated current	电缆尺寸 Cross section of wire	尾端接线方式 Connection method	颜色 Color	安装方式 Installation	产品型号 Product model
ES	P 插头 Plug	450A	150mm <sup>2</sup>	/	BK 黑色 Black	/	ESP-12-BK-00-A1
					OR 橙色 Orange		ESP-12-OR-00-A1
	S 插座 Socket	450A	150mm <sup>2</sup>	B/S (铜排/螺纹孔) B/S (Busbar Screw)	BK 黑色 Black	前锁 Front lock	ESS-12-BK-00-A1
					OR 橙色 Orange		ESS-12-OR-00-A1
					BK 黑色 Black	后锁 Rear lock	ESS-12-BK-01-A1
					OR 橙色 Orange		ESS-12-OR-01-A1

### 插座尺寸 Socket Dimensions

类别 Item	铜排接线 Busbar connection		压接接线 Crimp connection		锁螺丝接线 Screw connection		铜排锁螺丝接线 Threaded Busbar connection	
	A	B	A	B	A	B	A	B
50A/70A	16.2	41.1	16.2	37.2	16.2	36.4	16.2	41.1
100A/120A	19	53.7	19	53.5	19	45.5	19	53.7
150A/200A	22	68.1	22	61.8	22	55.1	22	68.1
250A	25.1	68.4	25.1	70.1	25.1	60.1	25.1	68.4
300A	30.3	70	25.3	70.2	25.3	60.8	25.3	70.2
350A/400A	30.6	73.9	30.6	74.6	30.6	68.6	30.6	73.9
450A	/	/	/	/	/	/	31.1	79.9

### 插头尺寸 Plug Dimensions

类别 Item	压接接线 Crimp connection			
	A	B	C	D
50A/70A	21.2	51	24.3	16
100A/120A	25	68.3	30.7	19
150A/200A	29.4	76.7	40.7	22
250A	33.8	87.2	38.7	23.5
300A	39	101	44	29
350A/400A/450A	44.4	106.4	48	33

### 50A-70A面板安装尺寸 50A-70A Layout Dimensions

电流 Current	A	ΦC	D	面板安装扭矩 Layout Torque	插座端子扭矩 Socket Torque		图示 Figure
					铜排锁螺丝扭矩 Threaded Busbar Torque	螺丝连接扭矩 Screw Torque	
50A/70A	24±0.1	12.9±0.2	M4 Screw	0.4-0.7N.m	M4 Screw 1.2-1.5N.m	M4 Nut: 1.2N.m max	

### 100A-450A面板安装尺寸 100A-450A Layout Dimensions

电流 Current	A	B	ΦC	D	面板安装扭矩 Layout Torque	铜排锁螺丝扭矩 Threaded Busbar Torque	螺丝连接扭矩 Screw Torque	图示 Figure
150A/200A (不含ExcludeESS-200A-A)	21.0±0.1 21.8±0.1	21.0±0.1 21.8±0.1	18.6±0.1 20.0±0.1 (Screw)	M4 Screw	M4 bolts: 0.4-0.7N.m	M5 bolts: 2N.m max	M8 Nut: 6N.m max	
250A	36±0.1	36±0.1	32±0.1	M4 Screw	M4 bolts: 0.4-0.7N.m	M8 Nut: 6N.m max	M8 Nut: 6N.m max	
250A 小尺寸 Small size	24.5±0.1 25.0±0.1	24.5±0.1 25.0±0.1	23.9±0.1	M3/M4 Screw	M3/M4 bolts: 0.4-0.7N.m	M8 bolts: 6N.m max	M8 Nut: 6N.m max	
300A	24.5±0.1	24.5±0.1	22.5+0.2/-0	M4 Screw	M4 bolts: 0.4-0.7N.m	M8 bolts: 6N.m max	M8 Nut: 6N.m max	
350A/400A/450A	36±0.1	36±0.1	32±0.1	M4 Screw	M4 bolts: 0.4-0.7N.m	M8 bolts: 6N.m max	M8 Nut: 6N.m max	

## 浸没式液冷连接解决方案

### Immersion liquid cooling connector solution

浸没式液冷管理技术是将储能电芯与冷却油直接接触，将电芯完全浸没于绝缘冷却油中，以冷却油为散热介质，通过内外循环和外部热传导将电池箱内部产生的热量散发到外部。将电池产热及时、快速、高效带走，让电芯保持在最佳温度范围之内。

Immersion liquid cooling thermal management technology involves direct contact between the energy storage cells and the cooling oil, with the cells completely submerged in the insulating cooling oil. Using the cooling oil as the heat dissipation medium, the technology dissipates the heat generated inside the battery box to the outside through internal and external circulation and external heat conduction. This technology promptly, rapidly, and efficiently removes the heat generated by the battery, keeping the cells within the optimal temperature range.

- 优点:**
- ☑ 温差控制能力更强,同时安全性更高
  - ☑ 采用非油类的冷却液时,液体本身就具有灭火能力,起到了温控与消防融合的效果。
- Advantage:**
- ☑ It has stronger temperature difference control capability and higher safety
  - ☑ When using non-oil-based cooling fluid, the fluid itself possesses fire-extinguishing capabilities, achieving the effect of integrating temperature control and fire protection.

## 产品推荐

Recommendation



450A IP68 板后安装插座  
450A IP68 Rear-Mounting Socket

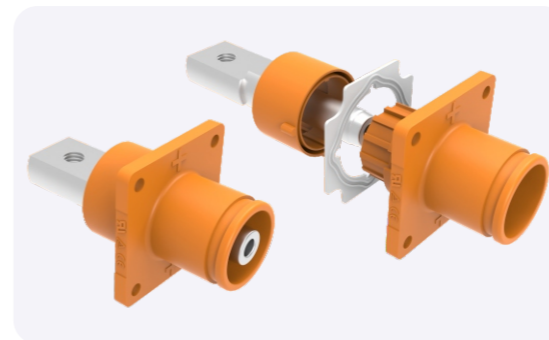
额定电压/电流 Rated voltage/current	绝缘电阻 Insulation resistance	接触电阻 Contact resistance	温度范围 Temperature range	阻燃等级 Flame retardant rating
1500V/450A	>5000MΩ	<0.5mΩ	40°C ~ +125°C	UL94V-0

### 产品安装面板增加包塑盲孔螺母

- ☑ 客户箱体钣金仅需通孔即可,无需紧固螺母,防水性能可靠。
- ☑ 螺丝螺母可配套出货。

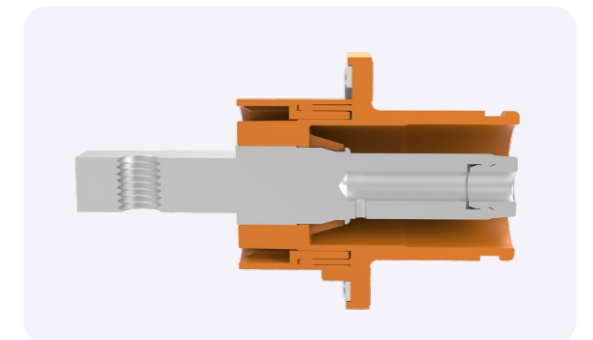
### The product installation panel has been enhanced with Over-molded blind hole nuts

- ☑ The customer's box body sheet metal only requires through-holes, without the need for fastening nuts, and the waterproof performance is reliable.
- ☑ Screws and nuts can be shipped as a set



插针与插座主体采用后组装,非包塑,针增加O型圈起防水作用,插座主体安装孔增加包塑盲孔螺母

The pin and socket body are assembled post-production, without over-molding. The pin is enhanced with an O-ring for waterproofing, and the socket body's mounting hole is equipped with a plastic-coated blind nut



面板垫片及插针O型圈均采用氟橡胶(耐油)  
Both the panel gasket and the pin O-ring are made of FKM

## EG-120A/250A 接线柱 EG-120A/250A Conductive pillar

- 额定电压: 1500V
- 额定电流: 120A/250A
- Rated voltage: 1500V
- Rated current: 120A/250A



### 技术数据 Technical Data

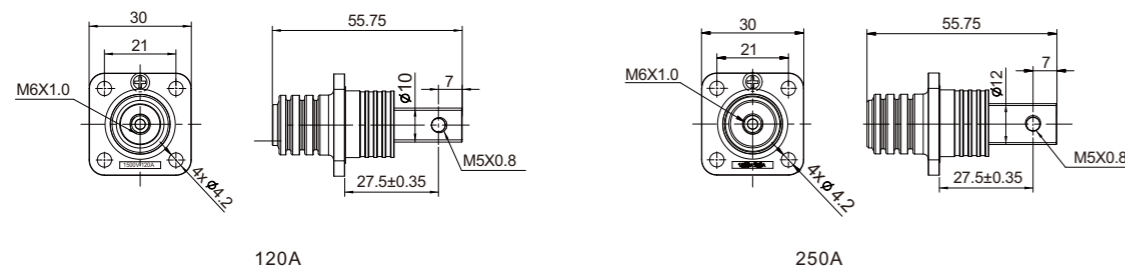


额定电压 Rated voltage	1500V DC	满足户外使用 Satisfy outdoor use	Yes
额定电流 Rated current	120A/250A	运行温度 Operating temperture	-40°C~+125°C
接触电阻 Contact resistance	≤0.5mΩ	外壳材料 Housing material	PA+GF
绝缘电阻 Insulation resistance	≥5000MΩ(drying)	盐雾 Salt spray	48H
颜色 Color	黑色/橙色 Black/Orange	阻燃等级 Flammability rating	V0
耐电压 Withstanding voltage	6800V/min	认证 Certification	UL

### 产品订购信息 Ordering information

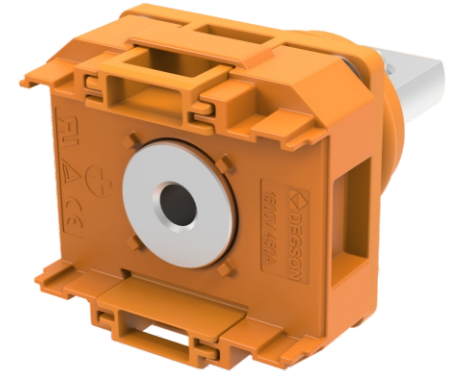
产品系列 Product series	额定电流 Rated current	颜色 Color	产品型号 Product model
EGD	120A	OR 橙色 Orange	EGD-120A-25-B/S-OR-10
	120A	BK 黑色 Black	EGD-120A-25-B/S-BK-10
	250A	OR 橙色 Orange	EGD-250A-70-B/S-OR-10
	250A	BK 黑色 Black	EGD-250A-70-B/S-BK-10

### 尺寸图 Dimensions



## EG-450A 接线柱 EG-450A Conductive pillar

- 额定电压: 1500V
- 额定电流: 450A
- Rated voltage: 1500V
- Rated current: 450A



### 技术数据 Technical Data

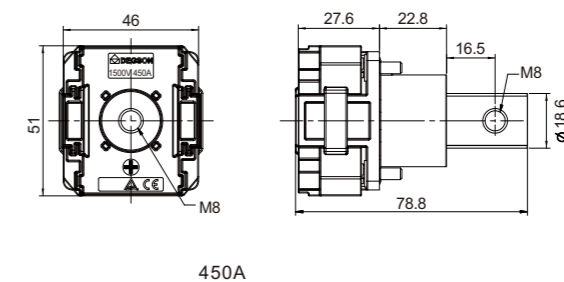


额定电压 Rated voltage	1500V DC	满足户外使用 Satisfy outdoor use	Yes
额定电流 Rated current	450A	运行温度 Operating temperture	-40°C~+125°C
接触电阻 Contact resistance	≤0.5mΩ	外壳材料 Housing material	PA+GF
绝缘电阻 Insulation resistance	≥5000MΩ(drying)	盐雾 Salt spray	48H
颜色 Color	黑色/橙色 Black/Orange	阻燃等级 Flammability rating	V0
耐电压 Withstanding voltage	6800V/min	认证 Certification	TUV, UL

### 产品订购信息 Ordering information

产品系列 Product series	额定电流 Rated current	颜色 Color	产品型号 Product model
EGD	450A	OR 橙色 Orange	EGD-12-B/S-OR-00N
	450A	BK 黑色 Black	EGD-12-B/S-BK-00N
	450A	OR 橙色 Orange	EGD-12-B/S-OR-00Y(带防护盖 With cover)
	450A	BK 黑色 Black	EGD-12-B/S-BK-00Y(带防护盖 With cover)

### 尺寸图 Dimensions



## EG-300/600A 简易式铜排 EG-300/600A Simple copper busbar

- 额定电压: 1500V
- 额定电流: 300A/600A
- Rated voltage: 1500V
- Rated current: 300A/600A



### 技术数据 Technical Data

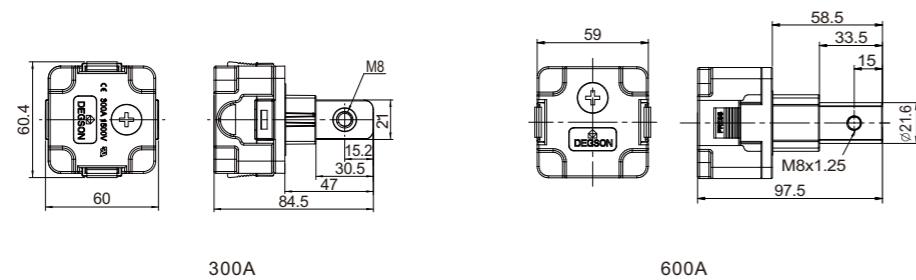


额定电压 Rated voltage	1500V DC	载流体 Pin header	紫铜, 镀镍 Copper, Ni plated
额定电流 Rated current	300A/600A	阻燃等级 Flammability rating	UL94V-0
电缆截面积 Cross section	35mm <sup>2</sup> ~250mm <sup>2</sup>	颜色 Color	橙色 / 黑色 Orange/Black
安装尺寸 Mounting dimension	45mm*45mm	安装方式 Type of installation	面板安装 Panel
运行温度 Operating temperature	-40°C~125°C	连接方式 Connection method	螺钉连接 Screw connection
绝缘材料 Insulating material	PC	环保 Environmental requirements	RoHS

### 产品订购信息 Ordering information

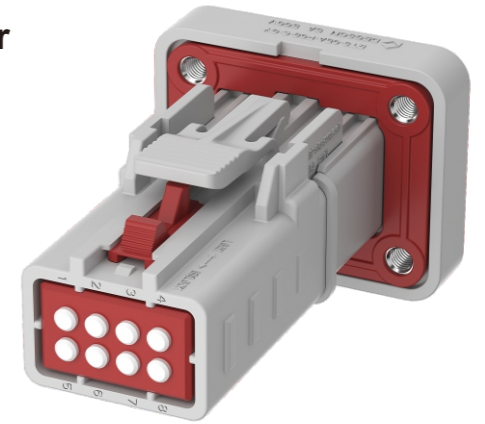
产品系列 Product series	额定电流 Rated current	电缆尺寸 Cross section of wire	尾端接线方式 Connection method	颜色 Color	系列号 Series	产品型号 Product model
EGD	300A 600A	95mm <sup>2</sup> -300A:B95 250mm <sup>2</sup> -600A:B250	B/S 铜排/ 螺纹孔 Busbar/ Screw	BK 黑色 Black	00	EGD-300A-B95-B/S-BK-00 EGD-300A-B95-B/S-OR-00 EGD-600A-B250-B/S-BK-01 EGD-600A-B250-B/S-OR-01
				OR 橙色 Orange		

### 尺寸图 Dimensions



## ET-8 芯防水信号连接器 ET-8 Pins Waterproof Signal Connector

- 额定电压: 300V
- 额定电流: 5A
- Rated voltage: 300V
- Rated current: 5A



### 技术数据 Technical Data

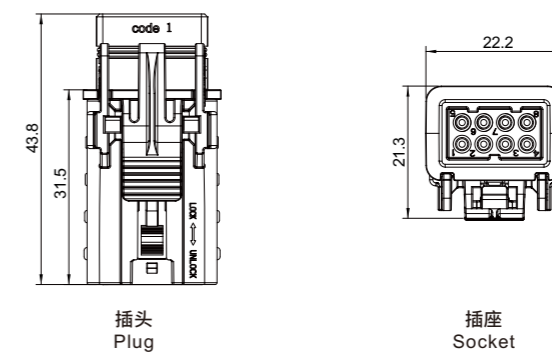


额定电压 Rated voltage	300V DC	面板厚度 Panel thickness	≤6mm
额定电流 Rated current	5A	堵头 Blocking plug	选配 Optional
绝缘电阻 Insulation resistance	≥200MΩ	连接方式 Connection method	压接 Crimp
接触电阻 Contact resistance	≤5mΩ	颜色 Color	灰色 Gray
耐电压 Withstanding voltage	AC1500V/1min	线径范围 Wire range(AWG/mm <sup>2</sup> )	22~18/0.3~0.8
运行温度 Operating temperature	-40°C~+105°C	环保 Environmental requirements	RoHS
防护等级 IP Class	IP67(Mated)	认证 Certification	TUV,UL

### 产品订购信息 Ordering information

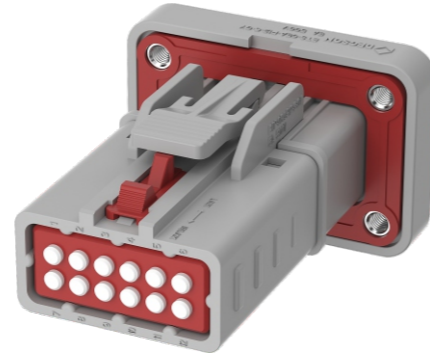
产品系列 Product series	产品类型 Type	额定电流 Rated current	接线数据 Cable quantity	接线方式 Connection	颜色 Color	系列号 Series	产品型号 Product model
ET	P 插头 Plug	05-5A	P08-8芯 P08-8Pins	C-压接 C-Crimp	GY-灰色 GY-Gray	01-键位1 01- keyway 1	ETP-05A-P08-C-GY-01 ETS-05A-P08-C-GY-01
	02-键位2 02- keyway 2					ETP-05A-P08-C-GY-02 ETS-05A-P08-C-GY-02 ETS-05A-P08-C-GY-03 (满足气密性要求) ETS-05A-P08-C-GY-04 (满足气密性要求)	

### 尺寸图 Dimensions



## ET-12 芯防水信号连接器 ET-12 Pins Waterproof Signal Connector

- 额定电压: 300V
- 额定电流: 5A
- Rated voltage: 300V
- Rated current: 5A



### 技术数据 Technical Data

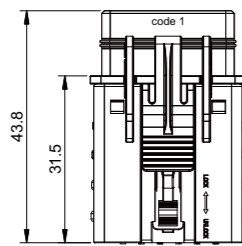


额定电压 Rated voltage	300V DC	面板厚度 Panel thickness	≤6mm
额定电流 Rated current	5A	堵头 Blocking plug	选配 Optional
绝缘电阻 Insulation resistance	≥200MΩ	连接方式 Connection method	压接 Crimp
接触电阻 Contact resistance	≤5mΩ	颜色 Color	灰色 Gray
耐电压 Withstanding voltage	AC1500V/1min	线径范围 Wire range(AWG/mm <sup>2</sup> )	22~18/0.3~0.8
运行温度 Operating temperature	-40°C~+105°C	环保 Environmental requirements	RoHS
防护等级 IP Class	IP67(Mated)	认证 Certification	TUV,UL

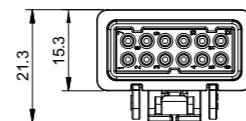
### 产品订购信息 Ordering information

产品系列 Product series	产品类型 Type	额定电流 Rated current	接线数据 Cable quantity	接线方式 Connection	颜色 Color	系列号 Series	产品型号 Product model
ET	P 插头 Plug	05-5A	P012-12芯 P012-12Pins	C-压接 C-Crimp	GY-灰色 GY-Gray	01-键位1 01- keyway 1	ETP-05A-P12-C-GY-01 ETS-05A-P12-C-GY-01 ETP-05A-P12-C-GY-02 ETS-05A-P12-C-GY-02
	02-键位2 02- keyway 2					ETS-05A-P12-C-GY-03 (满足气密性要求) ETS-05A-P12-C-GY-04 (满足气密性要求)	

### 尺寸图 Dimensions



插头  
Plug



插座  
Socket

## ET-24 芯防水信号连接器 ET-24 Pins Waterproof Signal Connector

- 额定电压: 300V
- 额定电流: 5A
- Rated voltage: 300V
- Rated current: 5A



### 技术数据 Technical Data

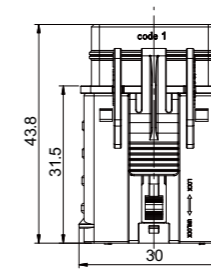


额定电压 Rated voltage	300V DC	面板厚度 Panel thickness	≤6mm
额定电流 Rated current	5A	堵头 Blocking plug	选配 Optional
绝缘电阻 Insulation resistance	≥200MΩ	连接方式 Connection method	压接 Crimp
接触电阻 Contact resistance	≤5mΩ	颜色 Color	灰色 Gray
耐电压 Withstanding voltage	AC1500V/1min	线径范围 Wire range(AWG/mm <sup>2</sup> )	22~18/0.3~0.8
运行温度 Operating temperature	-40°C~+105°C	环保 Environmental requirements	RoHS
防护等级 IP Class	IP67(Mated)	认证 Certification	TUV,UL

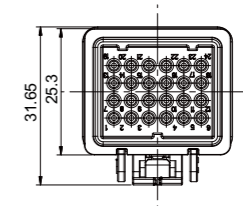
### 产品订购信息 Ordering information

产品系列 Product series	产品类型 Type	额定电流 Rated current	接线数据 Cable quantity	接线方式 Connection	颜色 Color	系列号 Series	产品型号 Product model
ET	P 插头 Plug	05-5A	P024-24芯 P024-24Pins	C-压接 C-Crimp	GY-灰色 GY-Gray	01-键位1 01- keyway 1	ETP-05A-P24-C-GY-01 ETS-05A-P24-C-GY-01 ETP-05A-P24-C-GY-02 ETS-05A-P24-C-GY-02
	02-键位2 02- keyway 2					ETS-05A-P24-C-GY-03 (满足气密性要求) ETS-05A-P24-C-GY-04 (满足气密性要求)	

### 尺寸图 Dimensions



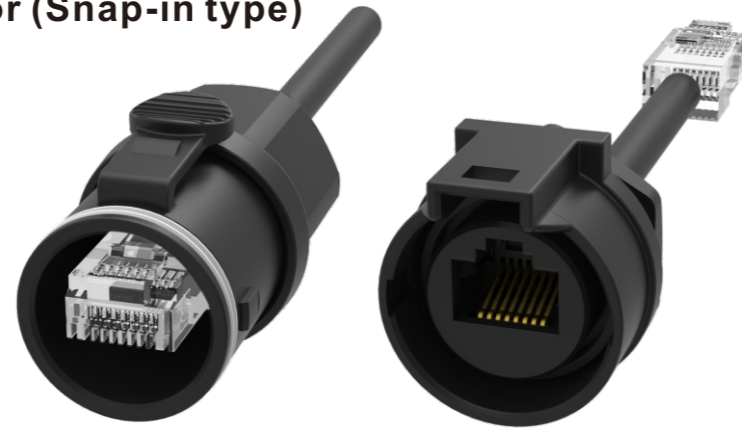
插头  
Plug



插座  
Socket

## RJ-通讯连接器 (卡扣) RJ-Communication Connector (Snap-in type)

- 额定电压: 30V
- 额定电流: 1A
- Rated voltage: 30V
- Rated current: 1A



### 技术数据 Technical Data

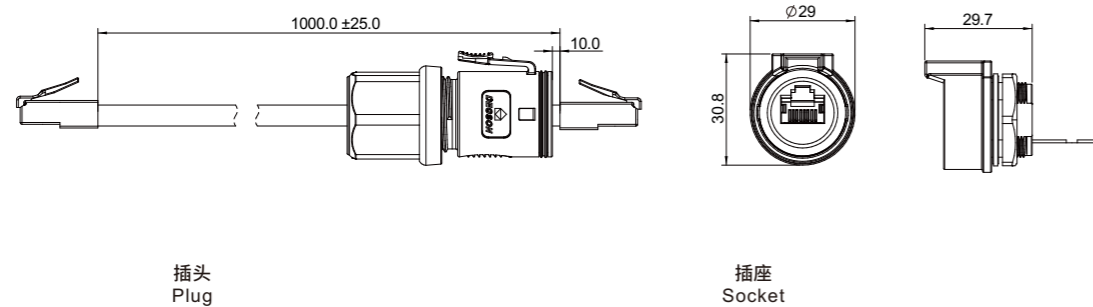


额定电压 Rated voltage	30V	锁合方式 Locking method	卡扣 Snap-in type
额定电流 Rated current	1A	防护等级 Degree of protection	IP67(对插) IP67(Mating)
绝缘电阻 Insulation resistance	≥500MΩ	耐电压 Withstanding voltage	500V AC
阻燃等级 Flame retardant rating	<0.25mΩ	机械寿命 Mechanical lifecycle	≥750
运行温度 Operating temperature	-40°C~+85°C	环保 Environmental requirements	RoHS

### 产品订购信息 Ordering information

产品系列 Series	产品类型 Type	材质 Material	传输速率 Transmission rate	锁合方式 Locking mode	前锁后锁 Front lock and back lock	直头/防水等级/线长 Straight/ protection level /wire length	产品型号 Product model
RJ	P 插头 Plug	P 塑料 Plastic	5E	C-螺纹锁合 Thread locking	F-前锁 F-Front lock	L/7/001	RJ-P-P5E-CFL7001-00ZH
	S 插座 Socket		5E	C-螺纹锁合 Thread locking	F-前锁 F-Front lock	L/7/A-X(长度定制) Length customization	RJ-S-P5E-CFL7A-X-00ZH

### 尺寸图 Dimensions



插头  
Plug

插座  
Socket

## RJ-通讯连接器 (螺纹) RJ-Communication Connector (Threaded)

- 额定电压: 125V
- 额定电流: 1.5A
- Rated voltage: 125V
- Rated current: 1.5A



### 技术数据 Technical Data

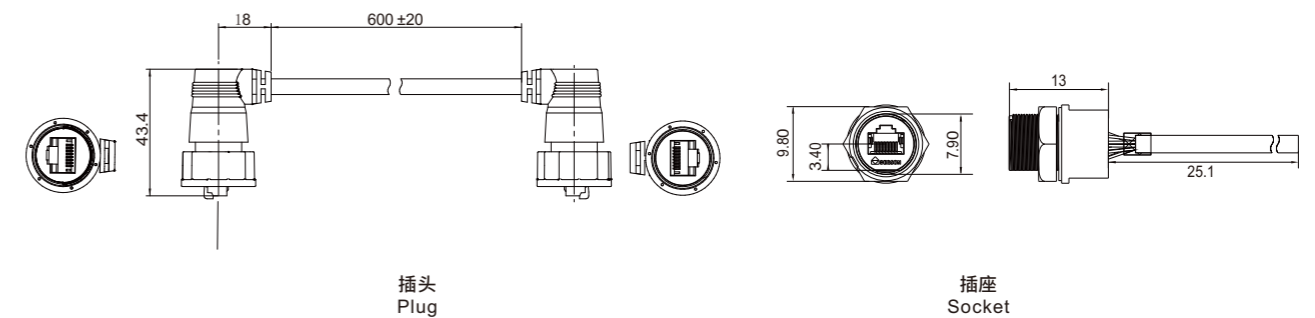


额定电压 Rated voltage	125V	锁合方式 Locking method	螺纹 Thread
额定电流 Rated current	1.5A	防护等级 Degree of protection	IP67(对插) IP67(Mating)
绝缘电阻 Insulation resistance	≥100MΩ	接触电阻 Contact resistance	≤5mΩ
阻燃等级 Flame retardant rating	UL94V-0	机械寿命 Mechanical lifecycle	100
运行温度 Operating temperature	-40°C~+85°C	环保 Environmental requirements	RoHS

### 产品订购信息 Ordering information

产品系列 Series	产品类型 Type	材质 Material	传输速率 Transmission rate	锁合方式 Locking mode	前锁后锁 Front lock and back lock	直头/防水等级/线长 Straight/ protection level /wire length	产品型号 Product model
RJ	PM 插头 Plug	P 塑料 Plastic	5	螺纹锁合 Thread locking	F-前锁 F-Front lock	L/7/E-X(长度定制) Length customization	PM-RJ45-2L-7E-600-C1078
	SD 插座 Socket		5	螺纹锁合 Thread locking	F-前锁 F-Front lock	L/7/E-X(长度定制) Length customization	SD-RJ45-SF7E-700-C1078

### 尺寸图 Dimensions



插头  
Plug

插座  
Socket

## 手动维护开关 MSD

- 额定电压: 1500V
- 额定电流: 350A
- Rated voltage: 1500V
- Rated current: 350A



### 技术数据 Technical Data

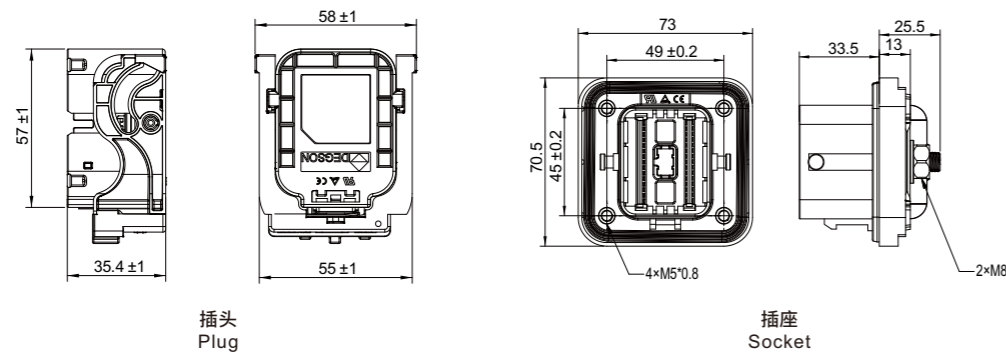


额定电压 Rated voltage	1500V	防水等级 Degree of protection	IP68(互配) IP68(Mated)
额定电流 Rated current	350A	认证 Certification	TUV,UL
绝缘电阻 Insulation resistance	5000MΩ MIN (dring) 200MΩ MIN (Rh95%)	运行温度 Operating temperture	-40°C~+125°C
接触阻抗 Contact impedance	<0.25mΩ	机械寿命 Mechanical lifecycle	≥100
耐电压 Withstanding voltage	电源接触点6800VAC Power contact point	环保 Environmental requirements	RoHS
—	—	开孔尺寸 Dimension	49mm*45mm
—	—	—	—

### 产品订购信息 Ordering information

产品系列 Product series	产品类型 Type	额定电流 Rated current	接线数据 Cable data	接线方式 Connection	颜色 Color	产品型号 Product model
MSD	P 插头 Plug	350A	D-缺省 D-Default	D-缺省 D-Default	OR-橙色 OR-Orange	EMP-350A-D-D-OR-00 EMP-350A-D-D-OR-HV(Including hvil pin)
	S 插座 Socket		120	S-Screw		EMS-350A-120-S-OR-00 EMS-350A-120-S-OR-HV(Including hvil pin)

### 尺寸图 Dimensions



## 手动维护开关 (带熔断器) FMSD (With fuse)

- 额定电压: 500V DC
- 额定电流: 200A
- Rated voltage: 500V DC
- Rated current: 200A



### 技术数据 Technical Data

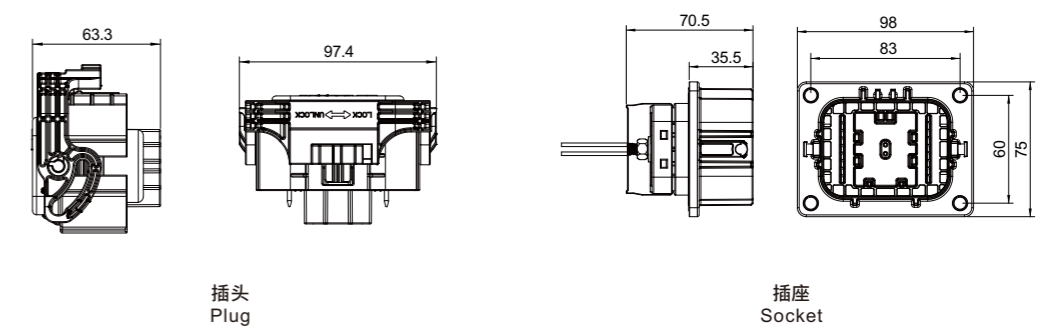


额定电压 Rated voltage	500V DC	拔出力 Withdrawal force	≤100N
额定电流 Rated current	200A	机械寿命 Mechanical lifecycle	100次
绝缘电阻 Insulation resistance	≥5000MΩ	连接方式 Connection method	压接 Crimp
接触电阻 Contact resistance	≤0.5mΩ	阻燃等级, 符合UL94 Flammability rating according to UL 94	V0
运行温度 Operating temperture	-40°C~+125°C	盐雾等级 Salt spray level	96H
防护等级 IP Class	IP67(Mated)	环保 Environmental requirements	RoHS
—	—	认证 Certification	TUV,UL

### 产品订购信息 Ordering information

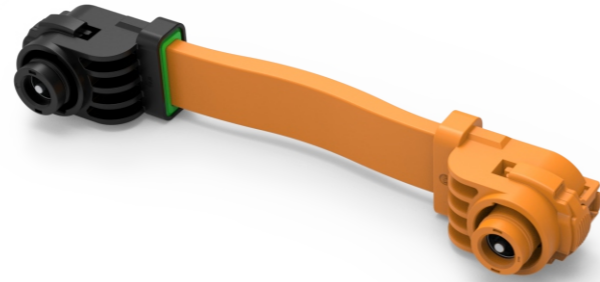
产品系列 Product series	产品类型 Type	额定电流 Rated current	额定电压 Rated current	熔断器规格 Fuse specification	产品型号 Product model
FMSD	P 插头 Plug	200A	500VDC	500A;500V	FMSD-P01-05A50(Bussmann) FMSD-P01-05B50(Sinofuse)
	S 插座 Socket				FMSD-S01-F-AL250

### 尺寸图 Dimensions



## S-ESPP 软铜排连接器 S-ESPP Flexible Copper Busbar Connector

- 额定电压: 1500V
- 额定电流: 400A/450A
- Rated voltage: 1500V
- Rated current: 450A



### 技术数据 Technical Data

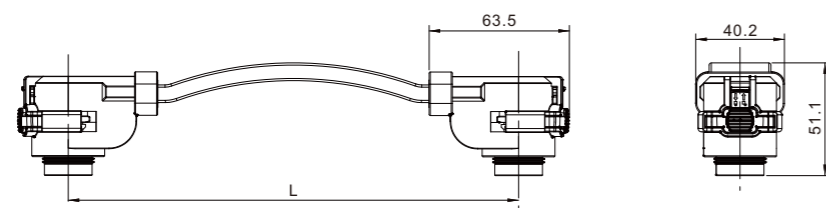


额定电压 Rated voltage	1500V DC	过电压等级 Overvoltage level	III
额定电流 Rated current	400A/450A	机械寿命 Mechanical lifecycle	100次
绝缘电阻 Insulation resistance	≥5000MΩ	阻燃等级, 符合UL94 Flammability rating according to UL 94	V0
接触电阻 Contact resistance	≤0.5mΩ	环保 Environment Items	RoHS2.0
耐电压 Withstanding voltage	6800V AC	认证 Certification	TUV,UL
运行温度 Operating temperature	-40°C~+125°C	—	—
防护等级 IP Class	IP67(Mated)	—	—

### 产品订购信息 Ordering information

产品系列 Product series	金属端子 Metal terminal	额定电流 Rated current	额定电压 Rated voltage	插头颜色 Plug color	产品型号 Product model
ESPP	φ12mm	400A/450A	1500VDC	BK 黑色 Black	S-ESPP-12-OR-0204-BK-A00A(450A)
				OR 橙色 Orange	S-ESPP-12-OR-0204-BK-A00B(400A)

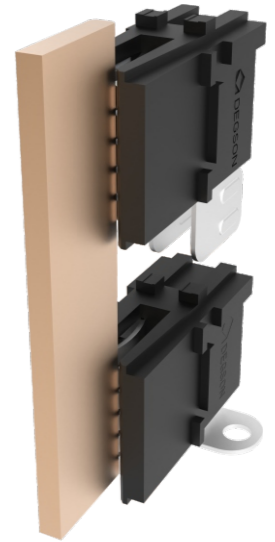
### 尺寸图 Dimensions



连接线长度和走线可定制  
Note: Connection length and routing can be customized

## EB-150A 多触点铜排连接器 EB-150A Multi Contact Busbar Connector

- 额定电压: 480V
- 额定电流: 150A
- Rated voltage: 480V
- Rated current: 150A



### 技术数据 Technical Data

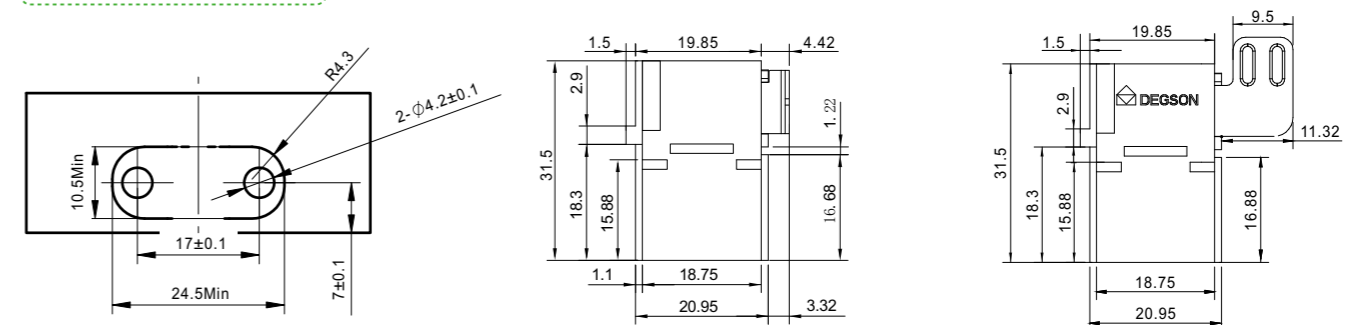


额定电压 Rated voltage	480V DC	耐电压 Withstanding voltage	1000V
额定电流 Rated current	150A	运行温度 Operating temperature	-40~+105
接触电阻 Contact resistance	≤0.5mΩ	盐雾 Salt spray	48H
颜色 Color	黑色 Black	阻燃等级 Flammability rating	UL94V-0
外壳材料 Housing method	高温热塑性材料 High Temperature thermoplastic material	接线点金属表面 Metal surface of the connection	镀锡 Tinning
接触件材料 Connector material	紫铜 Red copper	安装方式 Installation mode	焊接/螺钉 Solder/Screw
—	—	—	—

### 产品订购信息 Ordering information

产品系列 Product series	额定电流 Rated current	内部代码 Internal code	颜色 Color	系列号 Series	产品型号 Product model
EBD	150A	B35-D	BK 黑色 Black	00	EBD-150A-B35-D-BK-00
					EBD-150A-B35-D-BK-01

### 尺寸图 Dimensions



螺钉款  
Screw

焊接款  
Solder

## 基站储能母排连接解决方案

### Base station energy storage busbar connector solution

基站储能系统是通信基站的备用电源核心,主要承担应急备电与电网调节两大职能。当市电中断时,储能设备(如磷酸铁锂电池)立即为基站供电,确保通信不中断;同时通过参与电网调峰、利用峰谷电价差降低运营成本,并提升能源利用效率

The base station energy storage system is the core backup power source for communication base stations, primarily responsible for emergency backup power and grid regulation. When the mains power is interrupted, energy storage devices (such as lithium iron phosphate batteries) immediately supply power to the base station to ensure uninterrupted communication. At the same time, by participating in grid peak regulation and taking advantage of the difference in peak and valley electricity prices, operating costs are reduced and energy efficiency is improved.

#### 大电流,小能耗

产品直接连接铜排来载流,工作中能量损耗非常低,每个连接器的最大电阻只有0.2毫欧,能有效降低发热现象。

#### 内部空间使用

产品结构紧凑,便于在狭小空间内布线和安装。

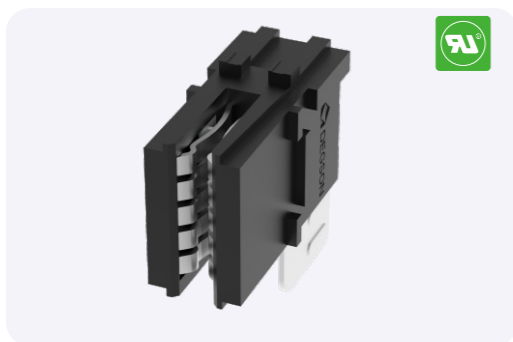
High current, low energy consumption.

The product directly connects to the copper busbar to carry current, resulting in very low energy loss during operation. The maximum resistance of each connector is only 0.2 milliohms, effectively reducing heat generation.

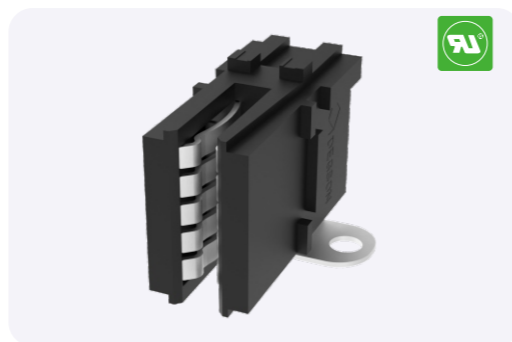
Internal space usage.

The product has a compact structure, making it easy to wire and install in confined spaces.

### 产品推荐 Recommendation



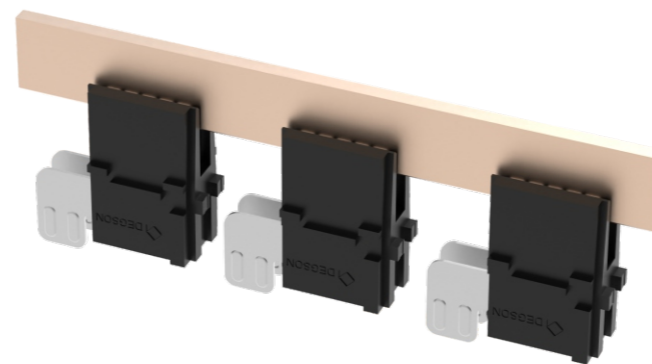
焊接款: BMS (电池管理系统)  
Solder: BMS (Battery Management System)



锁螺丝款: 充电桩内PDU (高压配电箱)  
Screw: PDU (high-voltage distribution box)

温度范围 Temperature range	安装方式 Installation mode	额定电流 Rated current	额定电压 Rated voltage
40 ~ +125°C	焊接/螺钉 solder/Screw	150A	480V DC

产品信息详见P82页  
Ref to page 82



### 产品可与 3.00 毫米和 3.18 毫米厚的母排片配插使用

- 高导电性铜合金, 提供卓越的电气性能
- PowerPlane 母排电源连接器提供了可直接在电路板和基板面即插即用的方案

### This product is compatible with 3.00mm and 3.18mm thick busbars.

- Highly conductive copper alloy provides excellent electrical performance.
- The PowerPlane busbar power connector provides a plug-and-play solution that can be installed directly on circuit boards and substrates.

## 移动储能连接解决方案

### Mobile energy storage connector solution

移动式储能系统是一种创新的能源储存解决方案,应用于移动充电站、便携式电源,为我们提供更加灵活和可移动的电力支持,主要由微逆、BMS和EMS系统构成,维护操作简单方便。近年来,移动储能广泛应用于应急调峰、物流配送、移动供电、无人机作业、户外休闲等场景。

Mobile energy storage system is an innovative energy storage solution applied to mobile charging stations and portable power sources, providing us with more flexible and mobile power support. It mainly consists of micro inverters, BMS, and EMS systems, with simple and convenient maintenance and operation. In recent years, mobile energy storage has been widely used in emergency peak shaving, logistics distribution, mobile power supply, drone operations, outdoor leisure and other scenarios.

- 省时:** 功率和信号的电气连接可通过一款产品同步进行
  - 省成本:** 减少功率和信号的单独采购费用
  - 省空间:** 集成一体式的结构,无需新增接口
  - 省心:** 功率和信号错层分布可配套BMS实现通讯功能
  - 省力:** 产品拔出时,可以使用把手助力或旋钮解锁
- Time saving: The electrical connection of power and signal can be synchronized through one product  
 Cost saving: Reduce separate procurement costs for power and signal  
 Space saving: Integrated structure without the need for additional interfaces  
 Worry free: Power and signal staggered distribution can be matched with BMS to achieve communication function  
 Effort saving: When the product is pulled out, it can be unlocked with the help of a handle or knob

## 产品推荐

Recommendation



EBBL圆形电源系列  
EBBL circular power series

额定电压 Rated voltage	认证 Certification	防护等级 Protection level	锁紧结构 Locking structure
1000V/DC	/	IP67	有 Yes

产品信息详见P27页  
Ref to page 27



EBBF系列  
EBBF series

额定电压 Rated voltage	认证 Certification	防护等级 Protection level	锁紧结构 Locking structure
500V/DC	/	IP67	/

产品信息详见P29页  
Ref to page 29



EBBH系列  
EBBH series

额定电压 Rated voltage	认证 Certification	防护等级 Protection level	锁紧结构 Locking structure
500V/DC	UL2734	IP67	有 Yes

产品信息详见P31页  
Ref to page 31



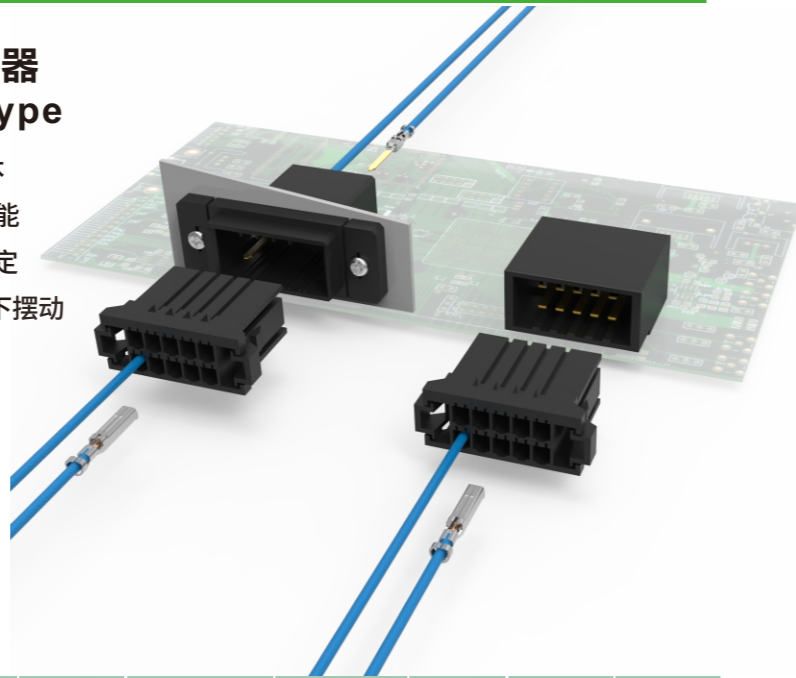
EBBRA系列  
EBBRA series

额定电压 Rated voltage	认证 Certification	防护等级 Protection level	锁紧结构 Locking structure
1000V/DC	TUV 61984	IP65	/

产品信息详见P33页  
Ref to page 33

## 储能BMS信号连接-压接型插拔连接器 BMS signal connection - crimp type

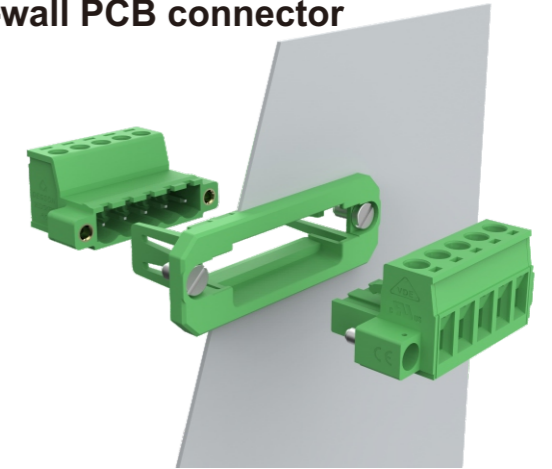
- ✔ 高可靠的压接连接方式,大幅度节省人工安装成本
- ✔ SNAP-LOCK安全锁扣结构,具有优异的抗震动性能
- ✔ 触点镀金工艺,接电阻小温升低,电气传输更加稳定
- ✔ 插座采用加强固定引脚设计,可抵抗电缆引起的上下摆动
- ✔ Reliable crimping connection method, greatly saving installation costs
- ✔ SNAP-LOCK safety lock structure, Excellent vibration resistance performance
- ✔ Contact gold plating process, low connection resistance, low temperature rise, more stable electrical transmission
- ✔ The socket can resist the upward and downward oscillation caused by the cable



图片 Picture	产品系列 Product serie	说明 Description	位数(P) Poles(P)	针距(mm) Pitch(mm)	电流(A) Rated current(A)	电压(V) Rated voltage(V)	连接方向 Connection direction	连接方式 Connection method	认证 Certification
	9EDGCP-31KDX-3.81	双排插头 Double Row Plugs	4-24	3.81	8	200	0°	压接连接 Crimp Connector	TUV
	9EDGCP-31RDX-3.81	双排插座-弯针 Double Row Sockets-Bent Pin	4-24	3.81	8	150	0°	压接连接 Crimp Connector	TUV
	9EDGCP-31KRMDX-3.81	双排反向插头(线对线) Double Row Reverse Plug(Wire to Wire)	4-24	3.81	8	150	90°	压接连接 Crimp Connector	TUV
	9EDGCP-32KDX-5.08	单排插头 Single Row Plug	2-12	5.08	8	400	0°	压接连接 Crimp Connector	/
	9EDGCP-32RSX-5.08	单排插座-弯针 Single Row Sockets-Bent Pin	2-12	5.08	8	400	0°	压接连接 Crimp Connector	/
	9EDGCP-32KDX-5.08	双排插头 Double Row Plugs	4-24	5.08	8	400	0°	压接连接 Crimp Connector	TUV
	9EDGCP-32KRMDX-5.08	双排反向插头 Double Row Reverse Plug	4-24	5.08	8	400	90°	压接连接 Crimp Connector	TUV
	9EDGCP-32RDX-5.08	双排插座-弯针 Double Row Sockets-Bent Pin	4-24	5.08	8	400	0°	压接连接 Crimp Connector	TUV
	9EDGCP-31T01	插头压接端子 Crimp terminal for plug	1	/	8	/	/	/	/
	9EDGCP-31RT01	反向插头压接端子 Reverse Plug Crimp Terminal Blocks	1	/	8	/	/	/	/

## 信号传输连接 - 插拔式穿墙连接器 Signal transmission connection - Through-wall PCB connector

- ✔ 采用螺钉和弹簧接线方式,适应多种场合
- ✔ 支持多角度进线方向,应用广泛
- ✔ 两侧螺钉法兰固定构成抗振连接,提升信号传输稳定性
- ✔ Adopt screw and spring connection, adapt to a variety of occasions
- ✔ Support multi-angle line direction, widely used
- ✔ The screw flanges on both sides are fixed to form anti-vibration connection and improve the stability of signal transmission

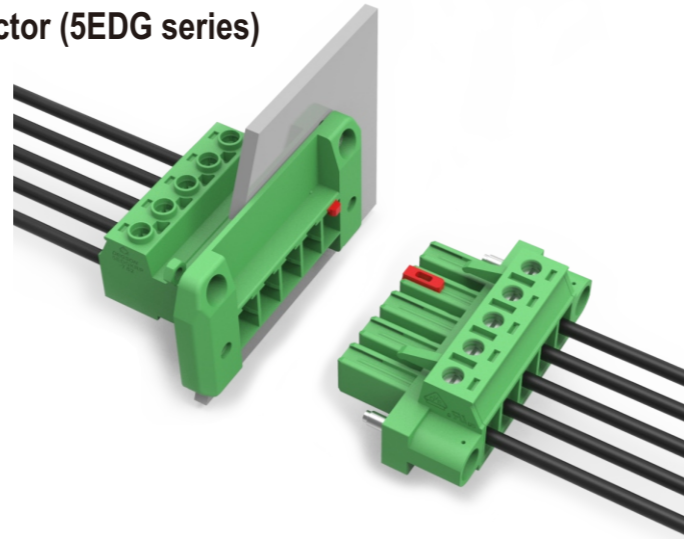


图片 Picture	产品系列 Product serie	说明 Description	位数(P) Poles(P)	针距(mm) Pitch(mm)	电流(A) Rated current(A)	电压(V) Rated voltage(V)	连接方向 Connection direction	连接方式 Connection method	认证 Certification
	15CDGV-3.81	带螺纹法兰 穿板式连接 Threaded flange Wall connection	2-24	3.81	7 IEC 8 UL (B, D)	250 IEC 300 UL (B, D)	0°	焊接或 插片式连接 Soldered or splined connection	UL
	15CDG-3.81	穿板式面板框架 Bulkhead panel frame	2-16	3.81	/	/	0°	法兰连接 Flange connection	/
	15EDGKRP-3.81	配套15CDG-3.81可 实现穿墙连接 With 15CDG-3.81 for wall connection	2-16	3.81	7 IEC 8 UL (B)	250 IEC 300 UL (B)	0°	带夹线体 的螺钉连接 Screw connection with clamp wire	UL
	15EDGKM-3.81	带螺钉法兰 With threaded flange	2-24	3.81	7 IEC 8 UL (B, D)	250 IEC 300 UL (B, D)	0°	带夹线体 的螺钉连接 Screw connection with clamp wire	VDE、UL
	15EDGKDM-3.81	带螺钉法兰 With threaded flange	2-24	3.81	12 IEC 8 UL (B,C,D)	250 IEC 300 UL (B, C, D)	0°	直插式 弹簧连接 Push-in spring connection	VDE、UL
	2CDGB-5.08	带螺纹法兰 穿板式连接 Threaded flange Wall connection	2-22	5.08	12 IEC 15 UL (B) 10 UL (D)	400 IEC 300 UL (B) 300 UL (D)	0°	焊接或 插片式连接 Soldered or splined connection	UL
	2CDG-5.08	穿板式面板框架 Bulkhead panel frame	2-22	5.08	/	/	0°	法兰连接 Flange connection	/
	2EDGKRP-5.08	配套2CDG-5.08可 实现穿墙连接 With 2CDG-5.08 for wall connection	2-22	5.08	20 IEC 15 UL (B) 10 UL (D)	320 IEC 300 UL (B) 300 UL (D)	0°	带夹线体 的螺钉连接 Screw connection with clamp wire	UL
	2EDGKDRP-5.08	配套2CDG-5.08可 实现穿墙连接 With 2CDG-5.08 for wall connection	2-16	5.08	20 IEC 10 UL (B, D)	320 IEC 300 UL (B, D)	0°	直插式 弹簧连接 Push-in spring connection	/
	2EDGKM-5.08	带螺钉法兰 With threaded flange	2-22	5.08	20 IEC 15 UL (B) 10 UL (D)	320 IEC 300 UL (B) 300 UL (D)	0°	带夹线体 的螺钉连接 Screw connection with clamp wire	VDE、UL
	2EDGKDM-5.08	带螺钉法兰 With threaded flange	2-24	5.08	20 IEC 10 UL (B, D)	320 IEC 300 UL (B, D)	0°	直插式 弹簧连接 Push-in spring connection	VDE、UL

## 功率连接-螺钉插拔式连接器(5EDG系列)

### Power connection - screw type PCB connector (5EDG series)

- ✓ 采用螺钉接线方式,适应多种场合
- ✓ 支持两种进线角度,应用广泛
- ✓ 支持多种连接方式:线对线、线对板、法兰和不带法兰固定
- ✓ Adopting screw wiring method, suitable for various occasions
- ✓ Supports two inlet angles and is widely used
- ✓ Supports multiple connection methods: line to line, line to PCB, flange and fixed without flange

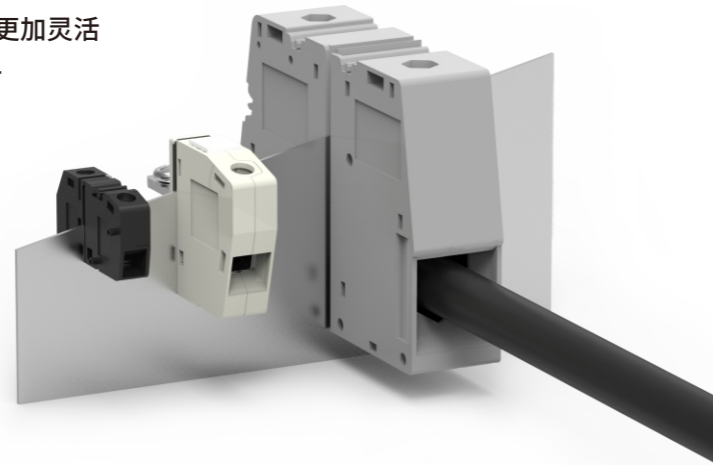


图片 Picture	产品系列 Product serie	说明 Description	位数(P) Poles(P)	针距(mm) Pitch(mm)	电流(A) Rated current(A)	电压(V) Rated voltage(V)	连接方向 Connection direction	连接方式 Connection method	认证 Certification
	5EDGK-7.62 5EDGKM-7.62	不带法兰 带螺钉法兰 Without flange Flange with screw	2-12	7.62	32 IEC 30 UL (B, C) 10 UL (D)	400 IEC 300 UL (B, C) 300 UL (D)	0°	带夹线体的 螺钉连接 Screw connection with clamp wire	VDE、 UL
	5EDGKRP-7.62	穿板式连接 Through-wall connection	2-12	7.62	20 IEC 35 UL (B, C) 5 UL (D)	630 IEC 300 UL (B, C) 600 UL (D)	0°	带夹线体的 螺钉连接 Screw connection with clamp wire	/
	5CDG-7.62	穿板式连接 Through-wall connection	2-12	7.62	32 IEC 30 UL (B, C)	400 IEC 300 UL (B, C)	90°	焊接或插片式连接 Soldered or splined connection	UL
	5EDGRC-7.62 5EDGRM-7.62	不带法兰 带螺钉法兰 Without flange Flange with screw	2-12	7.62	32 IEC 30 UL (B, C) 10 UL (D)	400 IEC 300 UL (B, C) 300 UL (D)	0°	/	VDE、 UL
	5EDGVC-7.62 5EDGVM-7.62	不带法兰 带螺钉法兰 Without flange Flange with screw	2-12	7.62	32 IEC 30 UL (B, C) 10 UL (D)	400 IEC 300 UL (B, C) 300 UL (D)	90°	/	VDE、 UL
	5EDGKH-7.62 5EDGKHM-7.62	不带法兰 带螺钉法兰 Without flange Flange with screw	2-12	7.62	41 IEC 41 UL (B, C) 5 UL (D)	1000 IEC 600 UL (B, C) 600 UL (D)	0°	带夹线体的 螺钉连接 Screw connection with clamp wire	UL
	5EDGKHR-7.62	反向插头 Reverse plug	2-7	7.62	41 IEC 41 UL (B, C) 5 UL (D)	1000 IEC 600 UL (B, C) 600 UL (D)	0°	带夹线体的 螺钉连接 Screw connection with clamp wire	UL
	5EDGRHC-7.62 5EDGRHM-7.62	不带法兰 带螺钉法兰 Without flange Flange with screw	2-12	7.62	41 IEC 41 UL (B) 41 UL (C) 10 UL (D)	630 IEC 300 UL (B) 150 UL (C) 300 UL (D)	0°	波峰焊 Wave soldering	UL
	5EDGVHC-7.62 5EDGVHM-7.62	不带法兰 带螺钉法兰 Without flange Flange with screw	2-12	7.62	41 IEC 41 UL (B, C) 5 UL (D)	630 IEC 300 UL (B, C) 600 UL (D)	90°	Wave soldering	UL

图片 Picture	产品系列 Product serie	说明 Description	位数(P) Poles(P)	针距(mm) Pitch(mm)	电流(A) Rated current(A)	电压(V) Rated voltage(V)	连接方向 Connection direction	连接方式 Connection method	认证 Certification
	5EDGA-7.62 5EDGAM-7.62	不带法兰 带螺钉法兰 Without flange Flange with screw	2-12	7.62	41 IEC 41 UL (B, C) 5 UL (D)	630 IEC 300 UL (B, C) 600 UL (D)	0°	Wave soldering	UL
	5EDGB-7.62 5EDGBM-7.62	不带法兰 带螺钉法兰 Without flange Flange with screw	2-12	7.62	41 IEC 41 UL (B, C) 5 UL (D)	630 IEC 300 UL (B, C) 600 UL (D)	90°	Wave soldering	UL
	5EDGK-10.16 5EDGKM-10.16	不带法兰 带螺钉法兰 Without flange Flange with screw	2-8	10.16	57 IEC 52 UL (B, C) 10 UL (D)	600 IEC 600 UL (B, C) 300 UL (D)	0°	带夹线体的 螺钉连接 Screw connection with clamp wire	VDE、 UL
	5EDGRC-10.16 5EDGRM-10.16	不带法兰 带螺钉法兰 Without flange Flange with screw	2-8	10.16	57 IEC 52 UL (B, C) 5 UL (D)	600 IEC 300 UL (B, C) 600 UL (D)	0°	Wave soldering	VDE、 UL
	5EDGVC-10.16 5EDGVM-10.16	不带法兰 带螺钉法兰 Without flange Flange with screw	2-8	10.16	57 IEC 52 UL (B, C) 5 UL (D)	600 IEC 300 UL (B, C) 600 UL (D)	90°	Wave soldering	VDE、 UL
	5EDG-STD-10.16	面板固定, 90°转接 Panel fixing, 90°transfer	2-12	10.16	57 IEC 52 UL (B, C)	1000 IEC 600 UL (B, C)	0°	带夹线体的 螺钉连接 Screw connection with clamp wire	/
	5EDGKG-10.16	带卡锁 With lock	2	10.16	57 IEC 52 UL (B, C) 5 UL (D)	600 IEC 600 UL (B, C) 600 UL (D)	0°	带夹线体的 螺钉连接 Screw connection with clamp wire	UL
	5EDGRG-10.16	带卡锁 With lock	2	10.16	57 IEC 52 UL (B, C) 5 UL (D)	600 IEC 600 UL (B, C) 600 UL (D)	0°	Wave soldering	UL
	5EDGKD-7.62 5EDGKDM-7.62	不带法兰 带螺钉法兰 Without flange Flange with screw	2-14	7.62	41 IEC 35 UL (B)	1000 IEC 600 UL (B)	0°	直插式 弹簧连接 Push-in	/
	5EDGKDG-7.62	带助推 With push rod	2-12	7.62	41 IEC 35 UL (B, C)	1000 IEC 600 UL (B, C)	0°	直插式 弹簧连接 Push-in	/
	5EDGRN-7.62	带助推 With push rod	2-12	7.62	41 IEC 41 UL (B, C) 10 UL (D) 41 UL (F)	630 IEC 300 UL (B, D) 150 UL (C) 600 UL (F)	0°	Wave soldering	UL

## DGH系列穿墙式连接器 DGH series through-wall terminal blocks

- ✔ 卡板式安装结构, 可适配1-5mm厚度面板, 安装更加灵活
- ✔ 电流覆盖范围32A-232A, 满足客户不同功率设计
- ✔ 传统的螺钉接线技术, 接线牢固, 接线范围大
- ✔ Through-wall mounted, adaptable to 1-5mm thick panels for more flexible installation
- ✔ Current range 32A-232A, meeting the needs of customers with different power designs
- ✔ Screw wiring technology, secure wiring, and wide wiring range

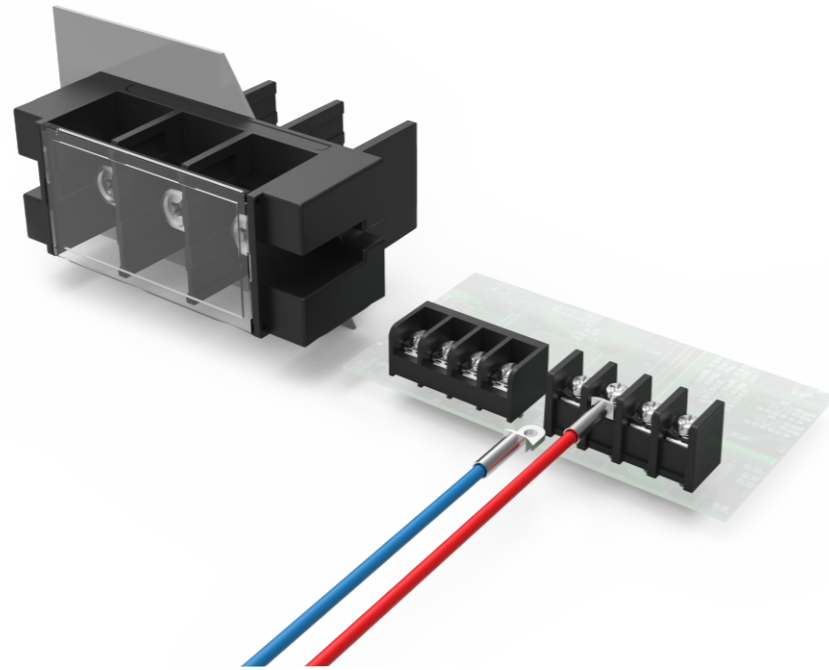


图片 Picture	产品系列 Product serie	说明 Description	位数(P) Poles(P)	电流(A) Rated current(A)	电压(V) Rated voltage(V)	连接方向 Connection direction	连接方式 Connection method	认证 Certification
	DG4	绝缘外壳卡接安装 The insulation shell is clamped and installed	1位,可并排安装 Bit, can be installed side by side	24 IEC 20 UL (B) 10 UL (D)	400 IEC 300 UL (B) 300 UL (D)	90°	带夹线体的 螺钉连接 Screw connection with clamp wire	/
	DGH4	/	1位,可并排安装 Bit, can be installed side by side	41 IEC 30 UL (B, C) 10 UL (D)	400 IEC 300 UL (B, C) 300 UL (D)	0°	带夹线体的 螺钉连接 Screw connection with clamp wire	UL
	DGV4	/	1位,可并排安装 Bit, can be installed side by side	41 IEC 30 UL (B)	400 IEC 300 UL (B)	-90°	带夹线体的 螺钉连接 Screw connection with clamp wire	UL
	DGP4	通过螺钉或卡接件固定于面板上 By screw or clamp attachment fixed on the panel	1位,可并排安装 Bit, can be installed side by side	32 IEC 30 UL (B) 30 UL (C) 10 UL (D)	800 IEC 300 UL (B) 150 UL (C) 300 UL (D)	0°	带夹线体的 螺钉连接 Screw connection with clamp wire	VDE、 UL
	DGV10	/	1位,可并排安装 Bit, can be installed side by side	57 IEC 65 UL (B) 65 UL (C) 10 UL (D)	400 IEC 300 UL (B) 150 UL (C) 300 UL (D)	-90°	带夹线体的 螺钉连接 Screw connection with clamp wire	UL

图片 Picture	产品系列 Product serie	说明 Description	位数(P) Poles(P)	电流(A) Rated current(A)	电压(V) Rated voltage(V)	连接方向 Connection direction	连接方式 Connection method	认证 Certification
	DGH10	/	1位,可并排安装 Bit, can be installed side by side	76 IEC 65 UL (B, C) 10 UL (D)	500 IEC 300 UL (B, C) 300 UL (D)	0°	带夹线体的 螺钉连接 Screw connection with clamp wire	
	DGH16	/	1位,可并排安装 Bit, can be installed side by side	76 IEC 85 UL (B, C) 5 UL (D)	500 IEC 600 UL (B, C) 600 UL (D)	0°	带夹线体的 螺钉连接 Screw connection with clamp wire	UL
	DGP16	/		76 IEC 85 UL (B, C) 5 UL (D)	500 IEC 600 UL (B, C) 600 UL (D)	0°	带夹线体的 螺钉连接 Screw connection with clamp wire	UL
	DGH25	/		101 IEC 115 UL (B, C) 5 UL (D)	500 IEC 600 UL (B, C) 600 UL (D)	0°	带夹线体的 螺钉连接 Screw connection with clamp wire	UL
	DGP25	/		101 IEC 115 UL (B, C) 5 UL (D)	500 IEC 600 UL (B, C) 600 UL (D)	0°	带夹线体的 螺钉连接 Screw connection with clamp wire	UL
	DGH50	/	1位,可并排安装 Bit, can be installed side by side		1000 IEC 600 UL (B, C) 600 UL (D)	0°	带夹线体的 螺钉连接 Screw connection with clamp wire	UL
	DGH95	/		232 IEC 230 UL (B)	1000 IEC 600 UL (B)	0°	带夹线体的 螺钉连接 Screw connection with clamp wire	/
	DGP95	/	1位,可并排安装 Bit, can be installed side by side	232 IEC 230 UL (B)	1000 IEC 600 UL (B)	0°	带夹线体的 螺钉连接 Screw connection with clamp wire	/
	ES-K-350	正负极安装防呆 Fool-proof	1位 Bit	350	1500 IEC 1000 UL	0°	带垫片的 螺钉连接 Screw connection with gasket	/

## 栅栏穿墙端子 Barrier Terminals

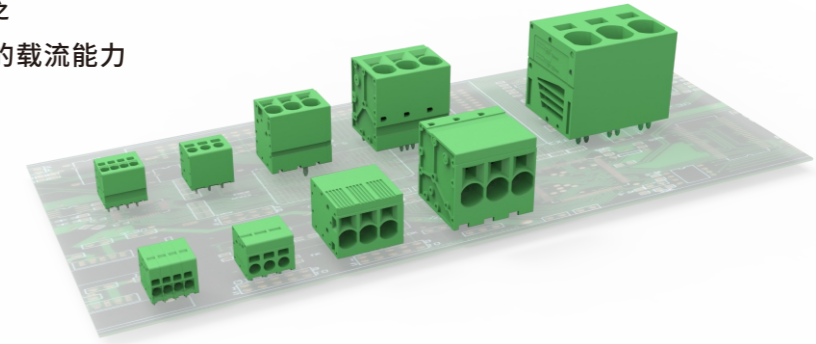
- ✓ 螺钉锁紧,可承受大扭力,接线牢固
- ✓ 产品线齐全,有焊板产品和线对线产品
- ✓ 提供一体式/可插拔式的双层结构,节省空间
- ✓ 安装方式有焊板、面板和导轨安装
- ✓ 最大电压可做到1000V,最大电流可做到500A
- ✓ Screw locking, can withstand large torque, reliable wiring.
- ✓ The product line is complete, including welding board products and wire-to-wire products.
- ✓ Provide one-piece/pluggable double-layer structure to save space.
- ✓ The installation methods include welding plate, panel and rail installation.
- ✓ The maximum voltage can reach 1000V, and the maximum current can reach 500A.



图片 Picture	产品系列 Product serie	说明 Description	间距(mm) Pitch(mm)	位数(P) Poles(P)	接线容量(AWG) Cross section	电流(A) Rated current(A)	电压(V) Rated voltage(V)	扭力 Torsion	连接方式 Connection method	认证 Certification
	DG30-A	/	13	2-10	28-10	30 UL(B,D)	300 UL(B,D)	M4 1.2N.m	面板安装 Panel installation	UL
	DG40-A	/	13	2-10	28-10	40 UL(B,D)	600 UL(B,D)	M4 1.2N.m	面板安装 Panel installation	CE
	DG75-A	/	16	1-10	22-4	75 UL(B,C) 5 UL(D)	600 UL(B,C,D)	M6 5.0N.m	面板安装 Panel installation	UL
	DG100-A	/	21	1-10	10-2	100 UL(B,C) 5 UL(D)	600 UL(B,C,D)	M6 5.0N.m	面板安装 Panel installation	UL
	DG150-A	/	27	2-5	6-1/0	150 UL(E)	1000 UL(E)	M8 5.6N.m	面板安装 Panel installation	UL
	DG200-A	/	27	2-5	6-3/0	200 UL(E)	1000 UL(E)	M8 5.6N.m	面板安装 Panel installation	UL
	DG250-A	/	27	2-10	6-250kcmil	250 UL(E)	1000 UL(E)	M8 6.0N.m	面板安装 Panel installation	/
	DG300-A	/	27	2-10	6-300kcmil	300 UL(E)	1000 UL(E)	M10 6.0N.m	面板安装 Panel installation	UL
	DG100D-A	/	21	02P,04P	10-2	120 UL(B,C) 5 UL(D)	600 UL(B,C,D)	M6 5.0N.m	面板安装 Panel installation	UL
	DG200D-A	/	27	02P,04P	2-3/0	200 UL(B,C) 5 UL(D)	600 UL(B,C,D)	M8 6.0N.m	面板安装 Panel installation	/

## PCS大功率连接 - 直插固定式连接器 (DG271系列) PCS Power Connectors-Push-in terminal blocks (DG271 Series)

- ✓ 采用PUSH-IN连接技术,适用高性能的紧凑型设备
- ✓ 全系列间距产品,支持两种进线角度,应用广泛
- ✓ 最大35mm<sup>2</sup> (2 AWG) 的接线容量,高达125A的载流能力
- ✓ PUSH-IN spring connection technology, for high performance compact equipment
- ✓ Full range of pitch products, support two wiring angles, wide application
- ✓ Cross section up to 35mm<sup>2</sup> (2 AWG), rated current up to 125A

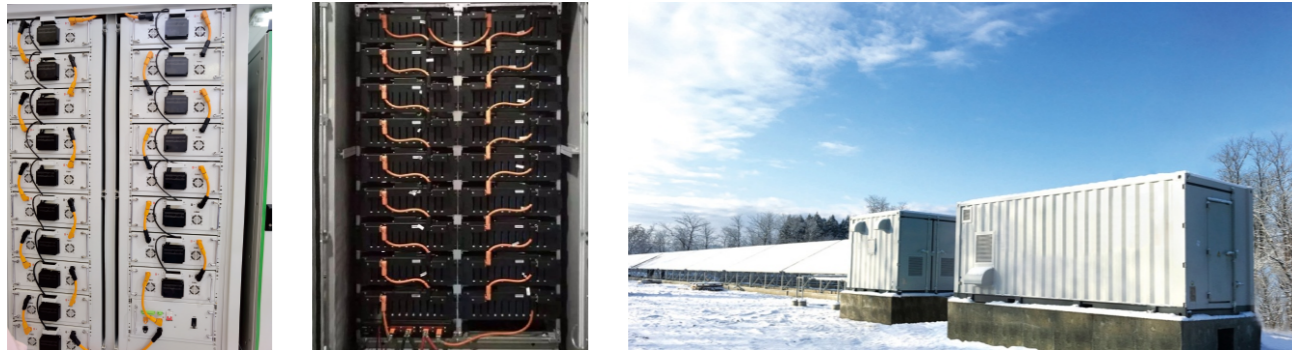


图片 Picture	产品系列 Product serie	说明 Description	位数(P) Poles(P)	针距(mm) Pitch(mm)	电流(A) Rated current(A)	电压(V) Rated voltage(V)	连接方向 Connection direction	连接方式 Connection method	认证 Certification
	DG271V-3.5	可用一字螺丝刀 进行操作 Flat-head screwdriver operation	1-24	3.5	17.5 IEC 10 UL (B)	200 IEC 300 UL (B)	90°	直插式 弹簧连接 Push-in spring connection	UL
	DG271R-3.5	可用一字螺丝刀 进行操作 Flat-head screwdriver operation	1-24	3.5	17.5 IEC 10 UL (B)	200 IEC 300 UL (B)	0°	直插式 弹簧连接 Push-in spring connection	UL
	DG271V-5.0	可用一字螺丝刀 进行操作 Flat-head screwdriver operation	1-24	5.0	24 IEC 20 UL (B) 10 UL (D)	400 IEC 300 UL (B) 300 UL (D)	90°	直插式 弹簧连接 Push-in spring connection	VDE、UL
	DG271R-5.0	可用一字螺丝刀 进行操作 Flat-head screwdriver operation	1-24	5.0	24 IEC 20 UL (B) 10 UL (D)	400 IEC 300 UL (B) 300 UL (D)	0°	直插式 弹簧连接 Push-in spring connection	VDE、UL
	DG271V-7.5	可提供带Z形针脚的 型号, 适用于600 V UL场合 With Z-shaped pin for 600V UL applications	1-24	7.5	41 IEC 40 UL (B) 40 UL (C) 5 UL (D)	1000 IEC 600 UL (B) 600 UL (C) 600 UL (D)	90°	直插式 弹簧连接 Push-in spring connection	VDE、UL
	DG271R-7.5	可提供带Z形针脚的 型号, 适用于600 V UL场合 With Z-shaped pin for 600V UL applications	1-24	7.5	41 IEC 40 UL (B) 40 UL (C) 5 UL (D)	1000 IEC 600 UL (B) 600 UL (C) 600 UL (D)	0°	直插式 弹簧连接 Push-in spring connection	VDE、UL
	DG271V-10.0	/	2-24	10.0	76 IEC 70 UL (B, C) 5 UL (D)	1000 IEC 600 UL (B, C) 600 UL (D)	90°	直插式 弹簧连接 Push-in spring connection	VDE、UL
	DG271R-10.0	/	2-24	10.0	76 IEC 70 UL (B, C) 5 UL (D)	1000 IEC 600 UL (B, C) 600 UL (D)	0°	直插式 弹簧连接 Push-in spring connection	VDE、UL
	DG271V-15.0	/	1-6	15.0	125 IEC 101 UL (B, C)	1000 IEC 600 UL (B, C)	90°	直插式 弹簧连接 Push-in spring connection	UL
	DG271V-20.0	可用一字螺丝刀 进行操作 Flat-head screwdriver operation	2-6	20.0	76 IEC 70 UL (B)	1000 IEC 600 UL (B)	90°	直插式 弹簧连接 Push-in spring connection	VDE、UL
	DG271V-30.0	可用一字螺丝刀 进行操作 Flat-head screwdriver operation	2-16	30.0	76 IEC 70 UL (B)	1000 IEC 600 UL (B)	90°	直插式 弹簧连接 Push-in spring connection	VDE、UL

### 线束定制 Wire harness customization

储能行业应用的线缆材质有XLPE,PVC, 硅胶等, 综合电缆性能、柔软度、价格等因素来看, 以XLPE材质的电缆应用为主。从电缆性能上看, 多数要求耐温90°以上, 电压1500V左右。另一方面, 低压设备对线缆电压要求低, 一般在600~1000V左右。DEGSON规划了标准线缆库存, 有专业的线束加工能力, 为行业提供安全、快捷的连接!

Energy storage industry cable materials used in XLPE, PVC, silicone, etc., comprehensive cable performance, flexibility, price and other factors, to XLPE material cable applications. From the cable performance point of view, most of the requirements of the temperature above 90 °, voltage 1500V or so. On the other hand, low-voltage equipment requires low cable voltage, generally around 600~1000V. Degson has planned a standard cable inventory, with professional wire harness processing capabilities, to provide safe and fast connections for the industry!



### 推荐线缆 Recommended cable

适用产品 Applicable products	截面积 Sectional area	材质 Material	电压 Voltage	认证 Certification	料号 Part number	颜色 Color
350A	120mm <sup>2</sup>	XLPE	3000V	UL3817	92105001949	橙色 Orange
300A	95mm <sup>2</sup>	PVC	600V	UL1015	92105000782	黑色 Black
300A	95mm <sup>2</sup>	XLPE	3000V	UL758/1581	92105001063	黑色 Black
300A	95mm <sup>2</sup>	EVR	1500V	GB/T12528	92105001967	橙色 Orange
250A	70mm <sup>2</sup>	XLPE	3000V	UL3817	92105001512	橙色 Orange
200A	50mm <sup>2</sup>	XLPE	3000V	UL758/1581	92105000981	橙色 Orange
150A	35mm <sup>2</sup>	XLPE	3000V	UL758/1581	92105001260	橙色 Orange
120A	25mm <sup>2</sup>	XLPE	1500V	/	92105001500	黑色 Black
120A	25mm <sup>2</sup>	PVC	600V	UL1015	92105001066 (推荐) (Recommended)	黑色 Black
120A	25mm <sup>2</sup>	PVC	600V	UL1015	92105001257 (推荐) (Recommended)	红色 Red
120A	25mm <sup>2</sup>	硅胶(Silicon)	600V	/	92105000758	橙色 Orange
120A	25mm <sup>2</sup>	XLPE	3000V	UL3817	92105001262	橙色 Orange
100A	16mm <sup>2</sup>	XLPE	3000V	UL3817	92105001264	橙色 Orange
70A	10mm <sup>2</sup>	PVC	600V	UL1015	92105001061	黑色 Black
70A	10mm <sup>2</sup>	XLPE	3000V	UL3817	92105001058	黑色 Black
50A	6mm <sup>2</sup>	PVC	600V	UL1015	92105001062	黑色 Black
50A	6mm <sup>2</sup>	XLPE	3000V	UL3817	92105001269	黑色 Black

### 客制电缆组件 Value added service



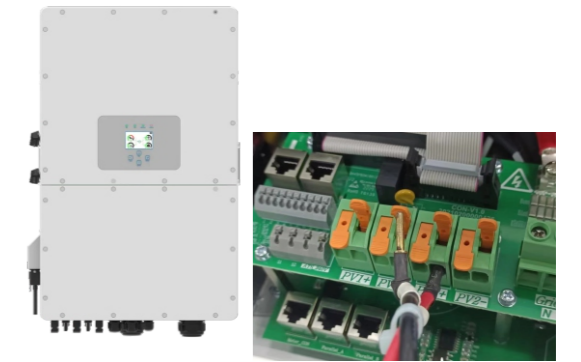
### 应用案例 Application Cases

碳达峰碳中和的背景下, 可再生能源的占比持续增加, 其中最具有代表性的是风能和太阳能, 由于太阳能和风能具有天然的不稳定性, 需要配套储能才能实现稳定的并网运行。DEGSON作为连接器的专业制造商, 聚焦技术创新, 以专业诠释卓越, 专门为新能源行业量身打造出全新的电气连接解决方案, 包括用于电流传输的ES-单芯大电流系列, PV-直流交流系列, 用于信号传输的ET-高防护连接器系列, 用于功率端连接的插拔式5EDG系列, 在信号、数据及电力传输领域我们可以为客户提供安全、便捷、可靠的连接!

Under the background of carbon peaking and carbon neutrality, the proportion of renewable energy continues to increase. the most representative is wind and solar energy. Due to the natural instability of solar and wind energy, the supporting energy storage system is required to achieve stability grid-connected operation. As a professional manufacturer of connectors, DEGSON focus on technological innovation, interpret excellence with professionalism, and has developed a new electrical connection solution for the new energy industry, including ESS High Protection Connector series PV-DC /AC series, High Protection Multi-Pin Communication Connector and plug-in 5EDG series for power end connection. We can provide safe, convenient and reliable connection in the field of signal, data and power transmission!



储能系统应用- 5EDG系列  
ESS Application - 5EDG Series



储能逆变器应用- DG2206系列  
ESS Inverter Application - DG2206 series



工商储Pack应用- 单芯大电流  
Pack Application  
- ESS High Protection Connector



PCS应用-ET系列通讯信号连接器  
PCS Application  
- High Protection Communication Connector



光伏逆变器应用- PV-交流连接器  
Photovoltaic inverter application - PV- AC connector



光伏逆变器应用- PV-直流连接器  
Photovoltaic inverter application - PV- DC connector