

## OUTSIDE / ROOM TEMPERATURE SENSOR

TSR-Series

### FEATURES

- Wall mounted
- Small design housing
- Easy connecting
- Bottom or back cable entry
- Complete mounting set
- Splash proof
- UV resistant

### APPLICATIONS

- HVAC
- Room sensing
- Outside sensing
- Building controls



### GENERAL INFORMATION

The Tasserion outside / room sensor measures air temperature indoor or outdoor. The small sensor has a solid construction with a white UV resistant plastic cover to minimize solar influence.

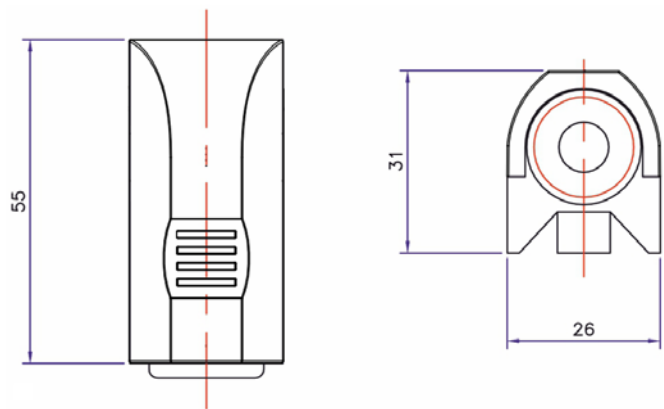
Installation costs are saved by using this sensor as it is designed for quick connection. It comes in a complete set for mounting on the wall. The little box includes: the sensor with grommet for cable sealing, screws, wallplug and a mounting instruction.

**GENERAL TECHNICAL INFORMATION**

Characteristic	Parameter	Value	Unit
Operating temperature	$T_{op}$	-40...60	°C
Resistance tolerance NTC (@60°C)	$\Delta R_R$	±3	%
Insulation resistance	$R_{ins}$	>200	MΩ
Test Voltage (t = 1s)	$V_{test}$	2000	$V_{AC}$

**MEASUREMENTS & MATERIALS**

Housing size (l x w x h) : 55 x 26 x 31 mm  
 Housing material : PC Black / Grey / White  
 Electrical connection : 2 way 0,3 - 1,5 mm<sup>2</sup>  
 cable spring connector



**BOX CONTENTS**

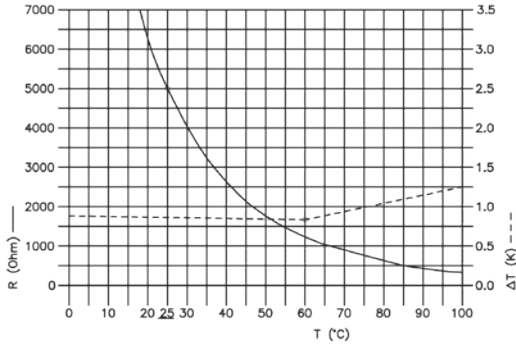
- Sensor
- Short and long screw
- Wall plug
- Mounting instruction



**AVAILABLE SENSOR VALUES**

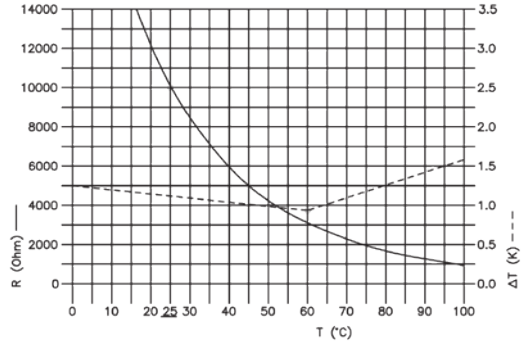
**NTC 5K 3%@60°C B3977**

T(°C)	R(Ohm)
0	16312
5	12691
10	9948
15	7856
20	6246
25	5000
30	4028
35	3285
40	2862
45	2183
50	1799
55	1491
60	1242
65	1039
70	874
75	738
80	626
85	533
90	456
95	391
100	337



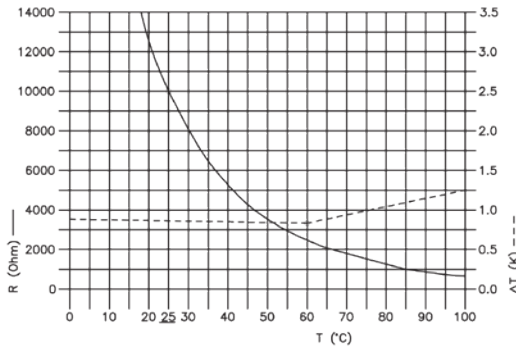
**NTC 10K 3%@60°C B3435**

T(°C)	Rn(Ohm)
0	27700
5	22290
10	18070
15	14740
20	12110
25	10000
30	8300
35	6924
40	5810
45	4896
50	4147
55	3525
60	3011
65	2582
70	2224
75	1922
80	1668
85	1451
90	1267
95	1110
100	975



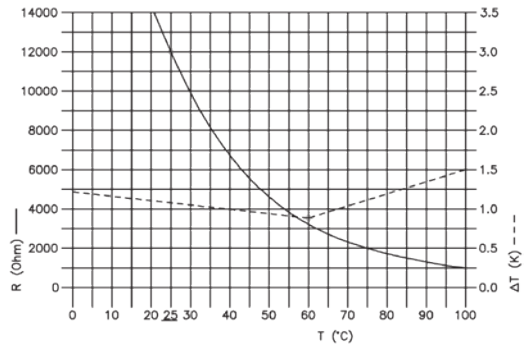
**NTC 10K 3%@60°C B3977**

T(°C)	Rn(Ohm)
0	32624
5	25381
10	19897
15	15711
20	12493
25	10000
30	8056
35	6530
40	5324
45	4365
50	3599
55	2982
60	2483
65	2079
70	1748
75	1476
80	1252
85	1066
90	912
95	782
100	674



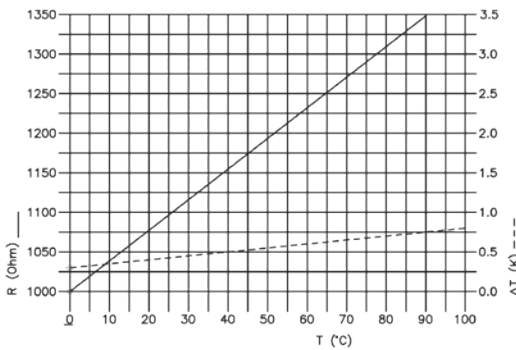
**NTC 12K 3%@60°C B3740**

T(°C)	R(Ohm)
0	36033
5	28562
10	22799
15	18308
20	14796
25	12000
30	9801
35	8060
40	6663
45	5531
50	4615
55	3862
60	3248
65	2749
70	2336
75	1993
80	1707
85	1466
90	1264
95	1095
100	951



**Pt1000 (IEC751, class B)**

T(°C)	R(Ohm)
0	1000
5	1020
10	1039
15	1058
20	1078
25	1097
30	1117
35	1136
40	1155
45	1175
50	1194
55	1213
60	1232
65	1252
70	1271
75	1290
80	1309
85	1328
90	1347
95	1366
100	1385



## ORDERING INFORMATION

Example : TSR 5 2 2 0  
 Outside / Room sensor  
 NTC 5K 3% B3977  
 Grey base  
 Satnadard cap  
 Sequenced no.

TSR

Measuring element	Base colour	Cap type	Sequenced no.
4 = Pt1000 (IEC751, class B)	1 = Black	2 = Standard	customer specific
5 = NTC 5K 3% B3977	2 = Grey		
A = NTC 10K 3% B3977	3 = White		
B = NTC 12K 3% B3740			
D = NTC 10K 3% B3435			

Other measuring elements on request.

Packing quantity and MOQ: 125 pieces