

SERIES 2100

Screw to screw-less terminal strips used for making faster electrical connections inside lighting and electrical appliances.



Raw materials

Moulding: Polyamide 6.6. Cream colour. V0 (according to UL94).

Insert: Steel.



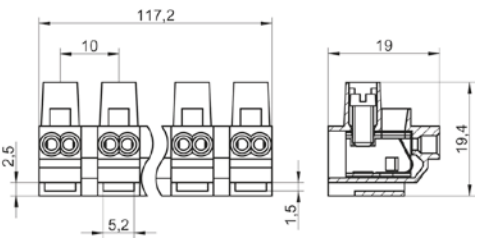




Screws: Zinc-plated steel. Metric thread.

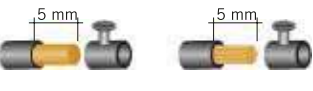

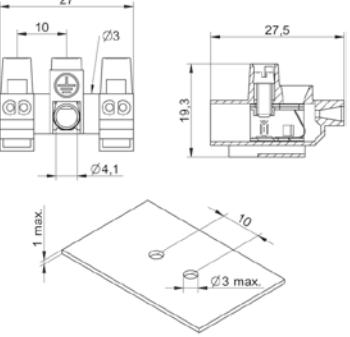






Glow-wire test 960°C according to EN 60695-2-11




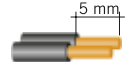




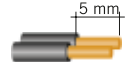




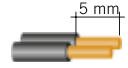




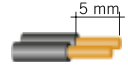




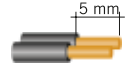

Technical features according to EN 60998



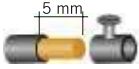
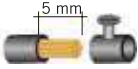
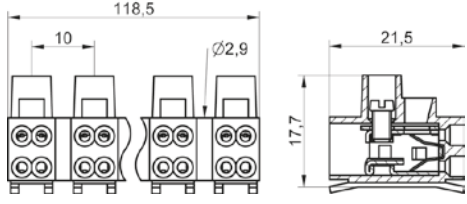

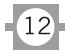
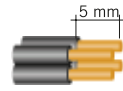


Types **2100** and **2200**: supplied in 12 ways strip. Available pre-cut and printed upon request.



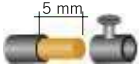
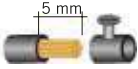
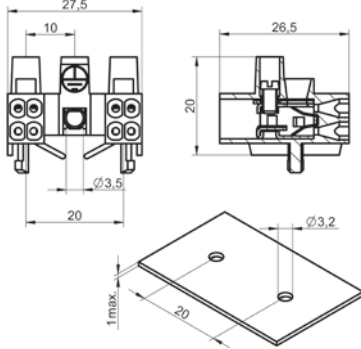


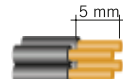

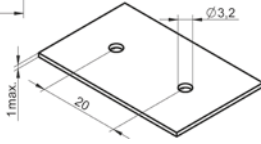

2100	 2,5 mm ² / 1 mm ²	 2 x 1,5 mm ² / 0,75 mm ²		 200 pcs. 437x171x117 mm	 6,8 Kg
				 M 3	 12 ways

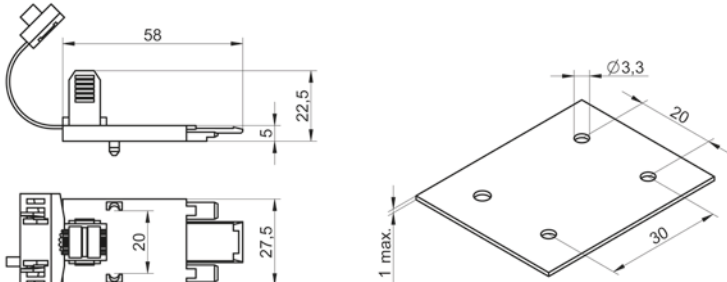



2102	 2,5 mm ² / 1 mm ²	 2 x 1,5 mm ² / 0,75 mm ²		 1.000 pcs. 330x270x230 mm	 9,6 Kg
				 M 3	Standard printing  N L

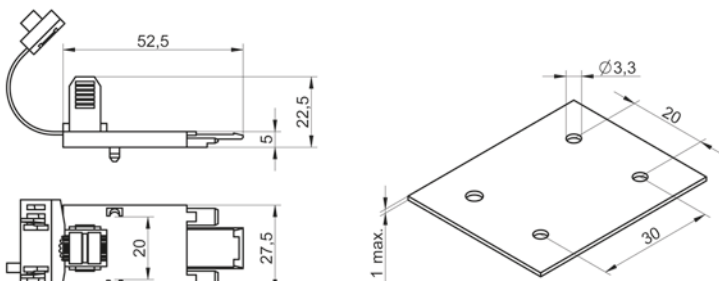



SERIES 2100

<h2>2102 A</h2>		1.000 pcs. 330x270x230 mm 9,7 Kg
 2,5 mm ² / 1 mm ²		 M 3 Standard printing N  L
 2 x 1,5 mm ² / 0,75 mm ²		Voltage 450V Current rating 24A  110°C
<h2>2103</h2>		1.000 pcs. 330x270x230 mm 12,9 Kg
 2,5 mm ² / 1 mm ²		 M 3 Standard printing L1N  L
 2 x 1,5 mm ² / 0,75 mm ²		Voltage 450V Current rating 24A  110°C
<h2>2103 A</h2>		750 pcs. 330x270x230 mm 9,6 Kg
 2,5 mm ² / 1 mm ²		 M 3 Standard printing L1N  L
 2 x 1,5 mm ² / 0,75 mm ²		Voltage 450V Current rating 24A  110°C
<h2>2104</h2>		500 pcs. 330x270x230 mm 7,9 Kg
 2,5 mm ² / 1 mm ²		 M 3 Standard printing L1N  LL1
 2 x 1,5 mm ² / 0,75 mm ²		Voltage 450V Current rating 24A  110°C
<h2>2104 A</h2>		500 pcs. 330x270x230 mm 7,9 Kg
 2,5 mm ² / 1 mm ²		 M 3 Standard printing L1N  LL1
 2 x 1,5 mm ² / 0,75 mm ²		Voltage 450V Current rating 24A  110°C

2200		 200 pcs. 480x194x144 mm		 7,4 Kg	
 5 mm 2,5 mm ² / 1 mm ²	 5 mm 4 x 1,5 mm ² / 0,5 mm ²	 118,5 10 ∅2,9 17,7	 21,5	 M 3	 12 ways
 5 mm 4 x 1,5 mm ² / 0,5 mm ²		Voltage 450V	Current rating 24A	 85°C	

2202		 1.000 pcs. 330x270x230 mm		 9,7 Kg	
 5 mm 2,5 mm ² / 1 mm ²	 5 mm 4 x 1,5 mm ² / 0,5 mm ²	 27,5 10 20 ∅3,5 20	 26,5 20	 M 3	Standard printing  N L
 5 mm 4 x 1,5 mm ² / 0,5 mm ²		 1 max. 20 ∅3,2	Voltage 450V	Current rating 24A	 85°C

ST/1 Strain relief clamp (for clamping and fixing external conductors in lighting fixtures).		
Types 2102, 2103 and 2104	 58 22,5 5 20 27,5	 1 max. ∅3,3 20 30
Polyamide 6. Natural colour		
 500 pcs. 330x270x230 mm		
 2,7 Kg		

ST/2 Strain relief clamp (for clamping and fixing external conductors in lighting fixtures).		
Type 2202	 52,5 22,5 5 20 27,5	 1 max. ∅3,3 20 30
Polyamide 6. Natural colour		
 500 pcs. 330x270x230 mm		
 2,7 Kg		