

SERIES 2100

Screw to screw-less terminal strips used for making faster electrical connections inside lighting and electrical appliances.



Raw materials

Moulding: Polyamide 6.6. Cream colour. V0 (according to UL94).

Insert: Steel.



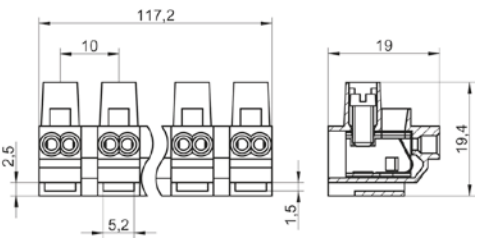





Screws: Zinc-plated steel. Metric thread.



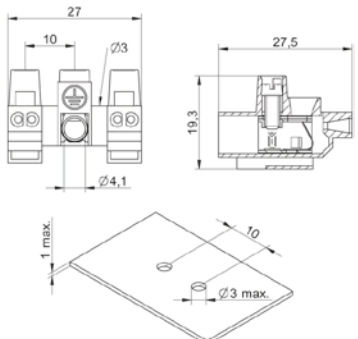







Glow-wire test 960°C according to EN 60695-2-11

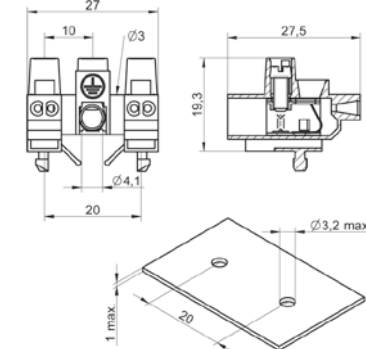




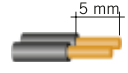




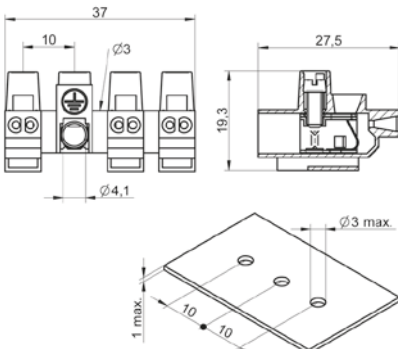





















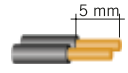








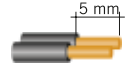



Technical features according to EN 60998



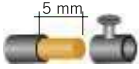
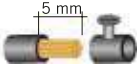
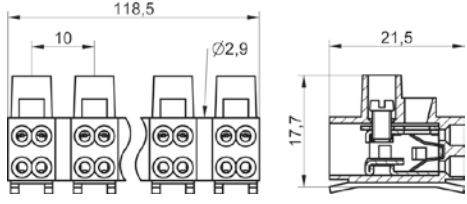



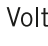

Types **2100** and **2200**: supplied in 12 ways strip. Available pre-cut and printed upon request.



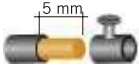
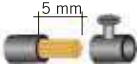
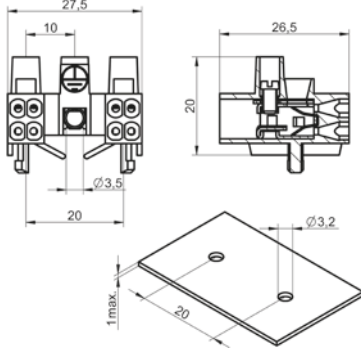


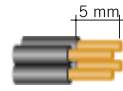
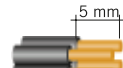
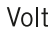
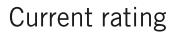
2100  2,5 mm ² / 1 mm ²  2 x 1,5 mm ² / 0,75 mm ²		 200 pcs. 437x171x117 mm	 6,8 Kg	
		 M 3	 12 ways	
		Voltage 450V	Current rating 24A	 110°C

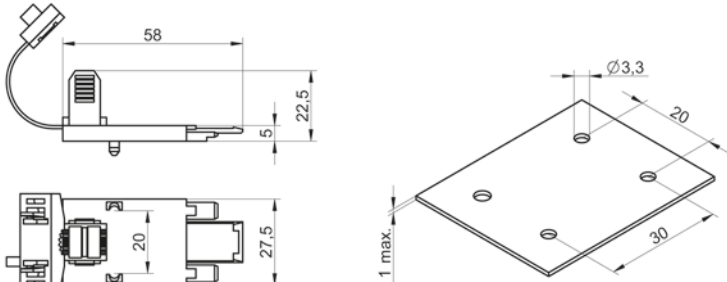


2102  2,5 mm ² / 1 mm ²  2 x 1,5 mm ² / 0,75 mm ²		 1.000 pcs. 330x270x230 mm	 9,6 Kg	
		 M 3	Standard printing  N L	
		Voltage 450V	Current rating 24A	 110°C

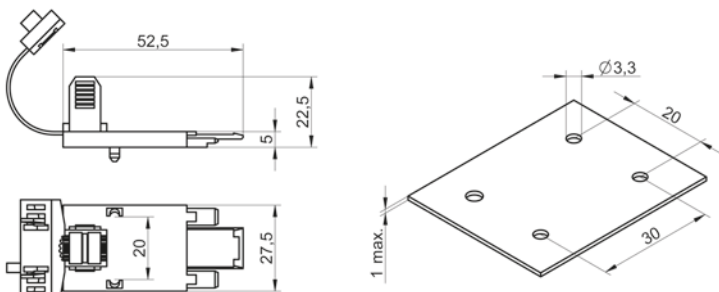


SERIES 2100

2102 A		 1.000 pcs. 330x270x230 mm  9,7 Kg					
 2,5 mm ² / 1 mm ²		 M 3 <table border="1" data-bbox="1236 300 1503 439"> <tr> <td colspan="2">Standard printing</td> </tr> <tr> <td>N</td> <td>L</td> </tr> </table>	Standard printing		N	L	
Standard printing							
N	L						
 2 x 1,5 mm ² / 0,75 mm ²		<table border="1" data-bbox="970 445 1503 582"> <tr> <td>Voltage</td> <td>Current rating</td> <td rowspan="2">  110°C </td> </tr> <tr> <td>450V</td> <td>24A</td> </tr> </table>	Voltage	Current rating	 110°C	450V	24A
Voltage	Current rating	 110°C					
450V	24A						
2103		 1.000 pcs. 330x270x230 mm  12,9 Kg					
 2,5 mm ² / 1 mm ²		 M 3 <table border="1" data-bbox="1236 685 1503 824"> <tr> <td colspan="2">Standard printing</td> </tr> <tr> <td>L1N</td> <td>L</td> </tr> </table>	Standard printing		L1N	L	
Standard printing							
L1N	L						
 2 x 1,5 mm ² / 0,75 mm ²		<table border="1" data-bbox="970 831 1503 967"> <tr> <td>Voltage</td> <td>Current rating</td> <td rowspan="2">  110°C </td> </tr> <tr> <td>450V</td> <td>24A</td> </tr> </table>	Voltage	Current rating	 110°C	450V	24A
Voltage	Current rating	 110°C					
450V	24A						
2103 A		 750 pcs. 330x270x230 mm  9,6 Kg					
 2,5 mm ² / 1 mm ²		 M 3 <table border="1" data-bbox="1236 1079 1503 1218"> <tr> <td colspan="2">Standard printing</td> </tr> <tr> <td>L1N</td> <td>L</td> </tr> </table>	Standard printing		L1N	L	
Standard printing							
L1N	L						
 2 x 1,5 mm ² / 0,75 mm ²		<table border="1" data-bbox="970 1225 1503 1361"> <tr> <td>Voltage</td> <td>Current rating</td> <td rowspan="2">  110°C </td> </tr> <tr> <td>450V</td> <td>24A</td> </tr> </table>	Voltage	Current rating	 110°C	450V	24A
Voltage	Current rating	 110°C					
450V	24A						
2104		 500 pcs. 330x270x230 mm  7,9 Kg					
 2,5 mm ² / 1 mm ²		 M 3 <table border="1" data-bbox="1236 1473 1503 1612"> <tr> <td colspan="2">Standard printing</td> </tr> <tr> <td>L1N</td> <td>LL1</td> </tr> </table>	Standard printing		L1N	LL1	
Standard printing							
L1N	LL1						
 2 x 1,5 mm ² / 0,75 mm ²		<table border="1" data-bbox="970 1619 1503 1756"> <tr> <td>Voltage</td> <td>Current rating</td> <td rowspan="2">  110°C </td> </tr> <tr> <td>450V</td> <td>24A</td> </tr> </table>	Voltage	Current rating	 110°C	450V	24A
Voltage	Current rating	 110°C					
450V	24A						
2104 A		 500 pcs. 330x270x230 mm  7,9 Kg					
 2,5 mm ² / 1 mm ²		 M 3 <table border="1" data-bbox="1236 1868 1503 2007"> <tr> <td colspan="2">Standard printing</td> </tr> <tr> <td>L1N</td> <td>LL1</td> </tr> </table>	Standard printing		L1N	LL1	
Standard printing							
L1N	LL1						
 2 x 1,5 mm ² / 0,75 mm ²		<table border="1" data-bbox="970 2013 1503 2150"> <tr> <td>Voltage</td> <td>Current rating</td> <td rowspan="2">  110°C </td> </tr> <tr> <td>450V</td> <td>24A</td> </tr> </table>	Voltage	Current rating	 110°C	450V	24A
Voltage	Current rating	 110°C					
450V	24A						

2200		 200 pcs. 480x194x144 mm		 7,4 Kg	
 5 mm 2,5 mm ² / 1 mm ²	 5 mm 4 x 1,5 mm ² / 0,5 mm ²				
 5 mm 4 x 1,5 mm ² / 0,5 mm ²		 M 3	 12 ways	 Voltage 450V	 Current rating 24A

2202		 1.000 pcs. 330x270x230 mm		 9,7 Kg	
 5 mm 2,5 mm ² / 1 mm ²	 5 mm 4 x 1,5 mm ² / 0,5 mm ²				
 5 mm 4 x 1,5 mm ² / 0,5 mm ²		 M 3	 Standard printing N  L	 Voltage 450V	 Current rating 24A

ST/1 Strain relief clamp (for clamping and fixing external conductors in lighting fixtures).	
Types 2102, 2103 and 2104	
Polyamide 6. Natural colour	
 500 pcs. 330x270x230 mm	
 2,7 Kg	

ST/2 Strain relief clamp (for clamping and fixing external conductors in lighting fixtures).	
Type 2202	
Polyamide 6. Natural colour	
 500 pcs. 330x270x230 mm	
 2,7 Kg	